

RR **RR**
RACE EDITION

250 / 300

2 Stroke



2020-2021
WORKSHOP MANUAL





INTRODUCTION	2
ENGINE TECHNICAL SPECIFICATIONS	4
SPECIAL EQUIPMENT	5
1 ENGINE REMOVAL FROM VEHICLE	6
2 ENGINE DISASSEMBLY	17
2.1 CLUTCH/GEAR OIL DRAIN.....	17
2.2 REMOVAL OF CLUTCH CONTROL ROD AND PINION SPACER	17
2.3 REMOVAL OF PISTON, CYLINDER AND HEAD	18
2.4 REMOVAL OF IGNITION UNIT.....	21
2.4.1 REMOVAL OF FLYWHEEL COVER	21
2.4.2 STATOR REMOVAL.....	21
2.4.3 REMOVAL OF FLYWHEEL.....	22
2.4.4 REMOVAL OF PICK-UP UNIT.....	22
2.5 REMOVAL OF ELECTRIC IGNITION	23
2.5.1 REMOVAL OF START MOTOR.....	24
2.5.2 REMOVAL OF BENDIX COUPLING.....	24
2.6 REMOVAL OF COOLANT LIQUID PUMP, CLUTCH UNIT, MAIN GEAR, CENTRIFUGAL UNIT, GEARSHIFT ORGANS, KICKSTART	25
2.6.1 REMOVAL OF COOLANT LIQUID PUMP	28
2.6.2 REMOVAL OF CENTRIFUGAL UNIT AND LEVERAGE	29
2.6.3 DISASSEMBLY OF CLUTCH UNIT AND COUNTERSHAFT COUNTERWEIGHT	32
2.6.4 PEDAL KICKSTART - OPTIONAL.....	35
2.6.5 EXTERNAL GEARSHIFT UNIT	37
2.7 INTAKE SYSTEM.....	38

2.8 CRANKSHAFT, GEARBOX UNIT AND INTERNAL GEARSHIFT	39
2.8.1 OPENING THE CRANKCASE	39
2.8.2 COUNTERWEIGHT SUPPORT SHAFT.....	40
2.8.3 CRANKSHAFT.....	40
2.8.4 INTERNAL GEARSHIFT UNIT AND COMPLETE GEARBOX	41
2.9 DISASSEMBLY OF PARTS FROM CRANKCASES.....	43
2.9.1 RIGHT CRANKCASE HALF	43
2.9.2 LEFT CRANKCASE HALF.....	45

3 ENGINE CHECKS AND ASSEMBLY 46

3.1 CRANKCASE HALF.....	46
3.1.1 APPLICATION OF RIGHT CRANKCASE HALF PARTS.....	47
3.1.2 APPLICATION OF LEFT CRANKCASE HALF PARTS	49
3.2 CONNECTING ROD AND ENGINE SHAFT CHECK ...	50
3.3 ASSEMBLY OF COMPLETE CRANKSHAFT	51
3.4 GEAR UNIT: CHECKS AND REASSEMBLY	52
3.4.1 GEARBOX UNIT CHECK	52
3.4.2 PRIMARY UNIT ASSEMBLY.....	53
3.4.3 SECONDARY UNIT ASSEMBLY.....	54
3.4.4 CHECKING THE FORKS, FORK PINS AND DESMODROMIC DEVICE	55
3.4.5 GEARBOX AND INTERNAL GEARSHIFT ASSEMBLY.....	57
3.4.6 COUNTERWEIGHT SUPPORT SHAFT.....	60
3.5 CLOSING THE ENGINE CRANKCASE	61
3.6 EXTERNAL GEARSHIFT.....	62
3.6.1 CHECKING THE COMPLETE DRIVE SHAFT	62
3.6.2 EXTERNAL GEARSHIFT ASSEMBLY	64
3.7 KICKSTARTER DEVICE - OPTIONAL.....	65
3.7.1 CHECKING THE KICKSTART SHAFT UNIT AND ASSEMBLY ..	65
3.7.2 ASSEMBLY OF KICKSTARTER DEVICE.....	66
3.8 COUNTERWEIGHT, PRIMARY GEAR AND CLUTCH UNIT	68
3.8.1 INSPECTION OF COUNTERWEIGHT AND PRIMARY GEAR.....	68
3.8.2 APPLICATION OF PRIMARY GEAR AND COUNTERWEIGHT	68
3.8.3 CHECKING THE CLUTCH CASE, ROLLER BEARING AND INTERNAL CENTRE BEARING	70
3.8.4 CHECKING THE CLUTCH DISCS.....	71
3.8.5 CHECKING THE SPRINGS.....	71
3.8.6 CHECKING THE CLUTCH DRUM AND CAP	72
3.8.7 CHECKING THE THRUST BEARING DEVICE.....	72
3.8.8 CLUTCH UNIT ASSEMBLY.....	73
3.9 COOLANT LIQUID PUMP AND CENTRIFUGAL UNIT...76	
3.9.1 CHECKING THE PUMP UNIT AND DISASSEMBLY, CENTRIFUGAL UNIT AND IDLER UNIT	77
3.9.2 CENTRIFUGE UNIT GROUP ASSEMBLY	78
3.9.3 PUMP UNIT ASSEMBLY	81
3.9.4 ASSEMBLY OF COMPLETE CLUTCH COVER AND PUMP UNIT	81



3.10	ELECTRIC IGNITION UNIT	84
3.10.1	BENDIX COUPLING CHECKS.....	84
3.10.2	IGNITION UNIT COUPLING TO ENGINE	84
3.11	IGNITION SYSTEM.....	85
3.11.1	IGNITION SYSTEM CHECK	86
3.11.2	COUPLING OF IGNITION SYSTEM TO CRANKCASE	86
3.12	THERMAL UNIT	89
3.12.1	CHECKING THE PISTON AND ELASTIC BANDS	89
3.12.2	CYLINDER CHECK.....	90
3.12.3	PISTON CYLINDER COUPLING PLAY	91
3.12.4	CHECKS AND EXHAUST VALVE UNIT DISASSEMBLY.....	91
3.12.5	EXHAUST VALVE	93
	UNIT ASSEMBLY.....	93
3.12.6	PISTON, PIN BOLT, ELASTIC BANDS AND CYLINDER ASSEMBLY	95
3.12.7	CHECK OF CRANKCASE/CYLINDER GASKET THICKNESS..	97
3.12.8	HEAD APPLICATION.....	98
3.12.9	EXHAUST VALVE	99
	ADJUSTMENT	99
3.13	CHECK OF INTAKE UNIT AND ASSEMBLY	103
3.14	INSERTION OF CLUTCH ROD AND PINION SPACER	105

4 ENGINE REASSEMBLY IN THE VEHICLE 106

TABLE OF ENGINE COMPONENTS TIGHTENING TORQUES 116

TABLE OF FRAME/ENGINE TIGHTENING TORQUES 118

TABLE OF SUPERSTRUCTURE TIGHTENING TORQUES 118

RECOMMENDED ENGINE MAINTENANCE 119

INTRODUCTION

This publication is intended for workshops specialised in repairing mopeds and motorcycles. Where required, use special Betamotor tools.

Use Betamotor spare parts only. For their codes refer to the spare parts manual for the specific vehicle or version.

The warranty and liability on vehicle safety lapses when maintenance or repairs:

- Are **NOT** performed by workshops specialised in repairing mopeds and motorcycles;
- Are **NOT** carried out carefully following the requirements contained in the technical documentation;
- Are **NOT** carried out using special Betamotor tools, where required;
- Are **NOT** carried out using Betamotor official spare parts.

Carefully read this manual in its entirety before working on the engine. Good knowledge of all components making up the engine and all the procedures to be followed for inspection and maintenance help extend the life of the engine.

The paragraphs feature schematic illustrations highlighting each topic in order to make the text immediately understandable.

Informative note

Betamotor S.p.A. is committed to a policy of ongoing improvement of its products. This is why you might notice slight differences between the content of this document and the vehicle on which you are about to carry out repairs and/or maintenance. Betamotor S.p.A. models are exported to a number of countries where there are different rules concerning the Highway Code and vehicle type-approval procedures. Betamotor S.p.A. therefore reserves the right to modify its products and technical documentation at any time without prior notice, thank you for your understanding.

We respect and defend the environment

Everything we do has an impact on the whole Planet and its Resources. To safeguard the interests of the entire Community, Betamotor S.p.A. would like to raise the awareness of customers and technical service operators on ways of using the vehicle and disposing of its parts entirely in compliance with applicable regulations in terms of environmental pollution, waste disposal and recycling.

SAFETY

Carbon monoxide

- Exhaust gases contain carbon monoxide, which is poisonous. Carbon monoxide may cause loss of consciousness and lead to death. If the engine needs to be started, make sure the location is well-ventilated. Never start the engine indoors.
- The engine can be started indoors only if fitted with the appropriate exhaust gas extraction devices.

Petrol

- Petrol is extremely flammable and can be explosive under certain conditions.
- Keep sources of heat, sparks and flames away from the work area.
- Always work in a well-ventilated area.
- Never use petrol as a solvent for cleaning. Do not handle it unless strictly necessary.
- Never use petrol to clean components by means of compressed air.
- Keep out of the reach of children.

Engine oil

- Motor oil can cause skin conditions if it remains in contact with the skin often and for prolonged periods.
- In case of contact with engine oil, wash with soap and water as soon as possible.
- In case of contact with the eyes, rinse them with plenty of water and seek medical advice.
- If swallowed, do not induce vomiting in order to prevent the product from entering into the lungs; seek immediate medical advice. If you believe the product has entered the lungs, take the person concerned to hospital immediately.
- Waste oil contains dangerous substances that are harmful for the environment. In order to change it one must be equipped for disposal, in compliance with applicable laws.
- Do not discard waste oil into the environment.
- Keep out of the reach of children.



Coolant liquid

- In some situations, the ethylene glycol contained in the coolant is flammable and its flame is invisible. Should ethylene glycol catch fire, it can cause burns even though its flame is invisible.
- Do not bring the coolant into contact with hot parts. These parts could be hot enough to cause the liquid to ignite.
- The coolant (ethylene glycol) may irritate the skin and is poisonous if swallowed.
- Should the coolant come into contact with the skin, immediately remove contaminated clothing or footwear and wash with soap and water. In the event of contact with the eyes, rinse with plenty of clean water and seek medical advice immediately. Should it be swallowed, do not induce vomiting in order to prevent the product from entering the lungs. Administer clean water, immediately take the person concerned to hospital, and show this product to hospital staff.
- In the event of exposure to a high concentration of vapours, move the person concerned to an uncontaminated area and seek medical advice if necessary.

- Do not remove the radiator cap when the engine is still hot. Since the coolant is pressurised, it may spurt out violently and cause burns.
- The coolant contains dangerous substances that are harmful for the environment. In order to change it one must be equipped for disposal in compliance with applicable laws.
- Do not disperse coolant into the environment.
- Keep out of the reach of children.

Hot parts

- The engine and the exhaust system get very hot and remain at that temperature for a long time, even after the engine has been turned off. Wait for them to cool down before handling these parts or carrying out work on areas around them. Wear insulated gloves.

WARNINGS

The information contained in this paragraph is important to ensure the operations carried out on the engine are performed without causing damage.

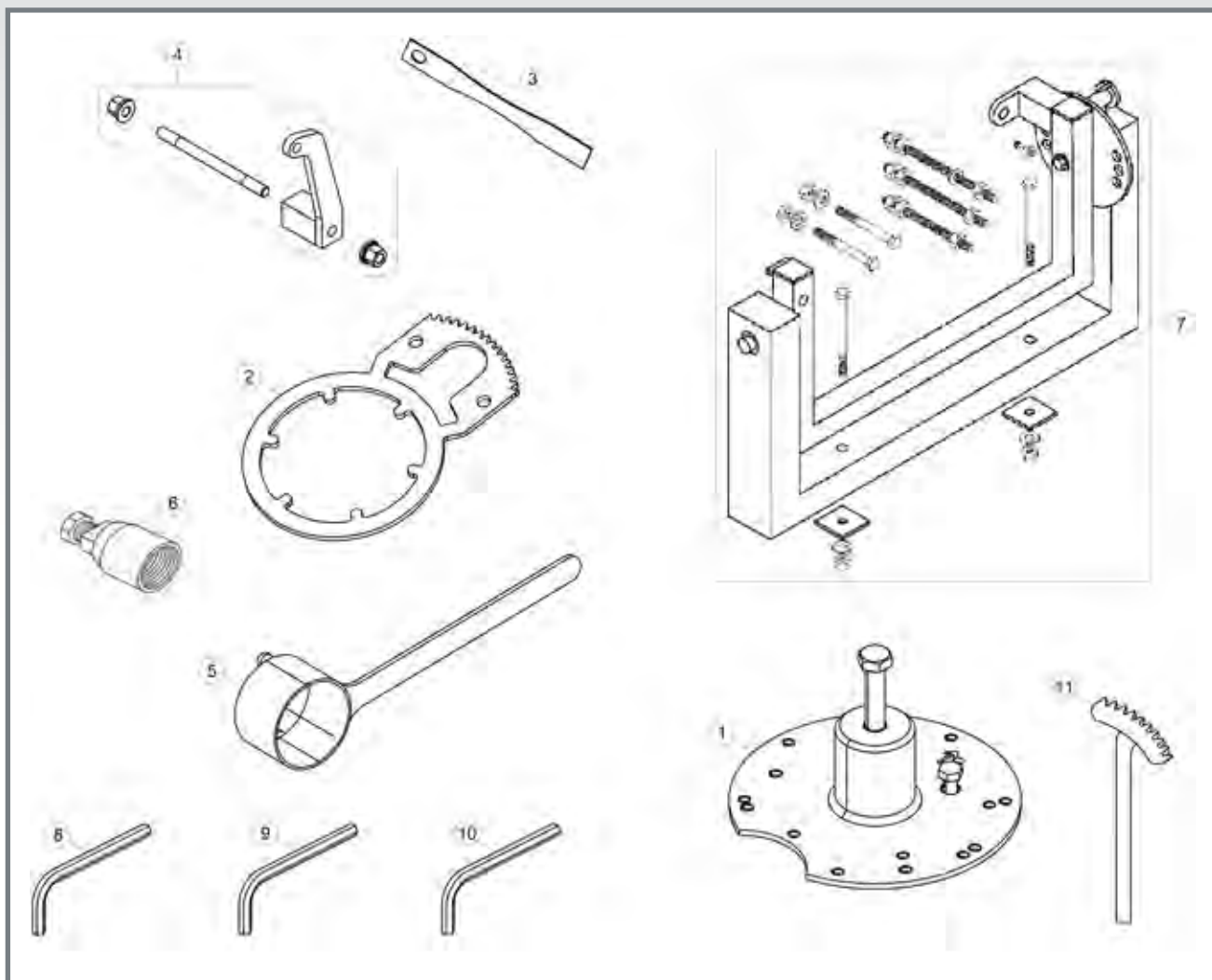
- Before disassembly, thoroughly clean the motorcycle.
- While disassembling it, clean all the parts and place them in containers accurately following the order of disassembly.
- Always use special tools wherever necessary and when required.
- Always use glues, sealant and lubricants wherever required. Follow the indications concerning their technical features.
- Always replace parts such as gaskets, O-rings and safety washers with newly supplied parts.
- When loosening or tightening nuts or screws, always start with the larger ones or from the centre. Always adhere to the specified tightening torques.
- Use only Betamotor original spare parts.



ENGINE TECHNICAL SPECIFICATIONS

CHARACTERISTIC DATA	ENGINE	
	RR250	RR300
Bore [mm]/Stroke [mm]	66.4/72	72/72
Displacement [cm ³]	249	293
Compression ratio	13.2:1	11.9:1
TRANSMISSION		
	RR250	RR300
Primary	27/72	27/72
1st gear ratio	12/31	12/31
2nd gear ratio	15/28	15/28
3rd gear ratio	19/28	19/28
4th gear ratio	20/24	20/24
5th gear ratio	27/27	27/27
6th gear ratio	28/24	28/24

SPECIAL EQUIPMENT



1. Complete EVO 2T crankcase uncoupler 007.14.010.80.00
2. Special wrench 029.14.002.50.00
3. Squish measuring tool 026.14.010.00.00
4. Front bracket for fastening engine to stand 026.14.003.00.00
5. Flywheel blocking tool 026.14.005.50.00
6. Flywheel extractor 36.25173.000
7. EXC engine universal assembly equipment 36.25132.000
8. Special wrench 026.44.029.00.00
9. Special wrench 026.44.028.00.00
10. Special wrench 007.44.035.00.00
11. Special wrench 026.14.012.50.00.

Symbols



Value
Tightening torque



Threadlocker
medium-resistance



High-resistance
threadlocker



Silicone paste



Grease

1 ENGINE REMOVAL FROM VEHICLE



- Carefully wash the vehicle;
- Remove the engine guard plate;
- Place the vehicle on an adequate stand.

To dismantle the tank from the vehicle it is necessary to remove the seat, disconnect the tank ventilation pipe, position the fuel valve on OFF and disconnect the fuel pipe from the valve.

ATTENTION!

Perform the operation with the engine cold and in a well-ventilated area.

ATTENTION!

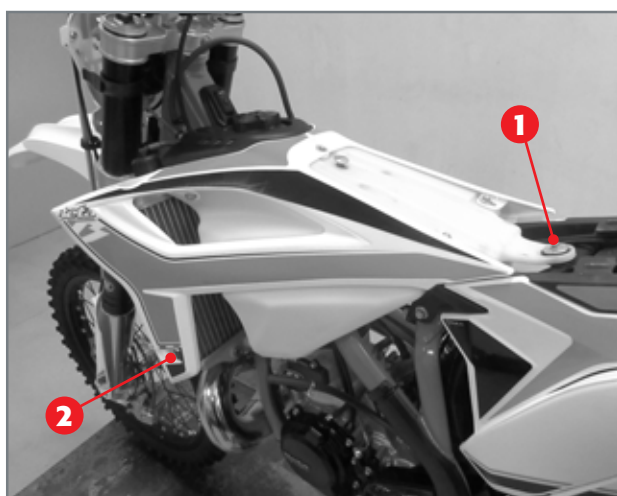
Fire hazard! Fuel is easily flammable.



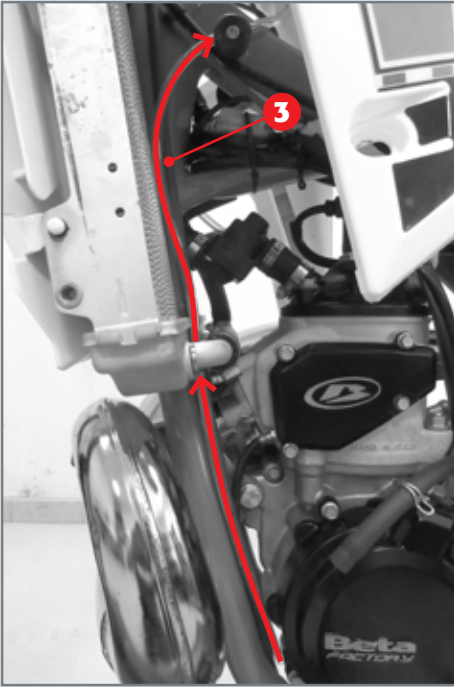
Do not carry out the operation near open flames or lit cigarettes and always turn off the engine.



Wipe off any traces of spilled fuel immediately.

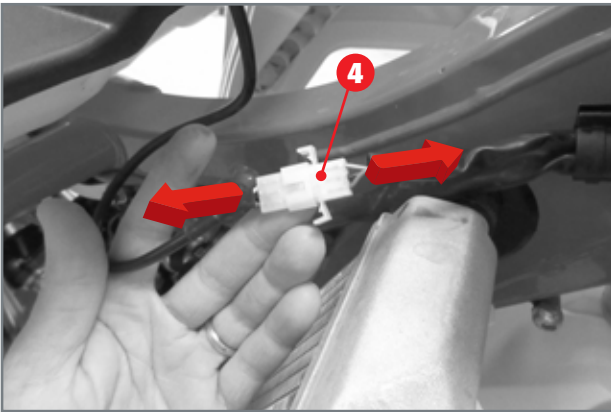


Remove the screw 1 fastening the tank to the frame, and the screws 2 (one per side) fastening the side panel to the radiator.



Lift the tank slightly and:

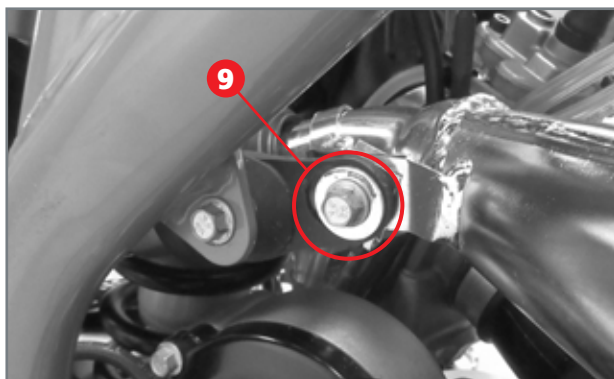
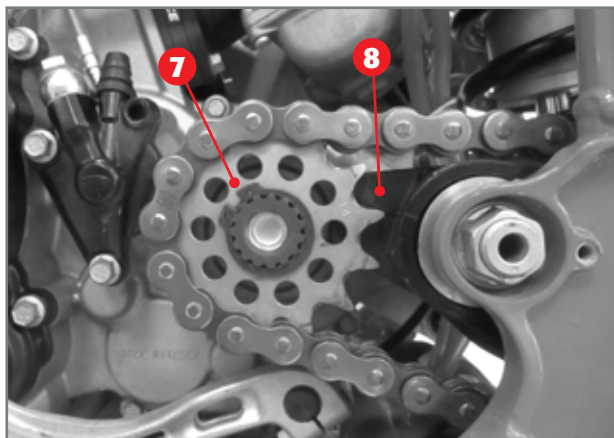
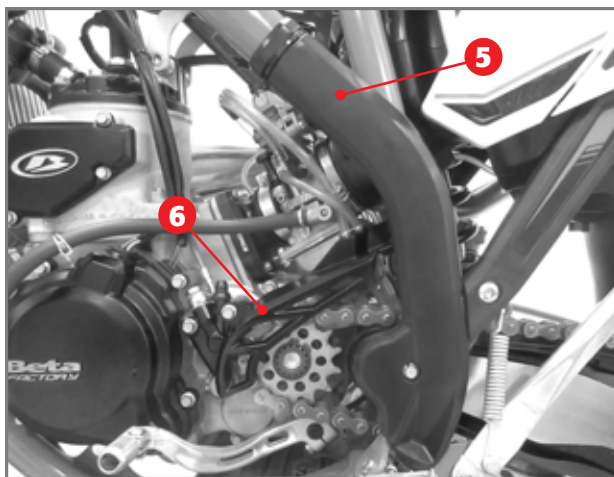
- remove pipe 3



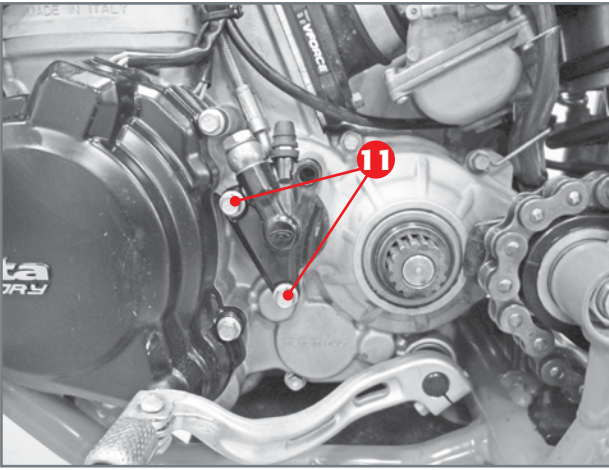
- disconnect the connector 4



Lift the tank from the back and remove it backwards.



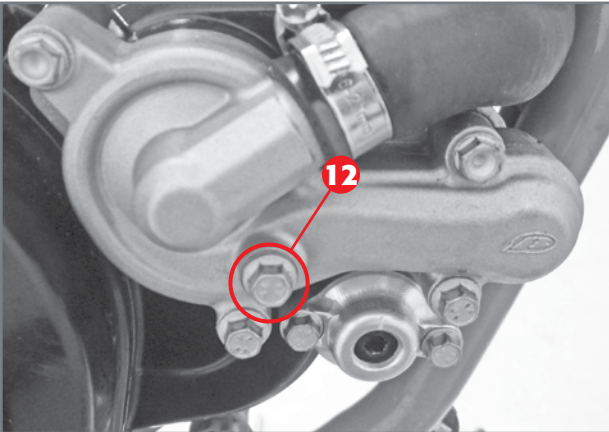
- Remove the frame guards **5** (one on each side) and the pinion guard **6**.
- Remove the circlip **7** and extract the pinion. Rest the chain against the upper wedge **8**.
- Remove the screw **9**.
- Remove the screws **10**.
- Remove the silencer from the vehicle.
- Remove the exhaust pipe.



- Remove the screws **11** fastening the clutch actuator to the crankcase half.

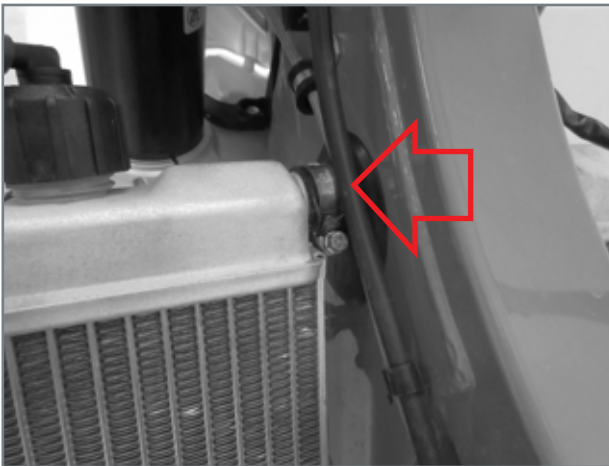
ATTENTION!

Do not operate the clutch lever with the actuator uncoupled from the engine.

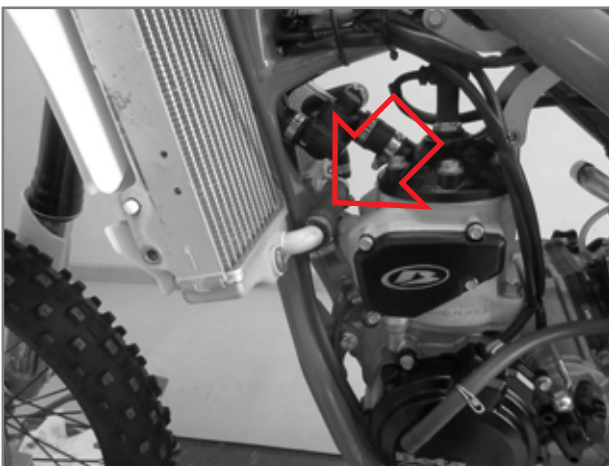


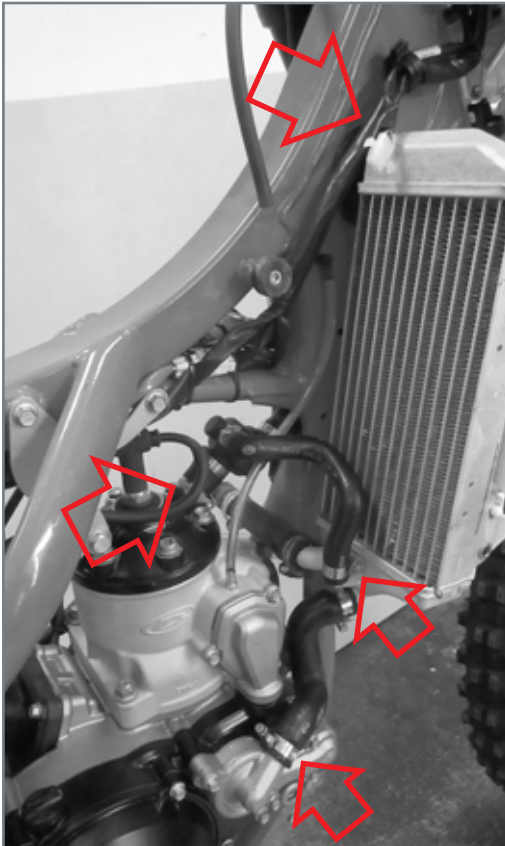
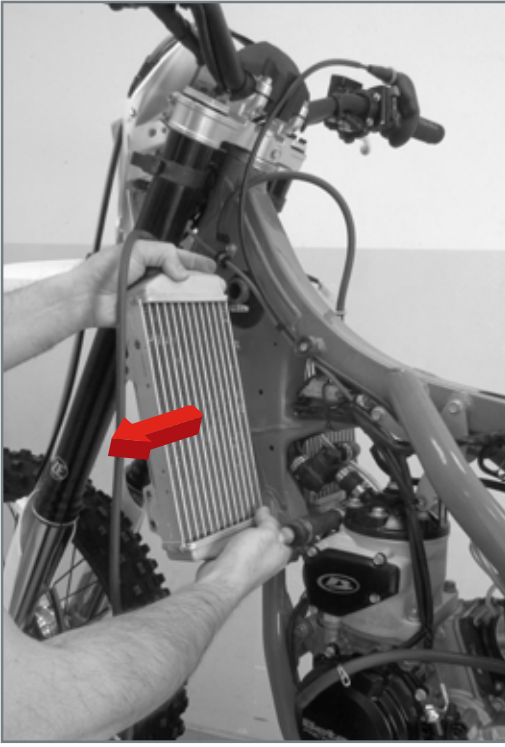
- Drain the cooling system through the screw **12** and let the liquid outflow into a container (the cooling circuit contains 1.3l of liquid). Remove the radiator cap.

Note: *To make the circuit easier to empty, it is advisable to slightly tilt the vehicle on the left side.*



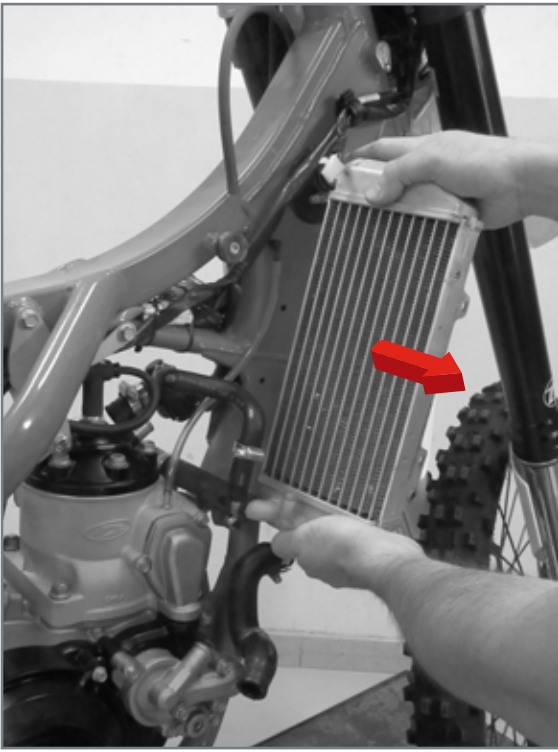
- Remove the protection grids from the radiators.
- Disconnect the water hoses from the engine and from the left radiator.



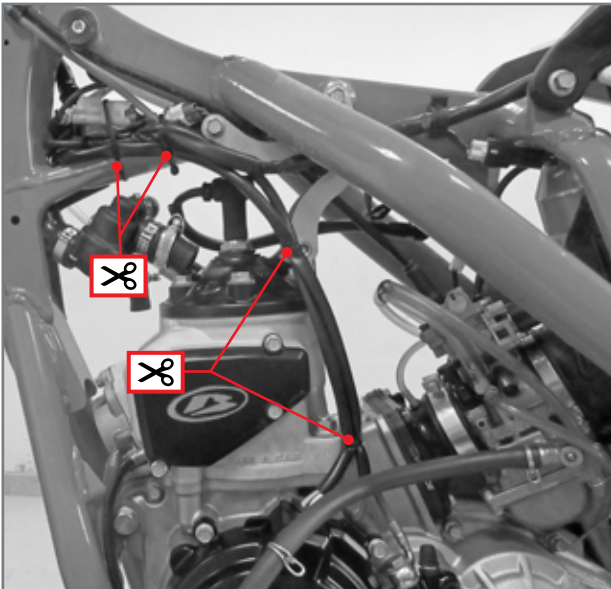


- Remove the fixing screws and remove the left radiator.

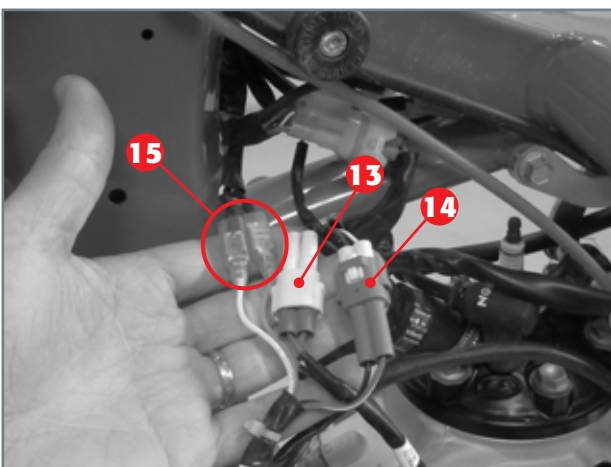
- Disconnect the water hoses from the engine and from the right radiator.



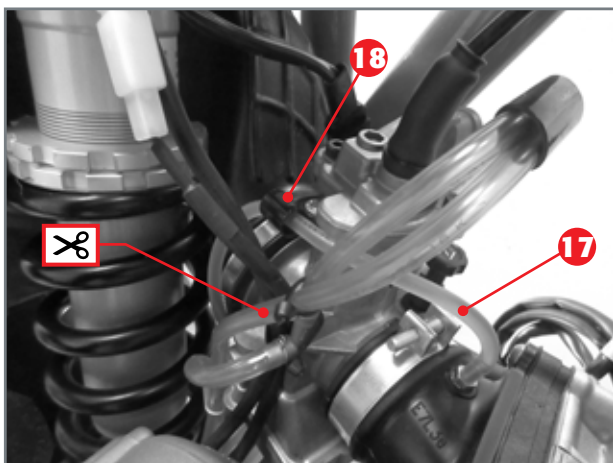
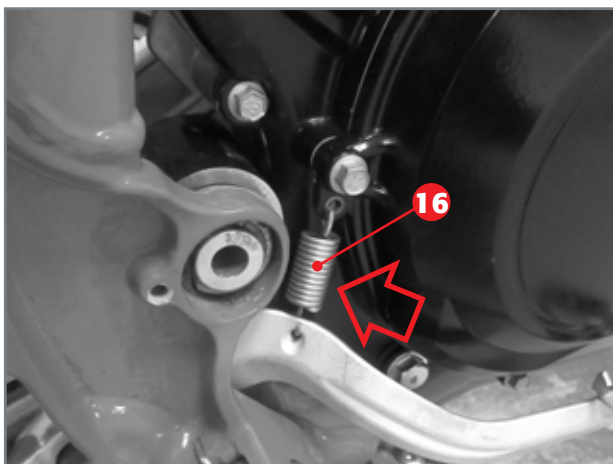
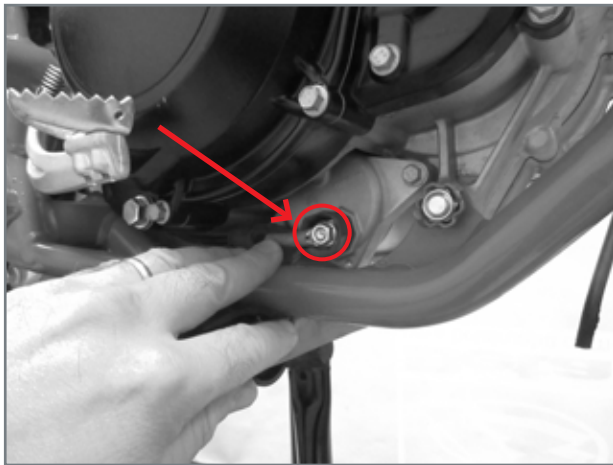
- Remove the fixing screws and remove the right radiator.



- Disconnect the spark plug cap.
- Cut all straps binding the engine's electric system to the clutch pipe and to the frame.



- Release the connectors **13**, **14**, **15** of the engine ignition unit and disconnect them from the electrical system.



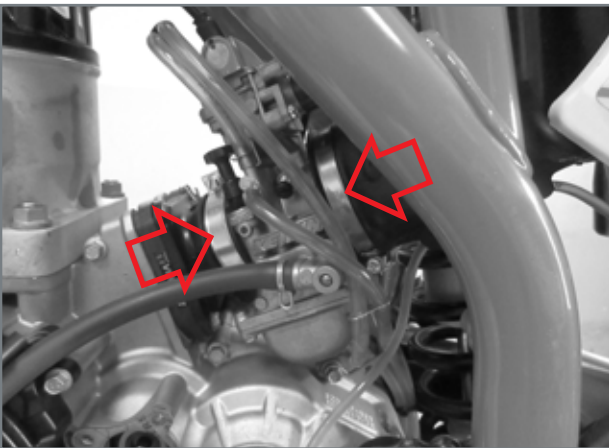
- Remove the starter motor cable fixing nut.
- Remove the head connections and spark plug.

Note: It is advisable to insert a clean cloth into the spark plug housing in order to prevent accidental introduction of dirt into the cylinder.

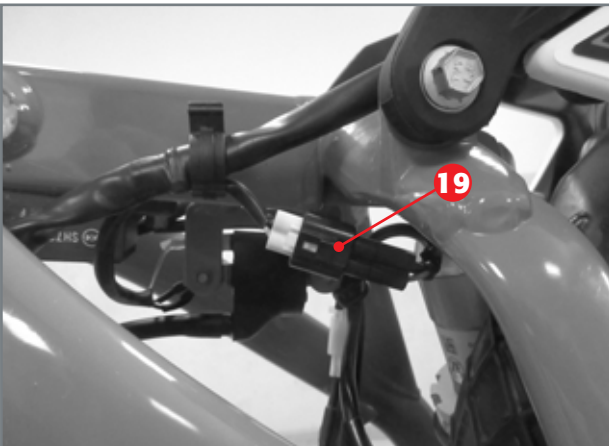
- Release and remove the brake pedal return spring **16**. Remove the kickstarter lever (optional).
- Remove the gear lever.
- Pull out the mixer tube **17** from the intake manifold and tube hole **18**.

**ATTENTION!**

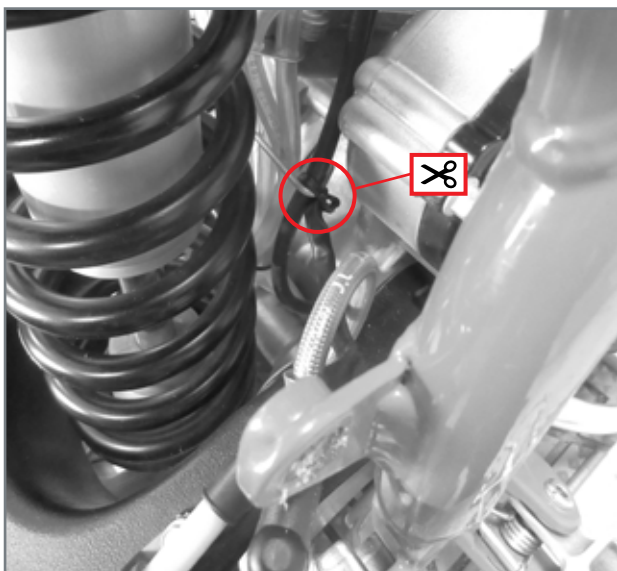
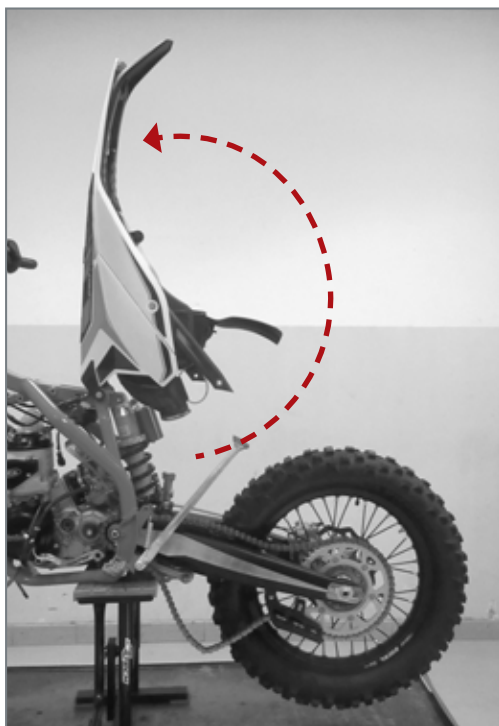
When the mixer tube has been disconnected, plug it to prevent emptying.



- Loosen the carburettor straps from the air filter sleeve and from the manifold.



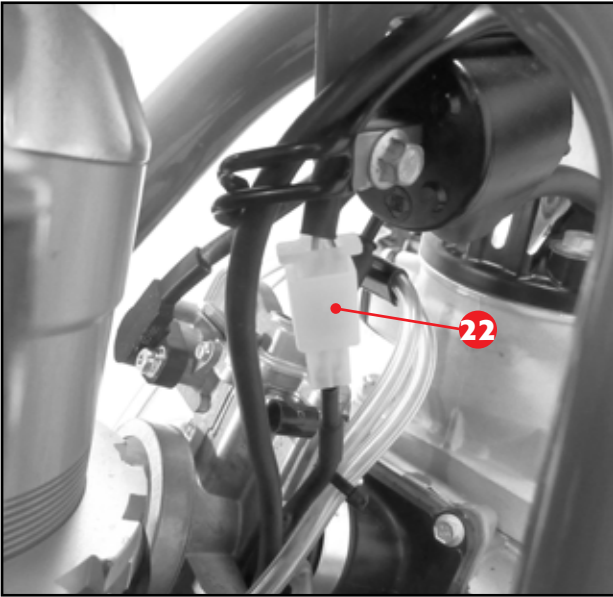
- Disconnect the connector 19.



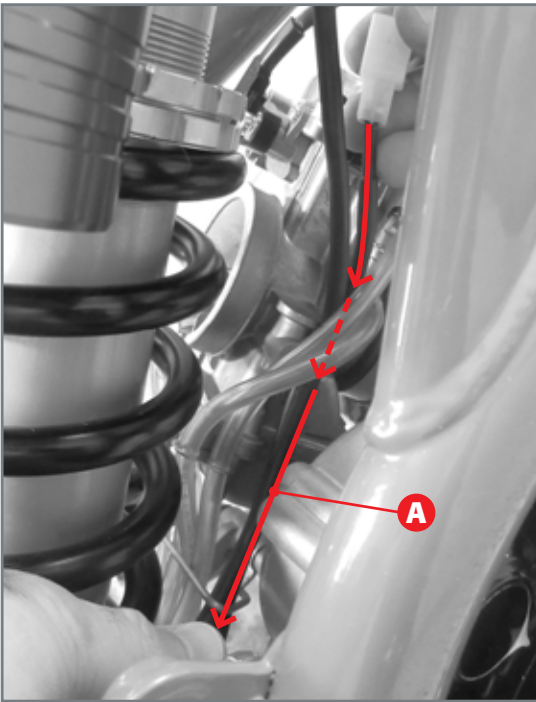
- Remove the subframe lower fixing screws **20** (one on each side) and loosen the upper screws **21** (one on each side).

- Rotate the entire filter box unit.
- Remove the carburettor, leaving it connected to the gas cable.

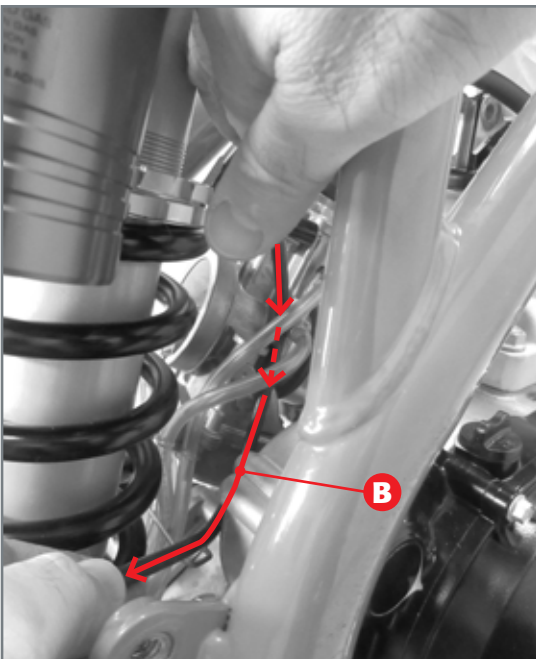
- Cut the clamp shown.

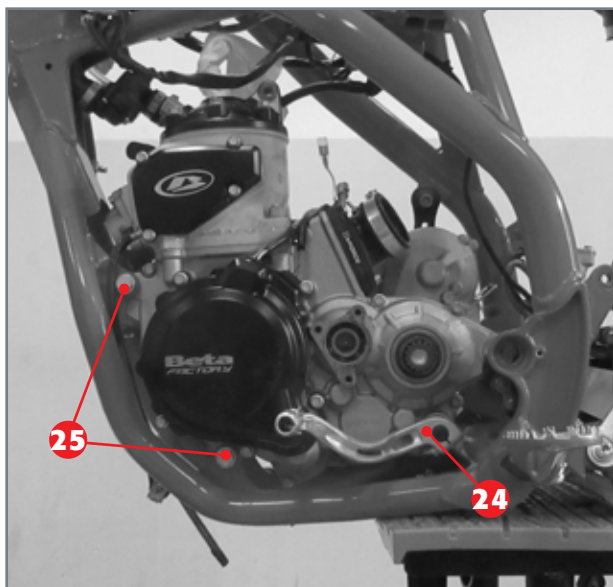
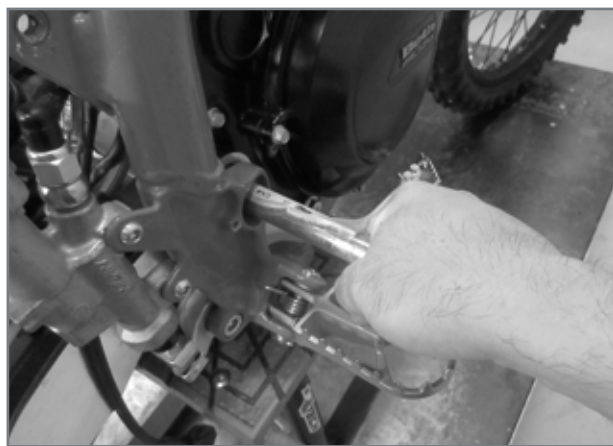
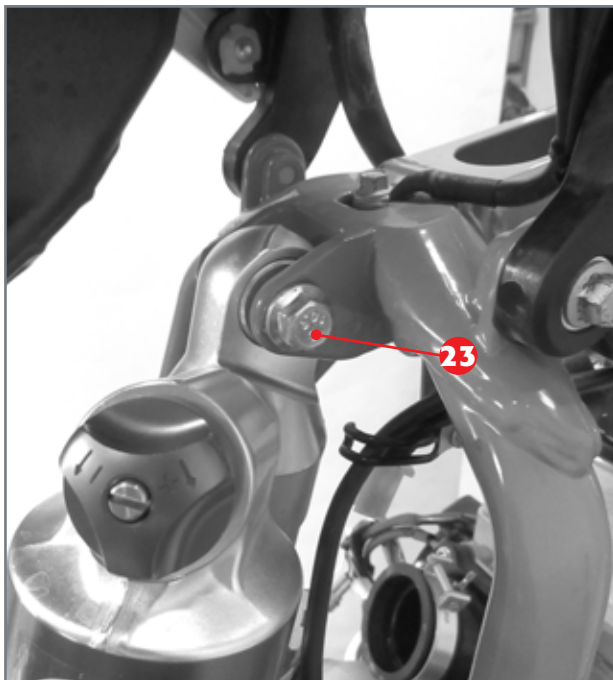


- Disconnect the connector **22**.



- Remove the brake light wiring **A** and starter motor cable **B** from the carburettor.



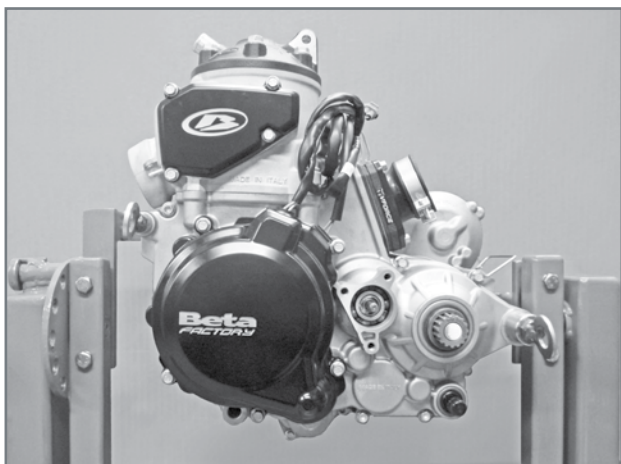


- Remove the shock-absorber pin **23**.
- Remove the swingarm pin. Pull the entire wheel/swingarm unit outwards.
- Remove the gear lever **24** and the engine pins **25**.
- Extract the engine from the frame and apply it to the specific stand, code *3625132 000*, using the specific front fixing bracket, code *026140030 000*.

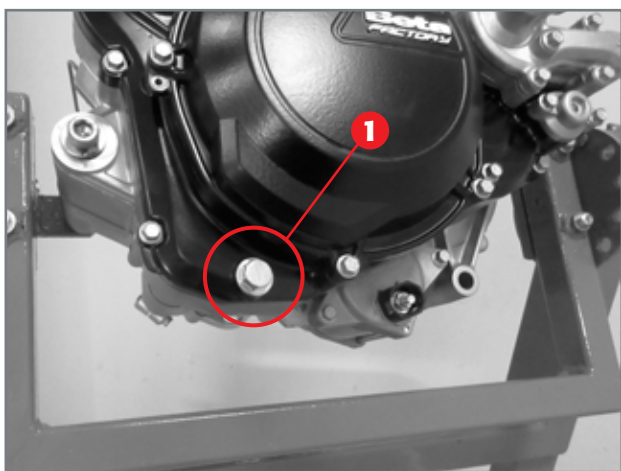
2 ENGINE DISASSEMBLY

2

ENGINE DISASSEMBLY

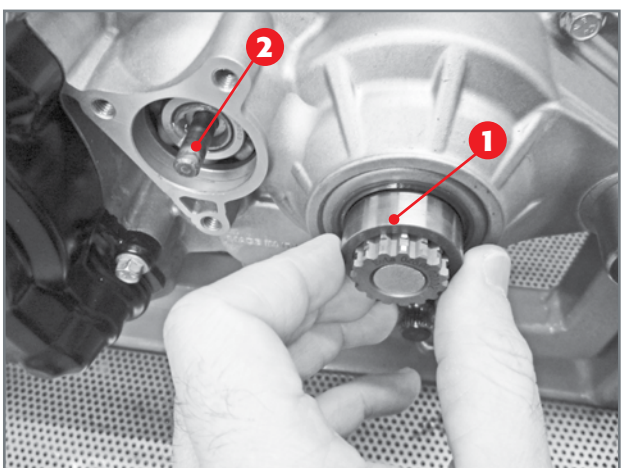


Secure the engine to the specific support stand code *3625132000* by means of the front fixing code *026140030 000*, in order to work in comfort and safety. Then proceed as follows.



2.1 CLUTCH/GEAR OIL DRAIN

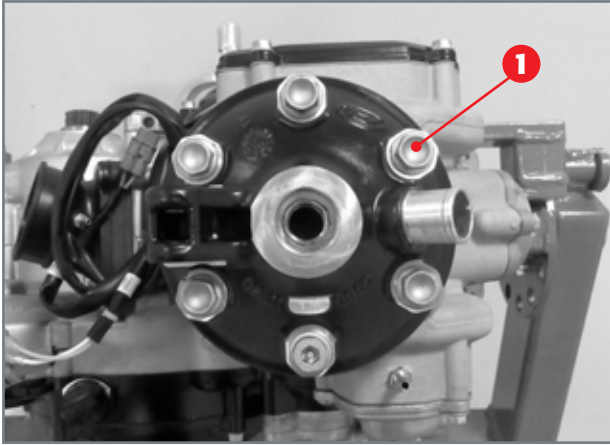
Remove screw **1** and let the oil drain.



2.2 REMOVAL OF CLUTCH CONTROL ROD AND PINION SPACER

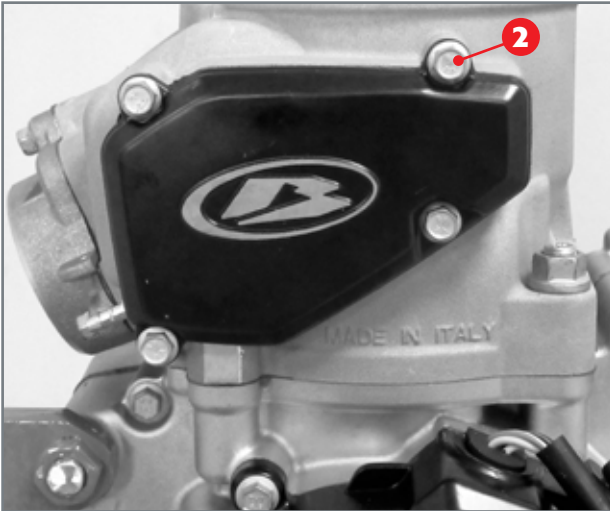
Pull out the spacer **1**.
Pull out the clutch control rod **2**.



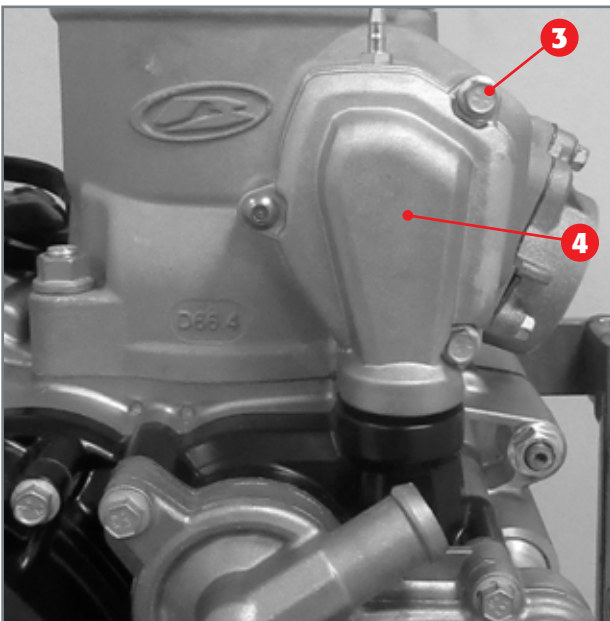


2.3 REMOVAL OF PISTON, CYLINDER AND HEAD

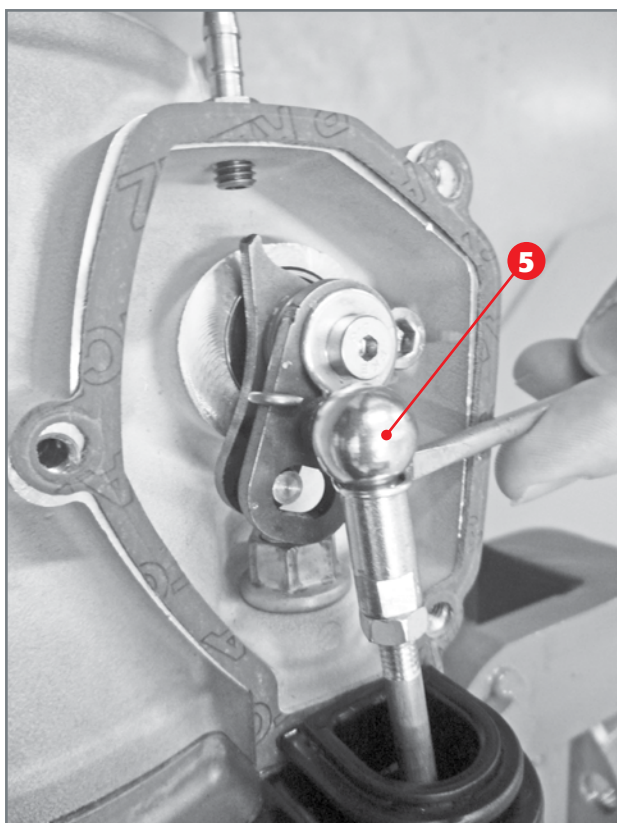
Remove the spigot screws **1** together with the copper washers. Remove the head and the two O-rings.



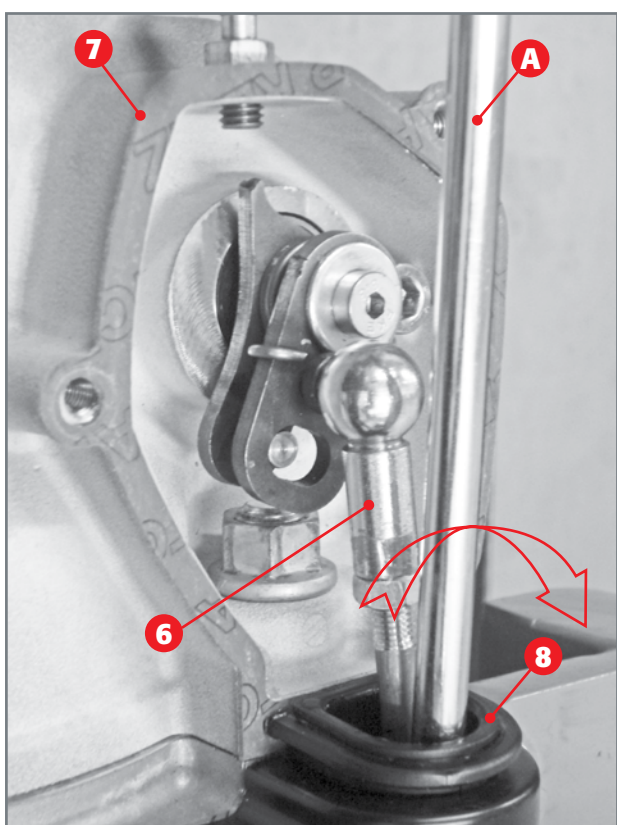
Remove the four screws **2**.



Remove the three screws **3** and cover **4**.



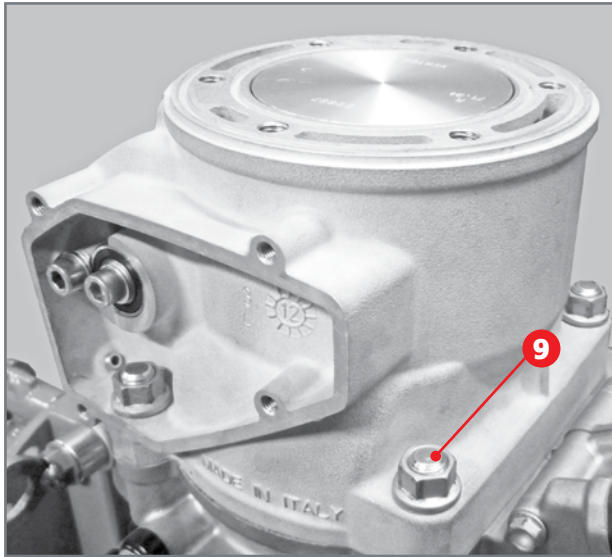
Release the lock **5** and remove it.



Release the control rod **6**.

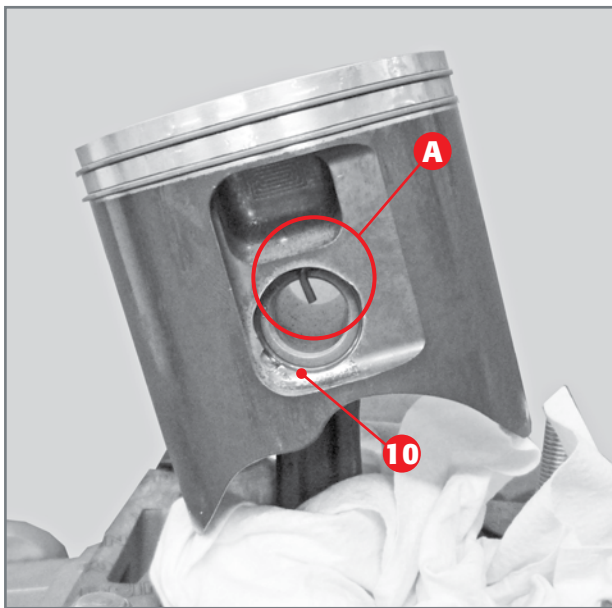
Remove the gasket **7**. It may be necessary to slightly force the rubber gasket **8**; place a metal pin **A** between the lever and the gasket **8** and slightly force it outwards.

Removal of gasket 7.



Extract the cylinder and base gaskets.

Remove the four collar nuts **9**.

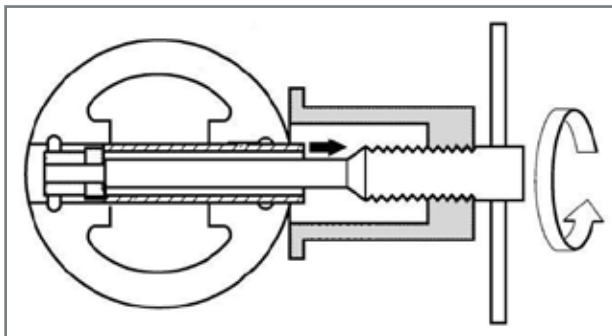


Removal of piston circlip.

ATTENTION!

Place a clean cloth between the piston and the crankcase to keep foreign objects or simple solid residues from falling inside the base.

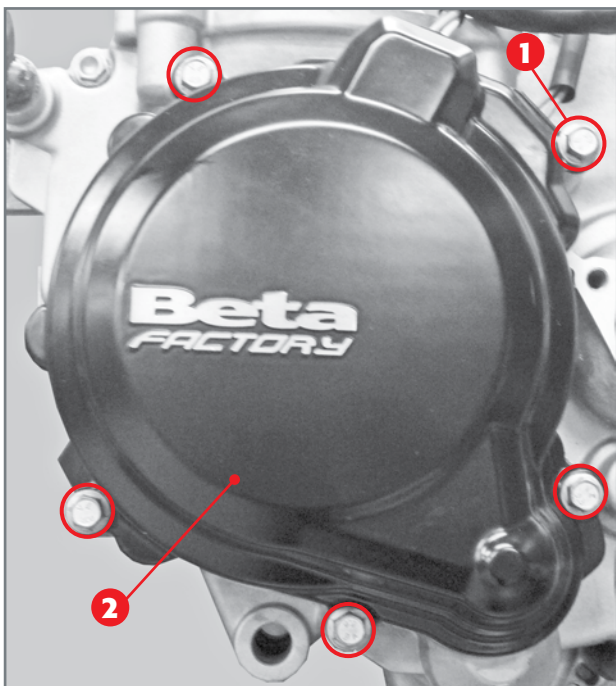
Remove the circlip **10** by gripping it with a pair of fine nose pliers **A**.



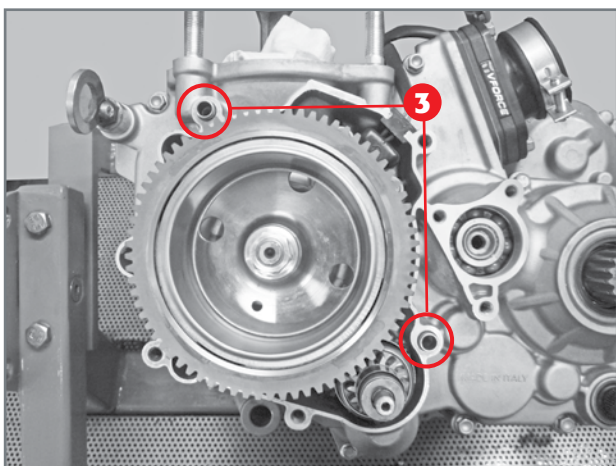
Removal of pin bolt.

Remove the pin bolt using a universal extractor for pin bolts.

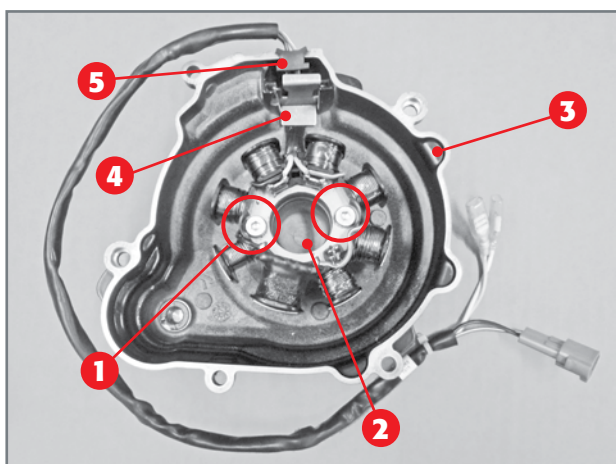
Remove the piston, the pin bolt and the bearing from the connecting rod foot.



Fixing screws 1 of flywheel cover 2.



The two designated reference pins 3 for the flywheel cover.



Disassembly of stator from cover.

2.4 REMOVAL OF IGNITION UNIT

The ignition unit is made up of the flywheel (or rotor), the pick-up unit and the stator, which is one with the flywheel cover.

2.4.1 REMOVAL OF FLYWHEEL COVER

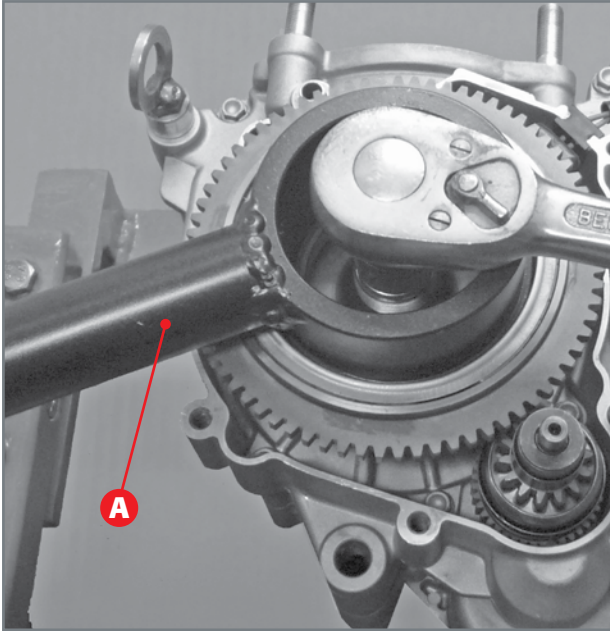
Remove the five screws 1 fastening the flywheel cover 2 to the left crankcase.

Remove the flywheel cover and the gasket placed between the crankcase and the cover.

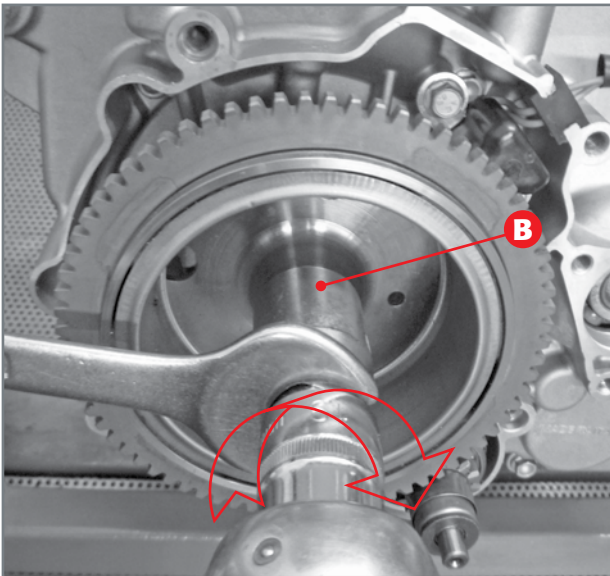
Pay attention to the two centring pins 3 on the crankcase.

2.4.2 Stator removal

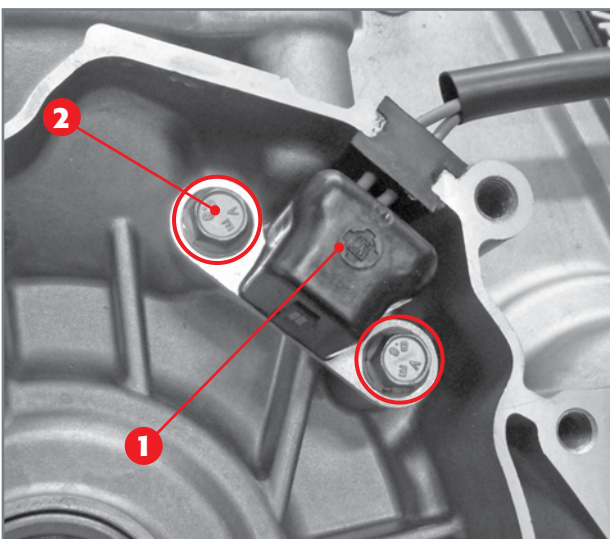
Remove the two screws 1 fixing the stator 2 to the flywheel cover 3. Extract the plate 4 and the cable gland 5 from the cover and take out the stator.



Removal of flywheel nut.



Release of flywheel using special tool B.



Removal of pick-up unit.

2.4.3 REMOVAL OF FLYWHEEL

Block the flywheel using the special tool **A** (cod. 026140040 000) and remove the fastening nut securing the flywheel to the crankshaft.

Note: Once the nut has been unscrewed, pay attention to the special elastic washer placed between the nut and the flywheel.

To remove the flywheel, tighten the extractor **B** (code 3625173) onto the threaded part on the flywheel.

Keep the extractor blocked with a spanner and tighten the screw on the extractor using a box spanner.

2.4.4 REMOVAL OF PICK-UP UNIT

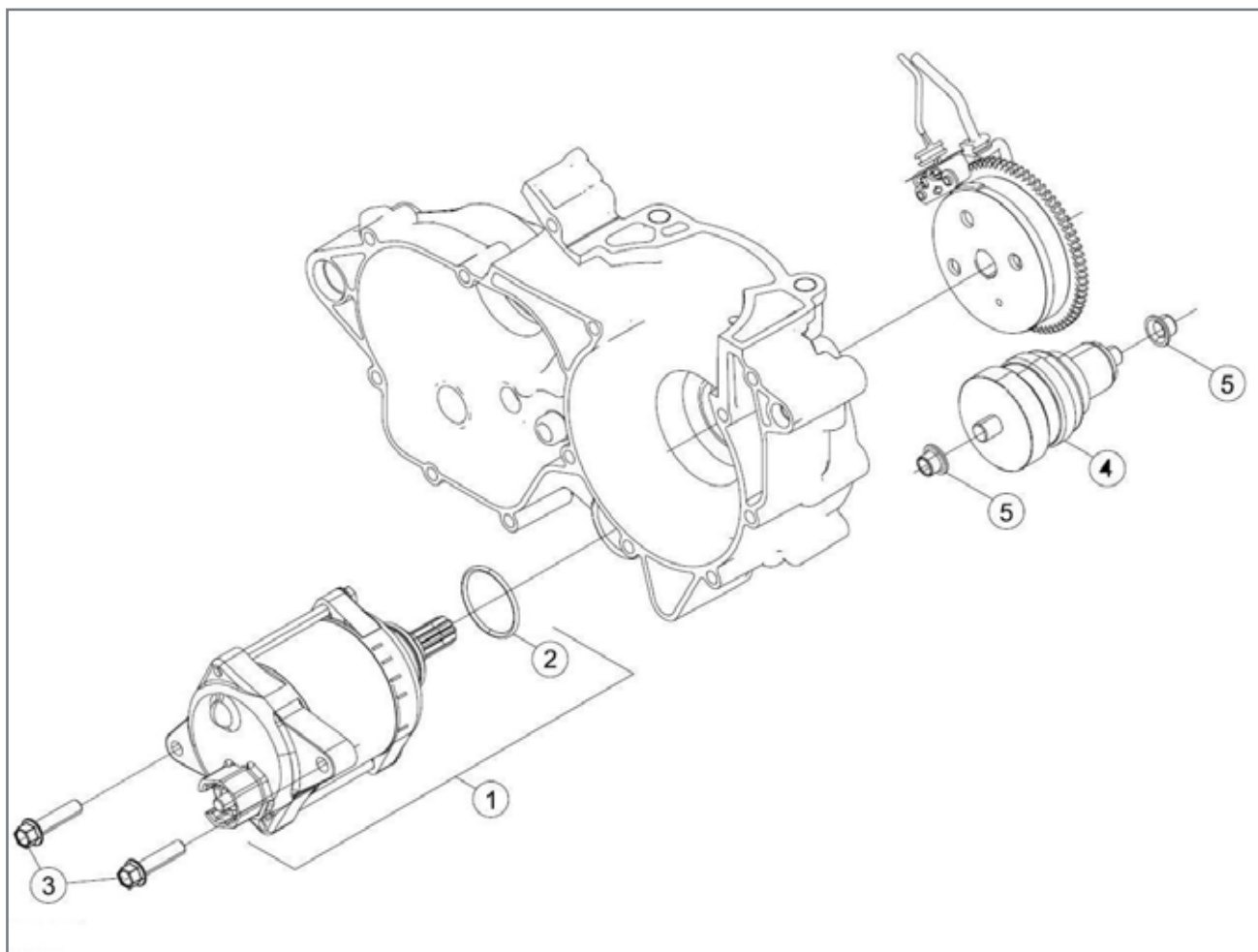
Remove pick-up unit **1** by loosening the two fixing screws **2**.

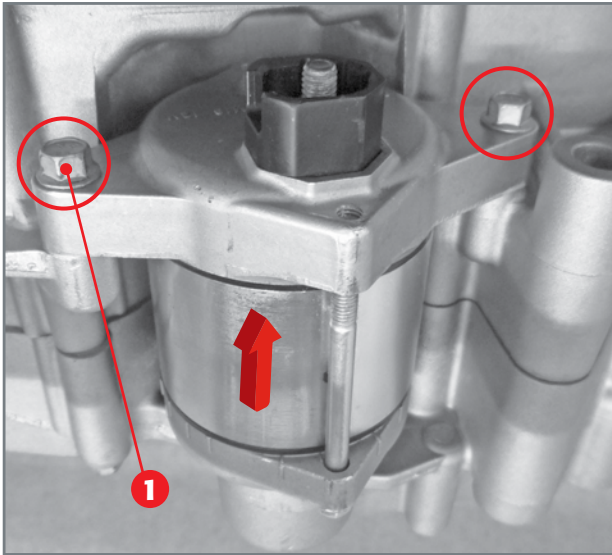
2.5 REMOVAL OF ELECTRIC IGNITION

The electric ignition is carried out by means of start motor **1** that meshes on the Bendix coupling **4**. The coupling gear axially shifts and meshes onto the ring gear, which is one with the flywheel, due to the start motor rotation. The coupling gear retracts to its rest position, once the motor action ends.

EXPLODED VIEW OF ELECTRIC KICKSTARTER:

- 1) Start motor;
- 2) O-ring;
- 3) Screws;
- 4) Bendix coupling;
- 5) Bush with collar.

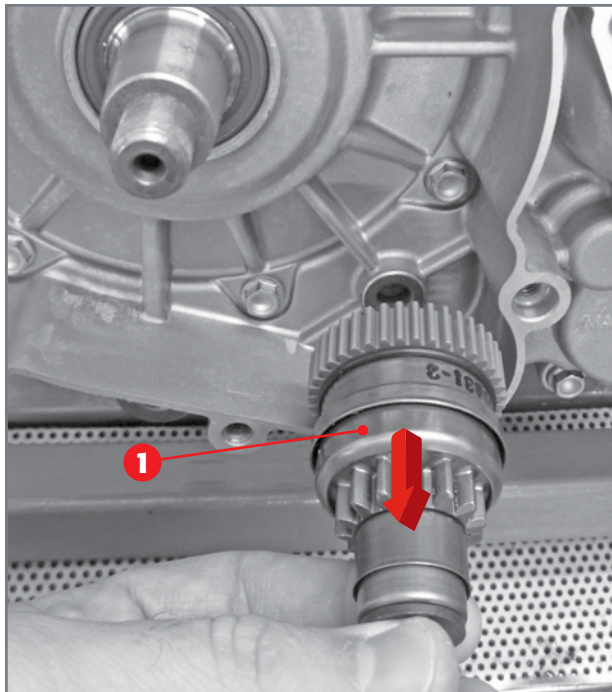




Removal of start motor.

2.5.1 REMOVAL OF START MOTOR

Remove the two screws **1** and extract the motor.



Removal of Bendix coupling.

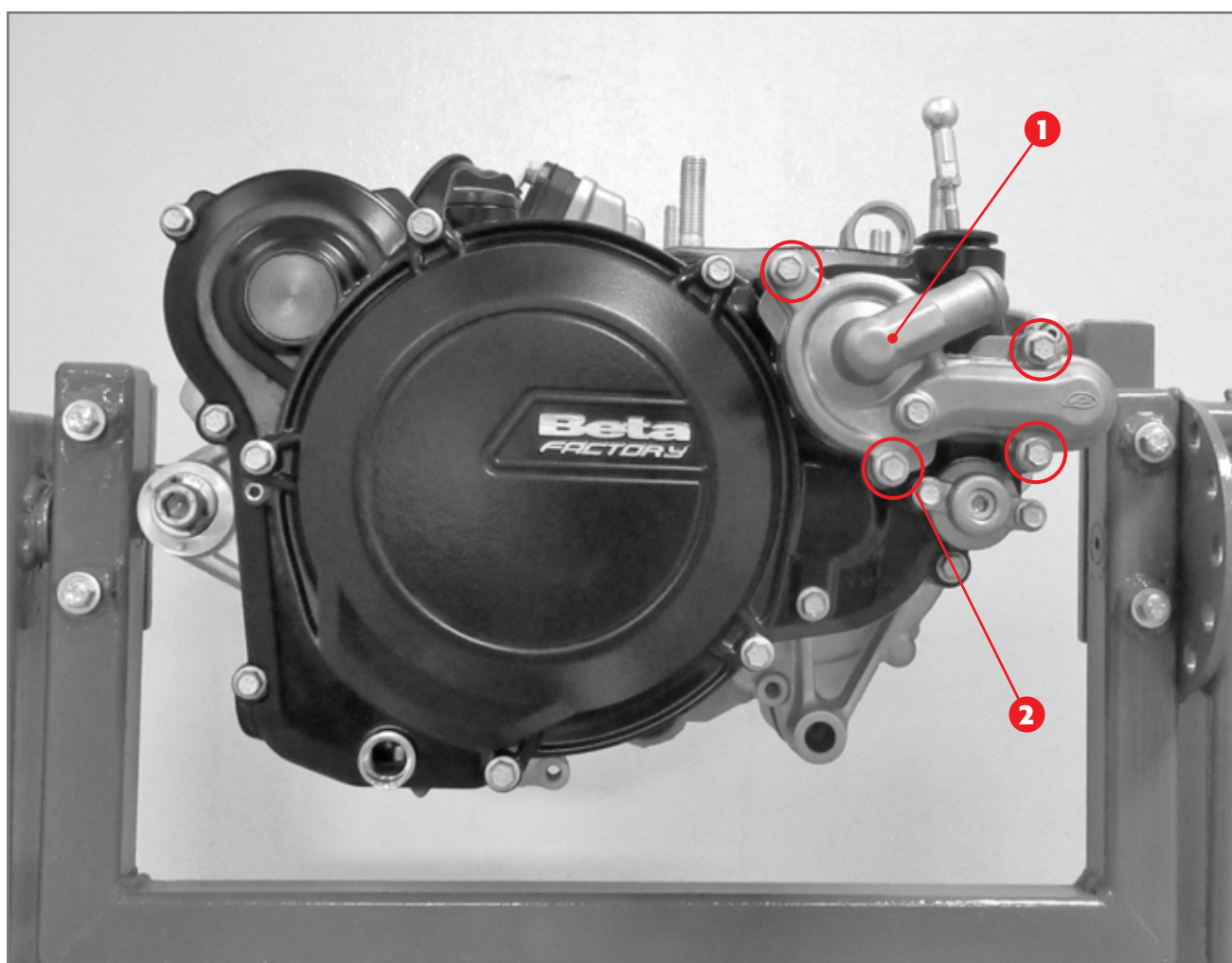
2.5.2 REMOVAL OF BENDIX COUPLING

Extract the Bendix coupling **1** once the complete flywheel cover and flywheel have been removed (see par. 2.4.1).

2.6 REMOVAL OF COOLANT LIQUID PUMP, CLUTCH UNIT, MAIN GEAR, CENTRIFUGAL UNIT, GEAR-SHIFT ORGANS, KICK-START

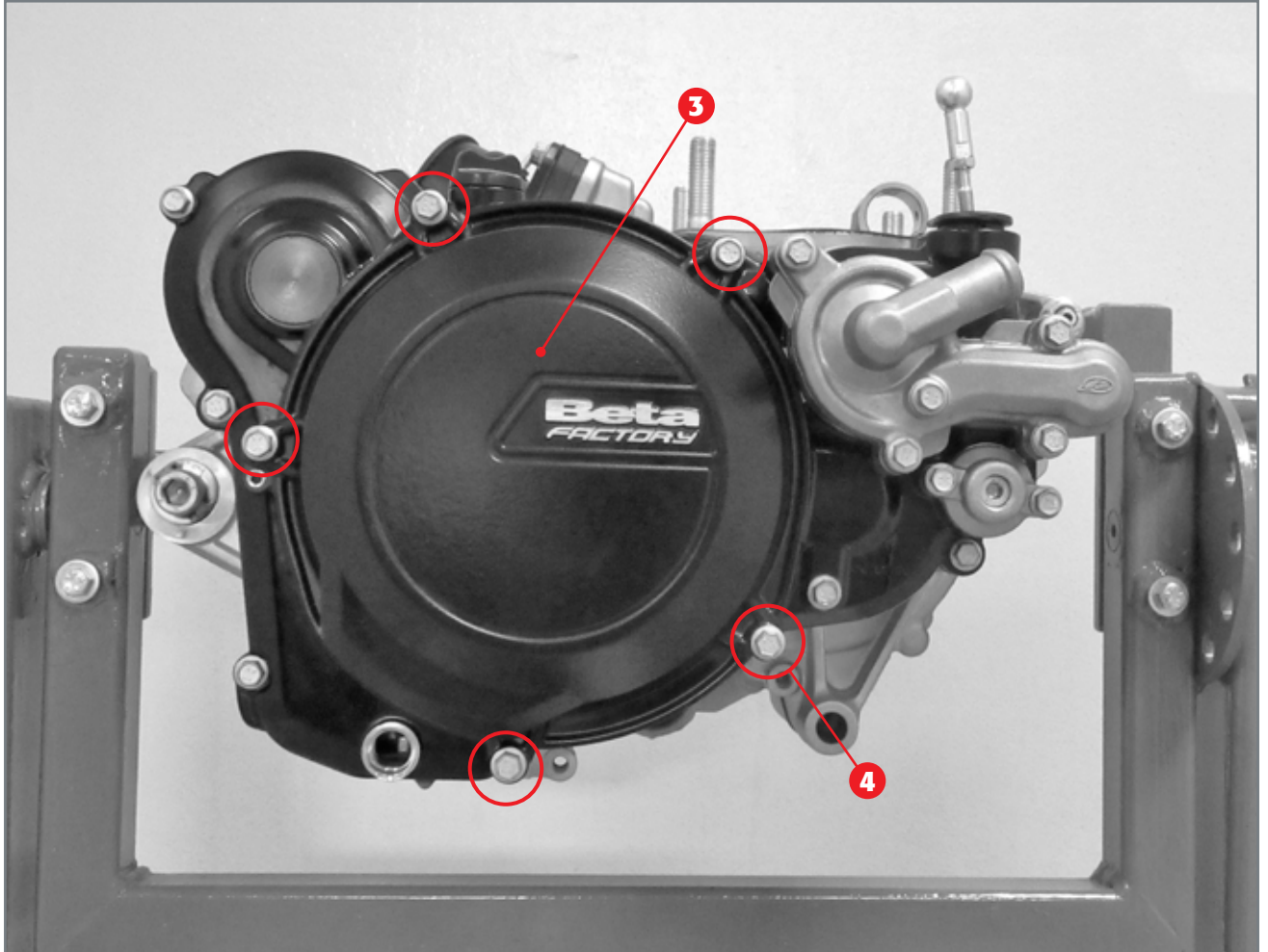
Remove the cover 1 by loosening the screws 2 to access the coolant liquid pump.

Note: remove the coolant liquid pump impeller if having to intervene on the centrifugal unit.



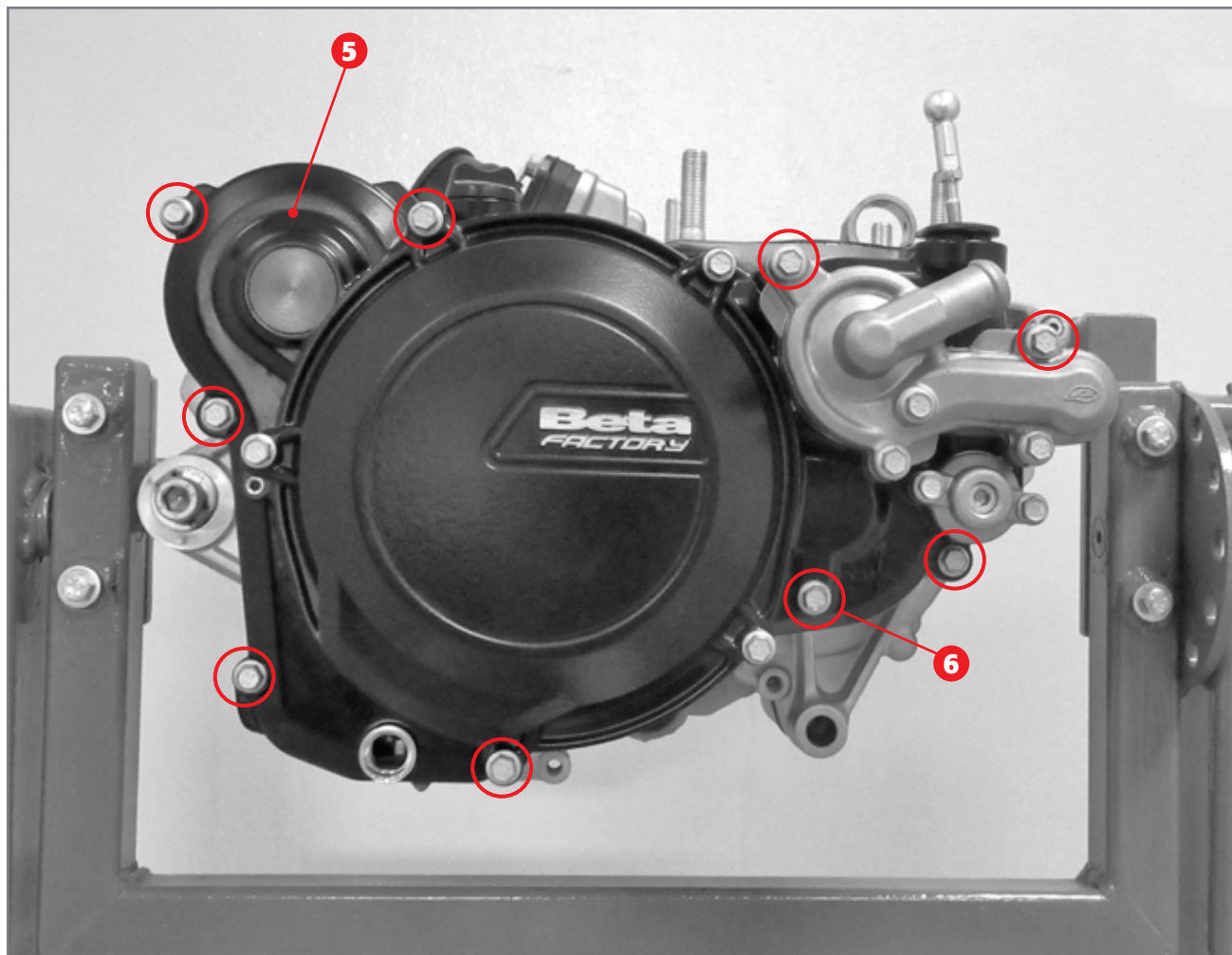
Coolant liquid pump cover screws.

In order to only access the clutch unit, the outer clutch cover **3** must be removed by loosening the screws **4**.

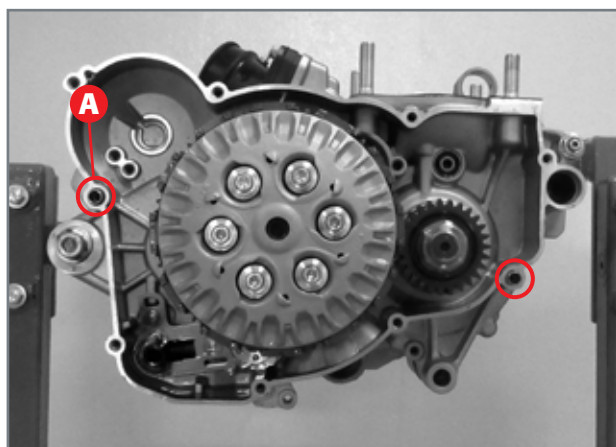


Outer clutch cover screws.

When doing a complete overhaul of the engine or of gearshift organs, kickstart, primary transmission or centrifugal unit, the inner clutch cover **5** must be removed by loosening the nine screws **6**.

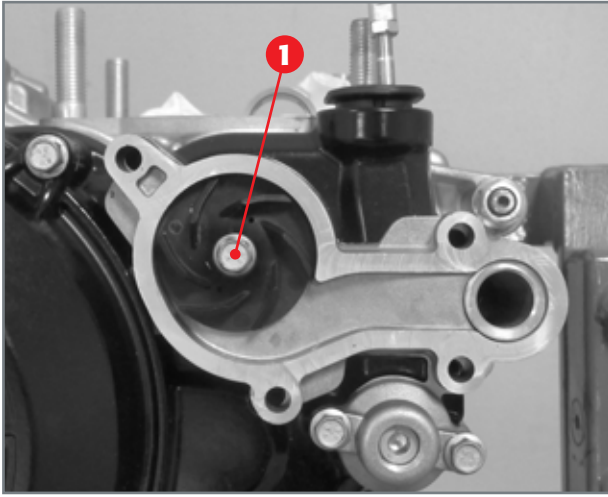


Inner clutch cover screws.

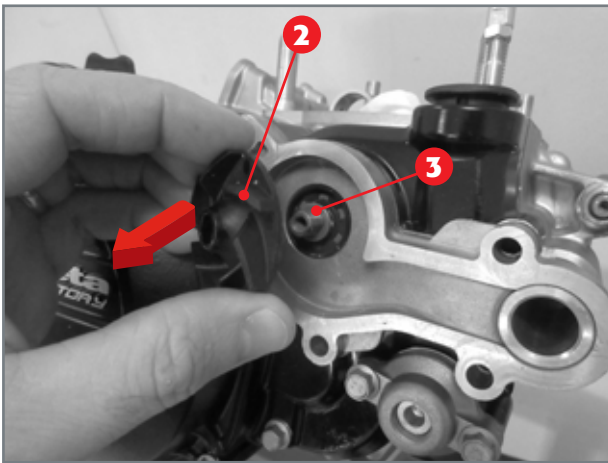


Two centring pins A for inner clutch cover coupling.

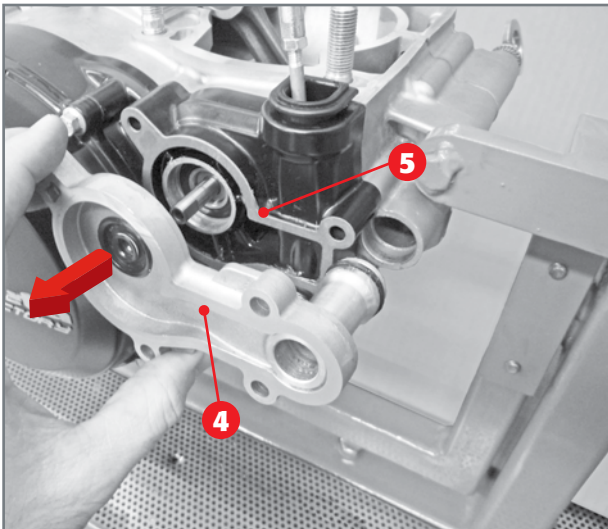
Pay attention to the two reference pins **A** placed between the right crankcase half and the inner clutch cover while disassembling.



Cooling pump fixing screw.



Removal of impeller.



Removal of pump body and gasket.

2.6.1 REMOVAL OF COOLANT LIQUID PUMP

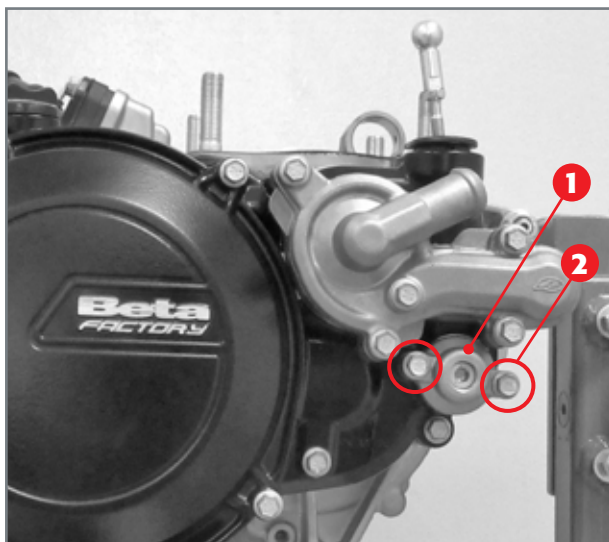
Loosen fixing screw **1** once the coolant liquid pump cover has been removed.

Extract the impeller **2** and the thrust washer **3**.

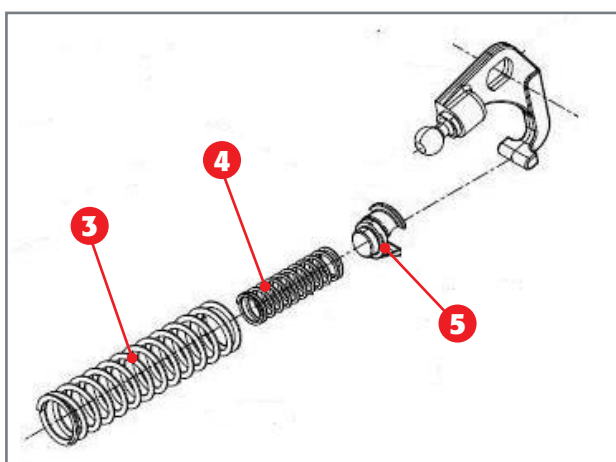
Extract the complete pump body **4** and remove gasket **5**.

2.6.2 REMOVAL OF CENTRIFUGAL UNIT AND LEVERAGE

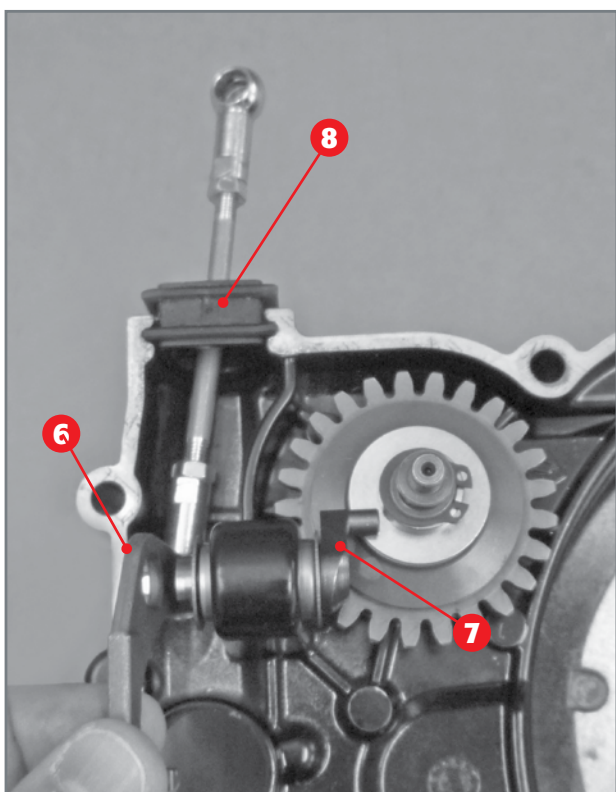
Access the centrifugal unit and linkage by removing the inner clutch cover. Disassemble the adjustment cover **1** by removing the two screws **2**, once the pump impeller has been removed (par. 2.6.1).



Removal of centrifugal adjustment cover.

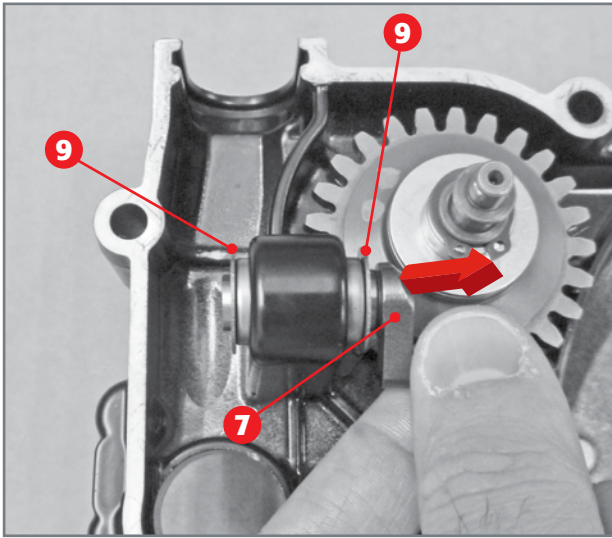


Remove the unit consisting of adjusting springs **3**, auxiliary springs **4** and the spring guide **5**.



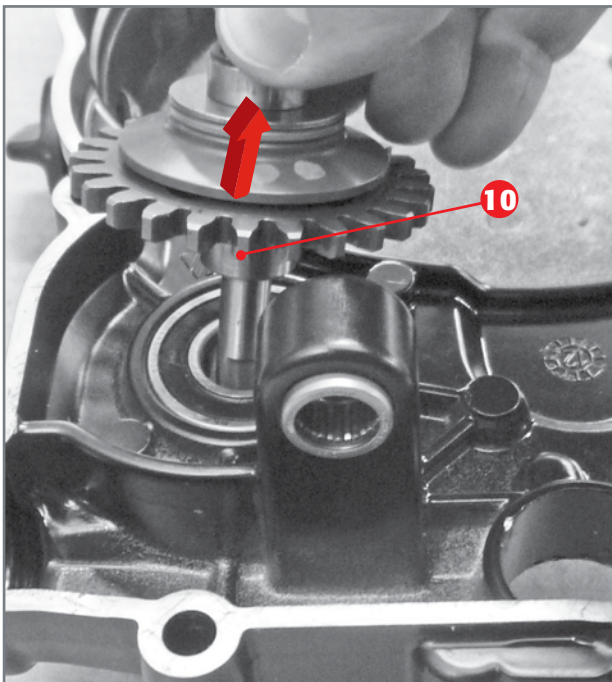
Disassembly of control rod-rocker arm unit.

After removing the screw fixing the rocker arm **6** to the centrifugal control lever **7**, extract the rocker arm with control rod and gasket **8**.



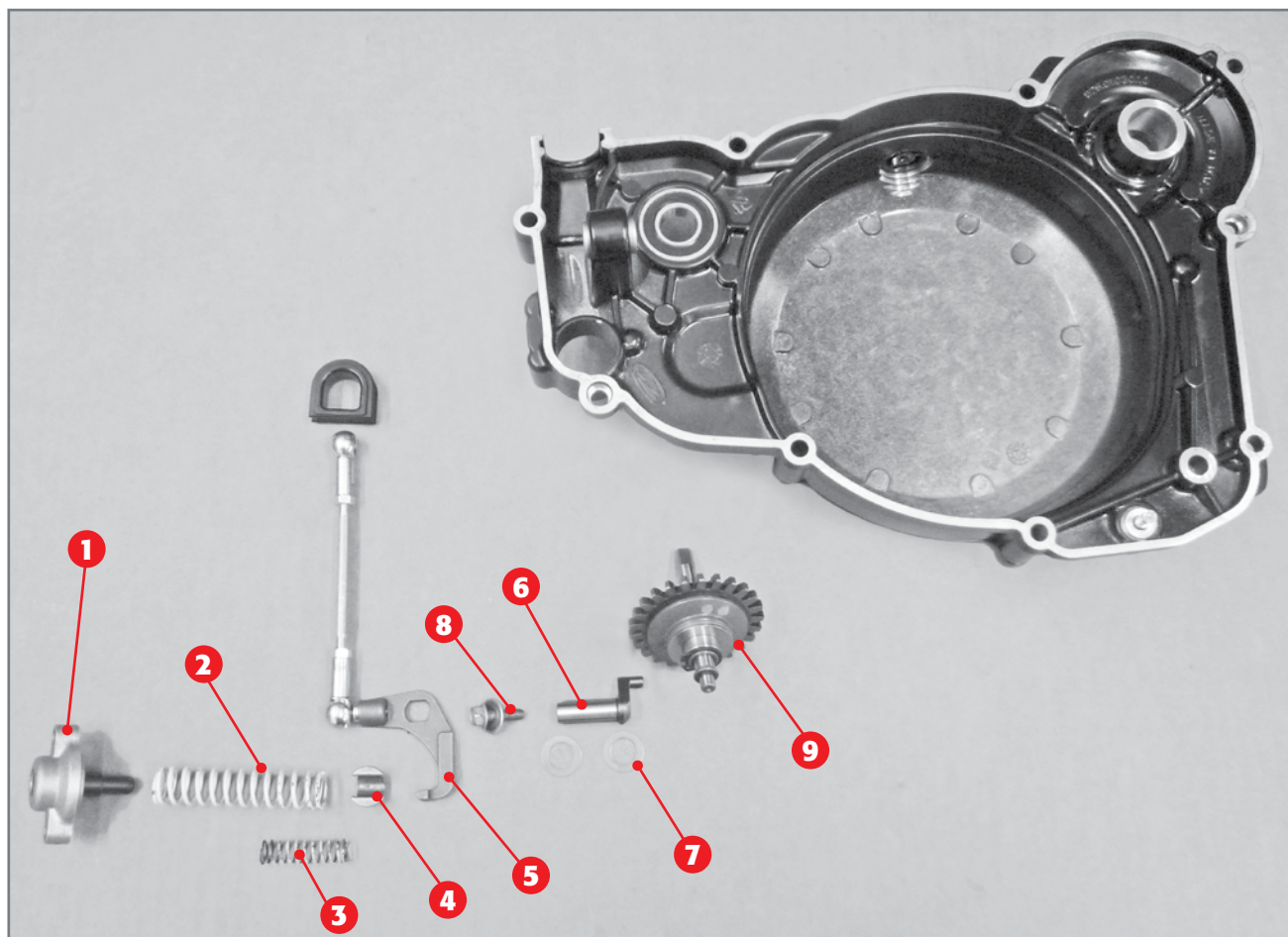
Removal of centrifugal control lever.

Extract the centrifugal control lever 7 together with the two thrust washers 9.

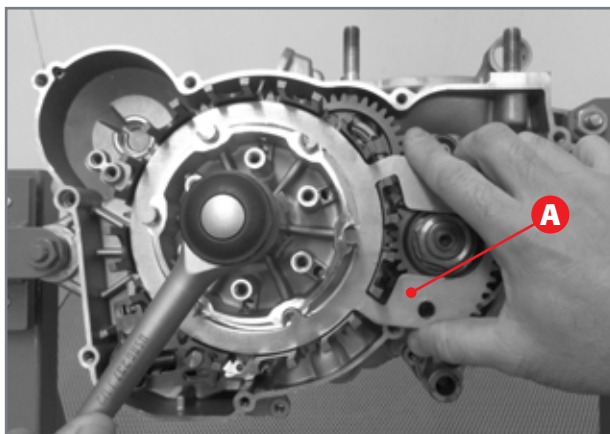
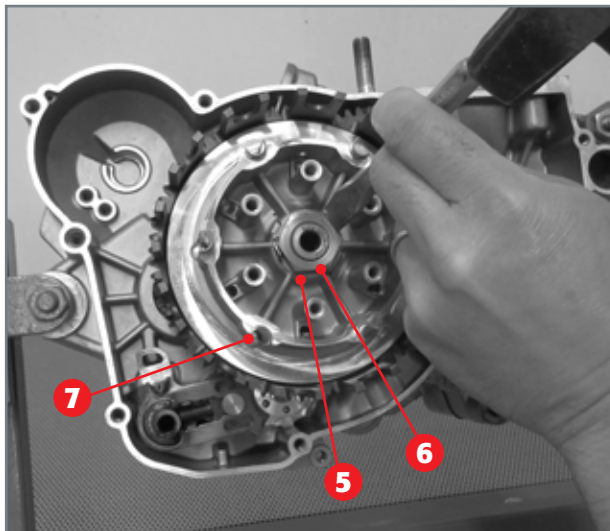
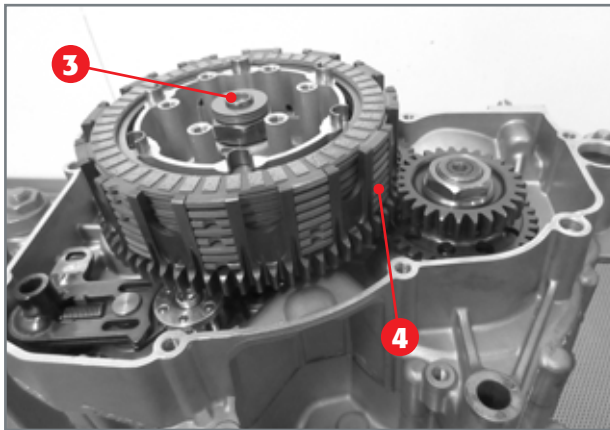
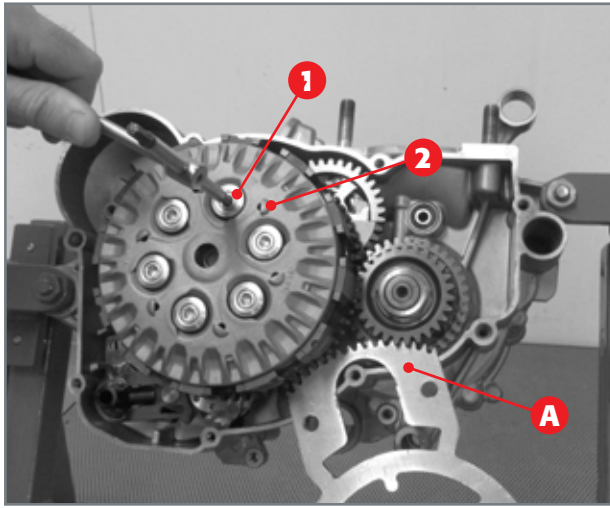


Extraction of centrifugal unit.

Extract the complete centrifugal unit 10.



- 1) Adjustment cover;
- 2) Adjustment spring;
- 3) Auxiliary spring (if any);
- 4) Spring guide;
- 5) Rocker arm;
- 6) Centrifugal control lever;
- 7) Thrust washers;
- 8) Screw;
- 9) Centrifugal unit.



2.6.3 DISASSEMBLY OF CLUTCH UNIT AND COUNTERSHAFT COUNTERWEIGHT

Keep the clutch unit blocked by using the special tool **A** (code 029.14.002.50.00) remove the screws **1** which fasten the clutch cap **2** to the clutch drum. Remove the clutch cap together with the washers and relevant springs.

Extract the complete pressure plate unit **3** and the clutch disc pack **4**.

In order to complete disassembly of the clutch unit, open the safety washer **5** by using a chisel and remove the nut **6**.

WARNING!

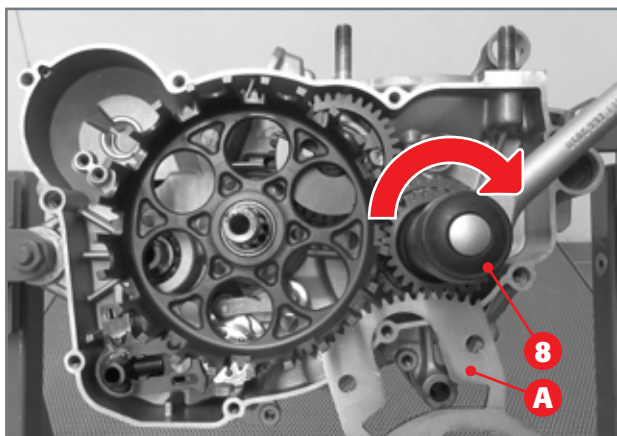
*Do not remove the sliding pins **7**.*

To unscrew the nut **6**, the clutch drum must be blocked with the appropriate tool **A** (code 029.14.002.50.00).

Then remove the nut and relevant safety washer.

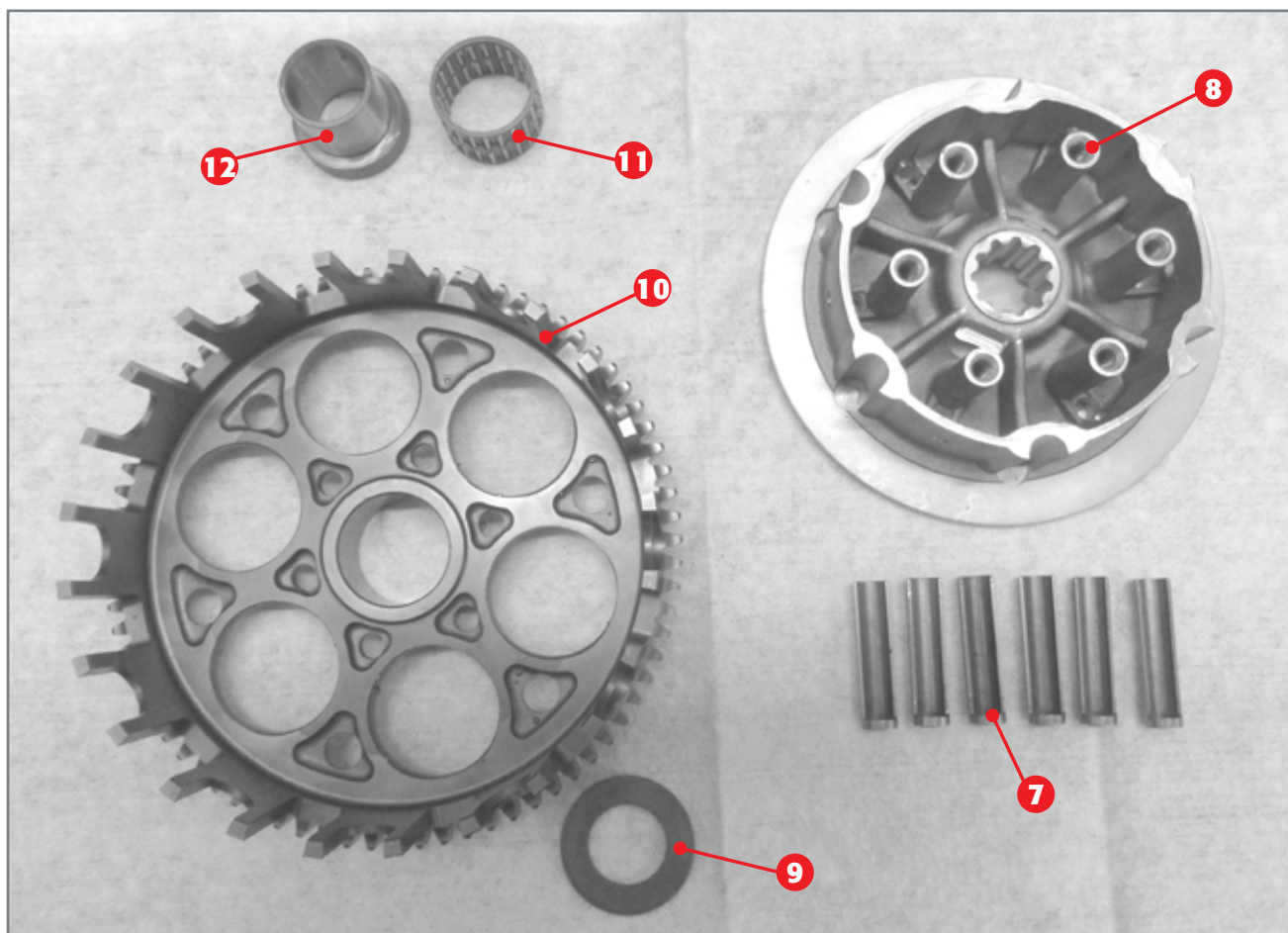
WARNING!

Do not use the pneumatic gun.

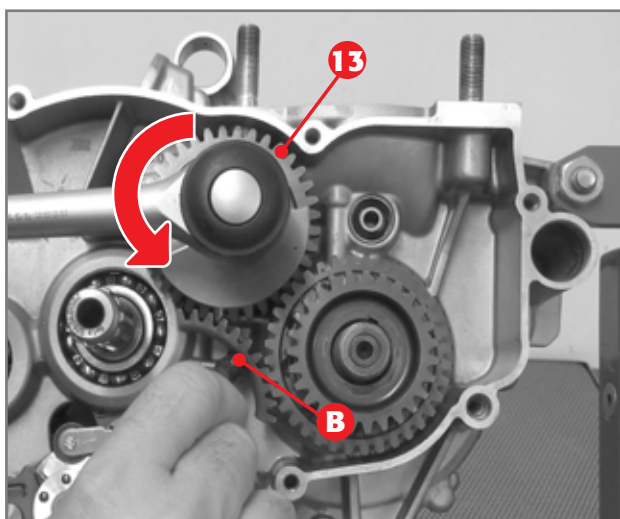


Using the special primary tool **A** (code 029.14.002.50.00), disassemble the nut that tightens the primary gear **8** onto the crankshaft.

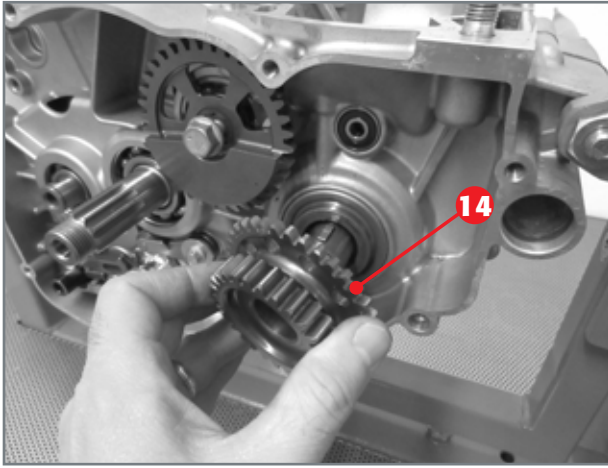
WARNING!
The nut must be turned clockwise.



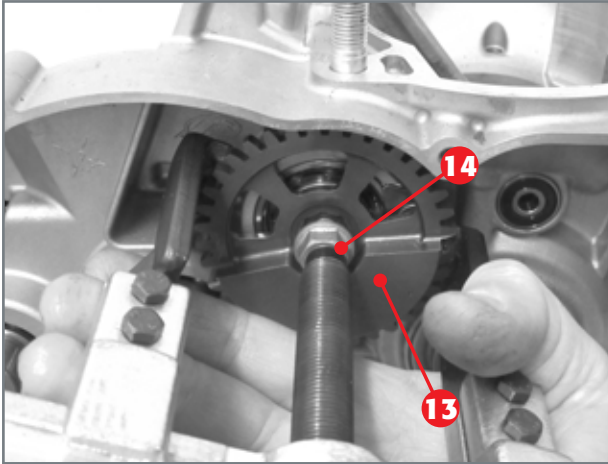
Extract the clutch drum **8**, the washer **9**, the case **10**, the roller cage **11** and the centre bearing **12**. It is possible to remove the sliding pins **7**.



Keep the counterweight locked in place **13** using the special tool **B** (code 026.14.012.50.00) and loosen the screw.



Extract the primary gear **14**.
Removal can be facilitated by using a universal extractor.

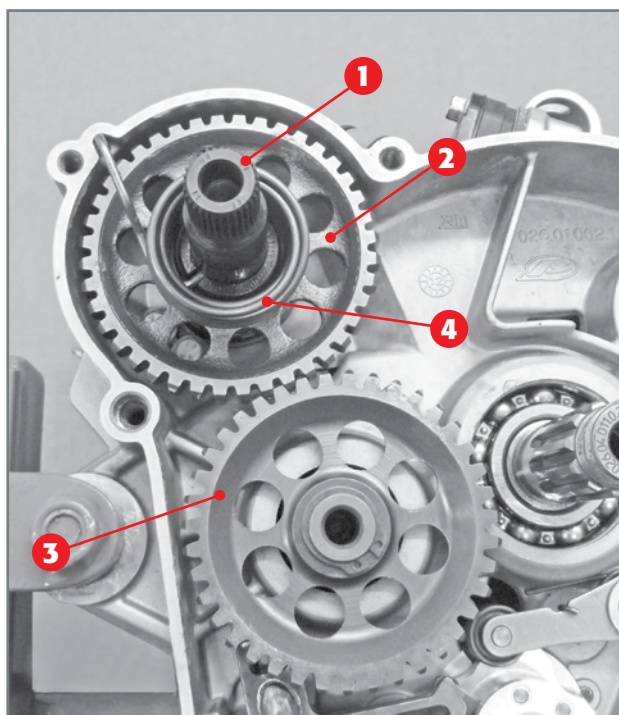


Using the extractor, remove the counterweight **13**.

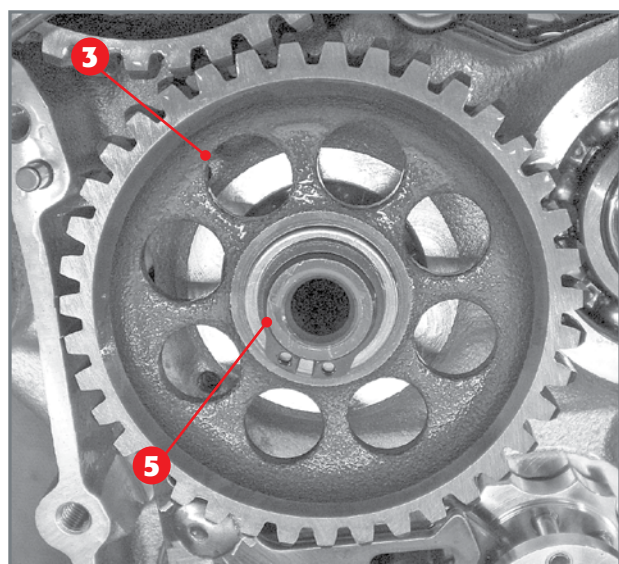
Note: it is advisable to keep the locking screw **14** in place, using it as a support for the extractor.

2.6.4 PEDAL KICKSTART - OPTIONAL

The pedal kickstarter consists of the pedal which, attached to the kickstarter shaft **1**, moves the kickstarter gear **2**. This gear moves the idler wheel **3**, which engages in its turn with the clutch case. The device recoils thanks to the spring **4**.

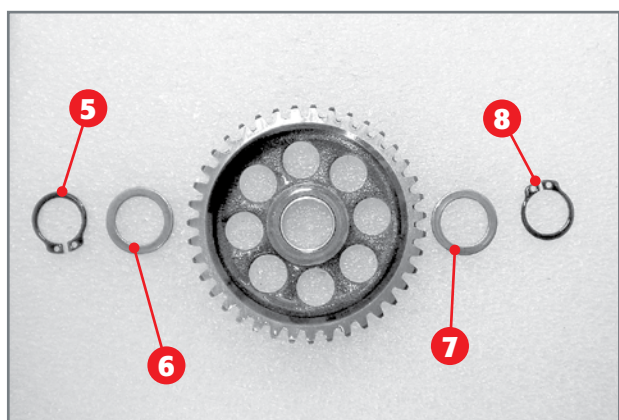


The pedal kickstart.

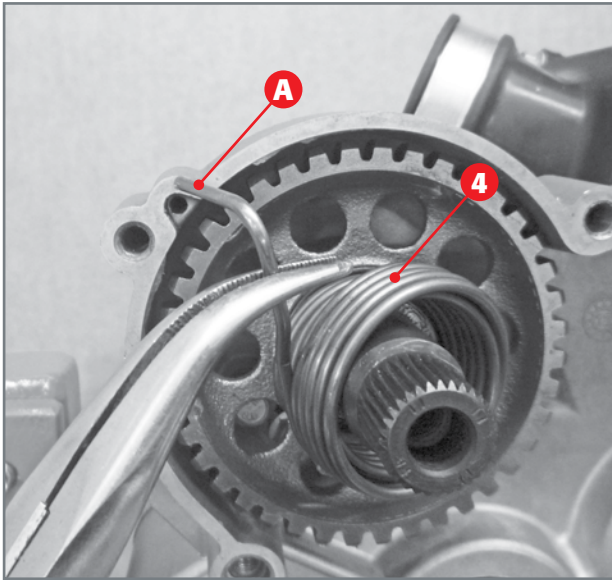


Removal of circlip 5 of idler gear 3.

Remove the external circlip **5** and extract the external thrust washer **6**, the idler gear **3**, the internal thrust washer **7** and the second circlip **8**. The circlips and thrust washers are interchangeable.



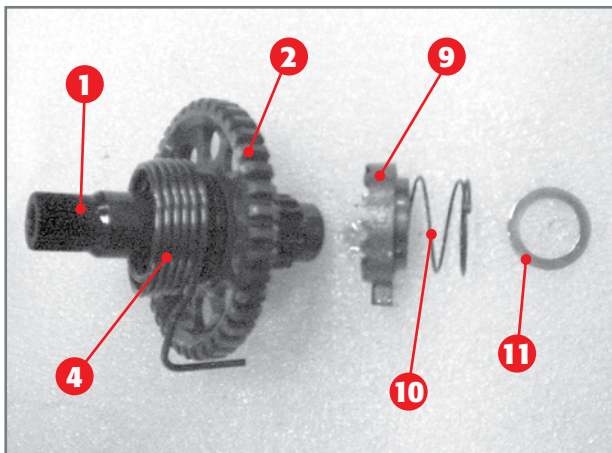
Two circlips 5 and 8 and thrust washers 6 and 7.



Releasing spring from crankcase.



Extraction of shaft from crankcase.

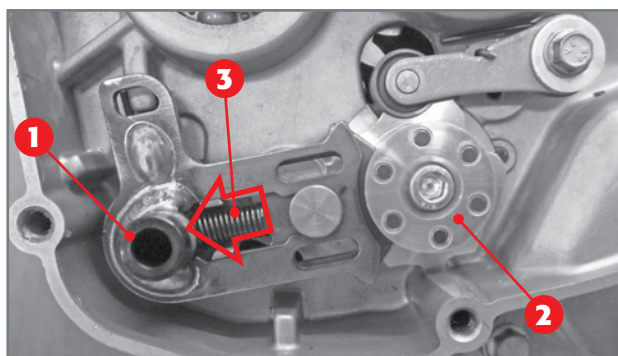


Complete pedal kickstart shaft.

Using a pair of pliers, pull the end **A** of the spring **4** out of the housing hole on the crankcase and move it to a resting position by turning it anti-clockwise.

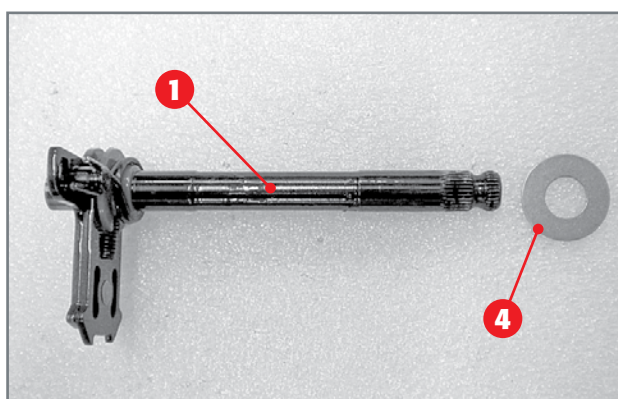
Turn the shaft anti-clockwise and pull it off together with the sleeve **9**, the spring **10** and the thrust washer **11**.

2.6.5 EXTERNAL GEARSHIFT UNIT

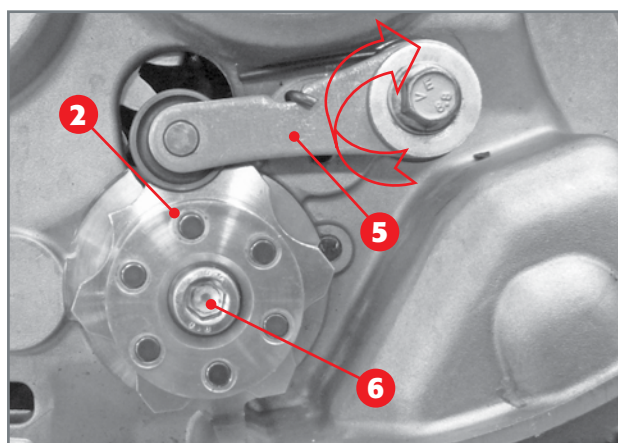


The external gearshift consists of the drive shaft **1** on which the movable and fixed pawls are applied. The fixed pawl is the guide of the movable pawl, which has the task of engaging the stop cam **2**. In its turn, this is fastened to the internal gearshift and is kept in the fixed position by the cam stop lever.

In order to disassemble the drive shaft, just keep the movable pawl return spring **3** pressed and extract the shaft together with the specific washer **4**.

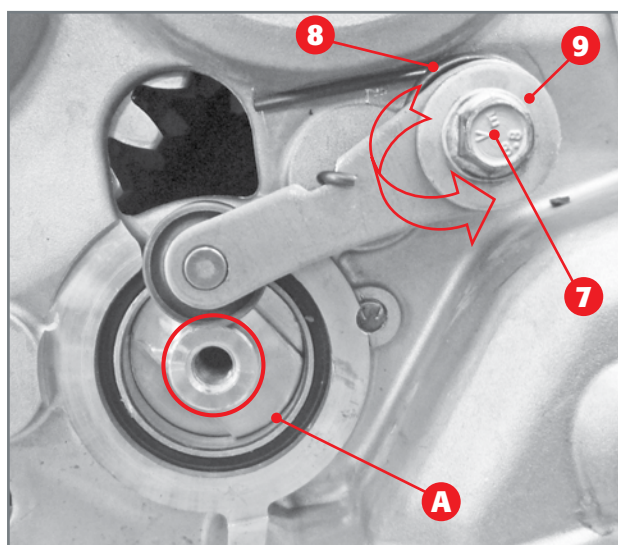


Gearshift with washer.



In order to disassemble the stop cam **2**, keep the cam stop lever moved **5**, loosen the screw **6** and pull out the stop cam **2**.

Disassembly of gear stop cam.



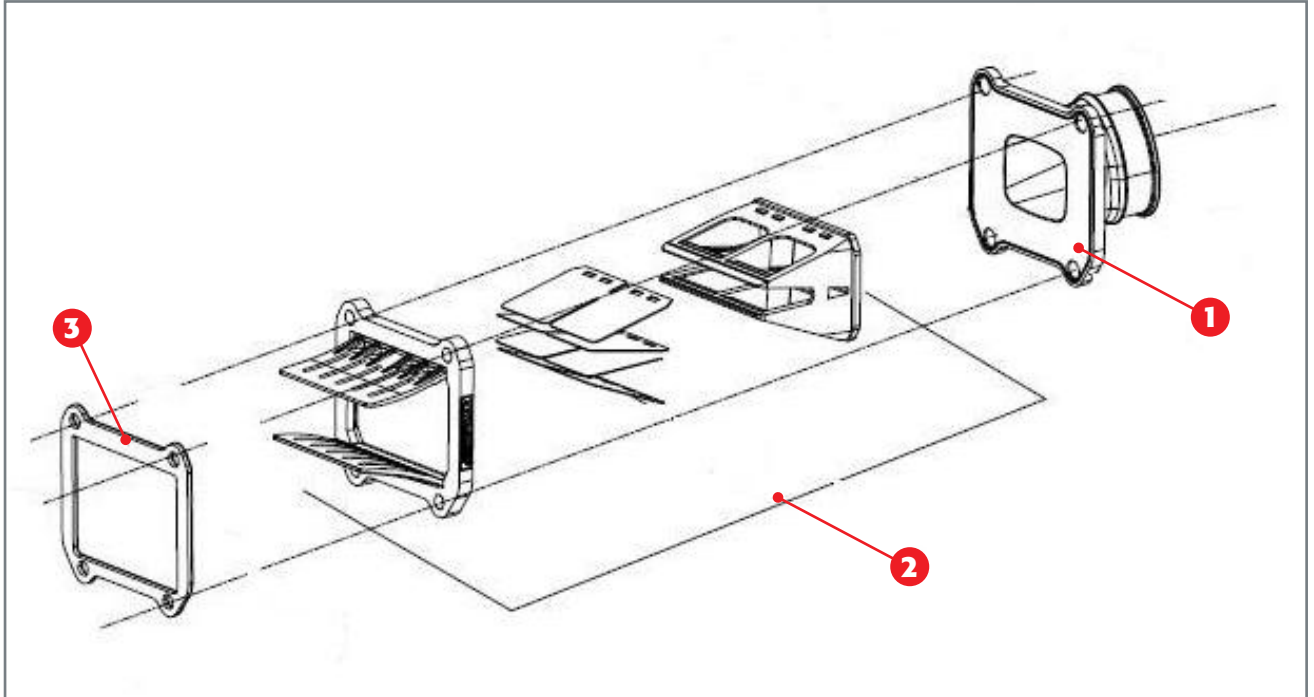
In order to disassemble the stop lever, loosen the screw **7** enough to allow the lever to move axially and overcome the cylinder segment **A** of the desmodromic device. Move the return spring **8** to the resting position and remove the screw, the washer **9**, the spring together with the spacer, the internal washer (not shown in the image) and finally the cam stop lever.

Disassembly of cam stop lever.

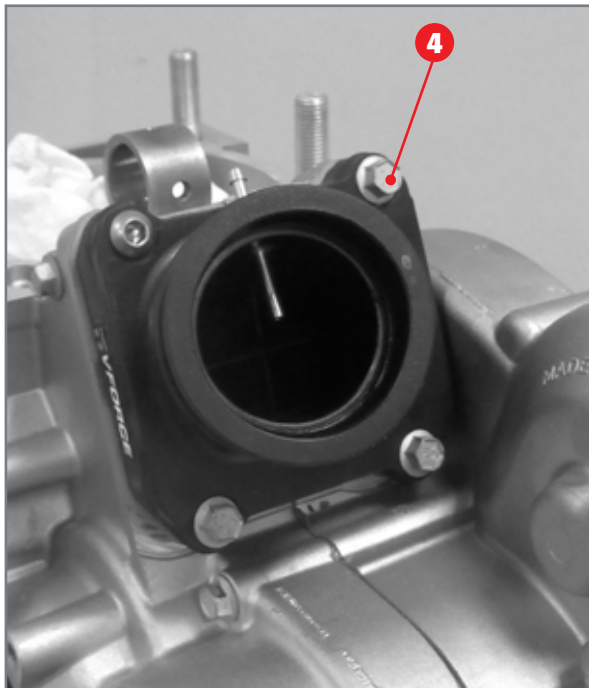


2.7 INTAKE SYSTEM

The intake system mainly consists of the intake manifold **1** and reed valve **2** and the spacer **3**.



- 1) Intake manifold;
- 2) Complete reed valve;
- 3) Gasket.



Fixing screws.

Disassemble by removing the screws **4** fastening the intake manifold and the reed valve to the crankcases.

2.8 CRANKSHAFT, GEAR-BOX UNIT AND INTERNAL GEARSHIFT

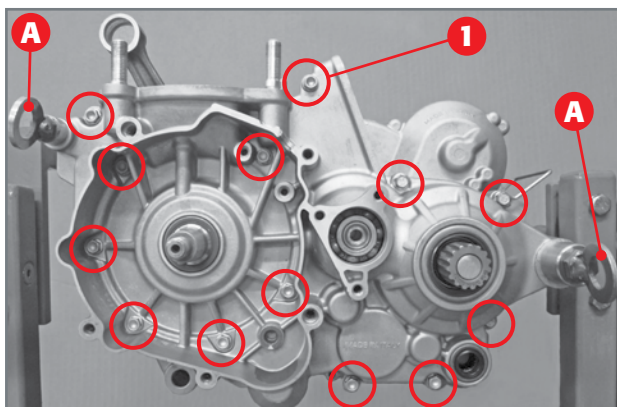
To access the crankshaft, gearbox unit and internal gearshift, the left and right crankcases must be detached. Below are the required instructions.

2.8.1 OPENING THE CRANKCASE

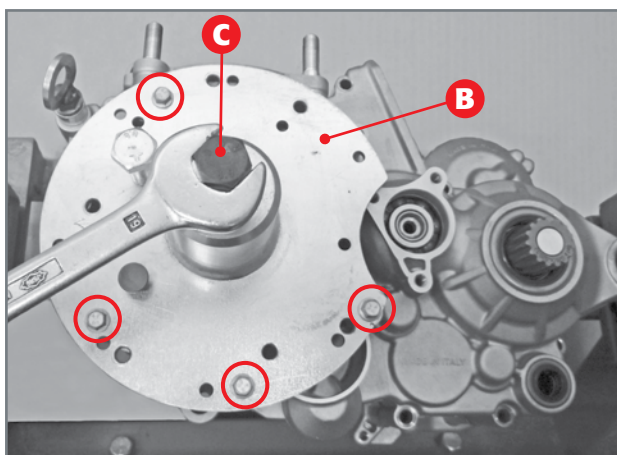
Remove the thirteen screws **1** fastening the crankcases.

ATTENTION!

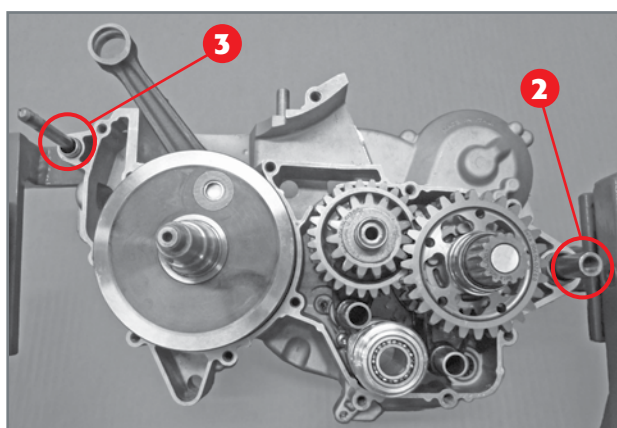
*Loosen the two equipment fixing screws **A**.*



Removal of crankcase screws.



Crankcase uncoupling stage.

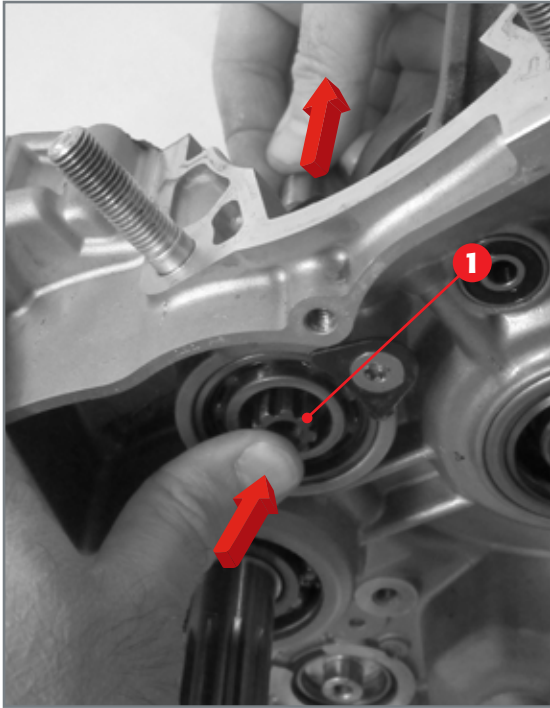


Crankcase half reference pins.

Apply special tool **B** to the right crankcase half following the punching on the tool itself. Fix the tool with the four M6x20 screws (maximum torque 10Nm). Tighten screw **C** on the special tool. Slightly hit the gear secondary with a rubber mallet during said operation.

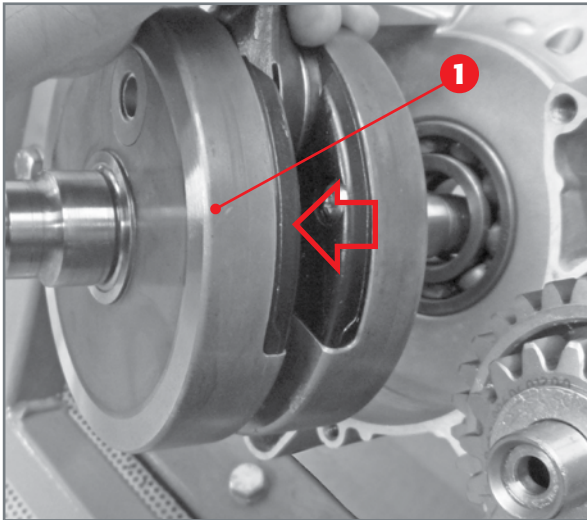
Once the crankcases have been detached, remove the two fixing screws to the equipment **A** and remove the left crankcase.

Remove the two rear **2** and front **3** reference pins. Remove the coupling gasket to the two crankcases.



2.8.2 COUNTERWEIGHT SUPPORT SHAFT

Once the crankcase halves have been uncoupled, push the counterweight support shaft inwards **1**.



2.8.3 CRANKSHAFT

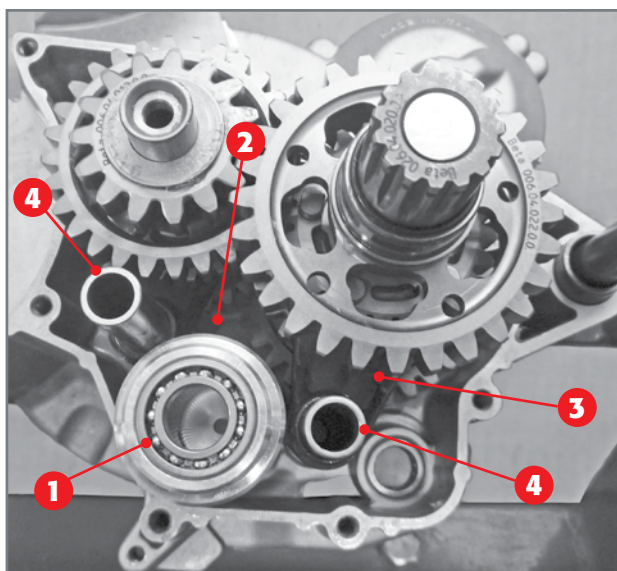
The crankshaft **1** can be pulled out manually. Gently hit the right end of the crankshaft in case of resistance.

Removal of crankshaft.

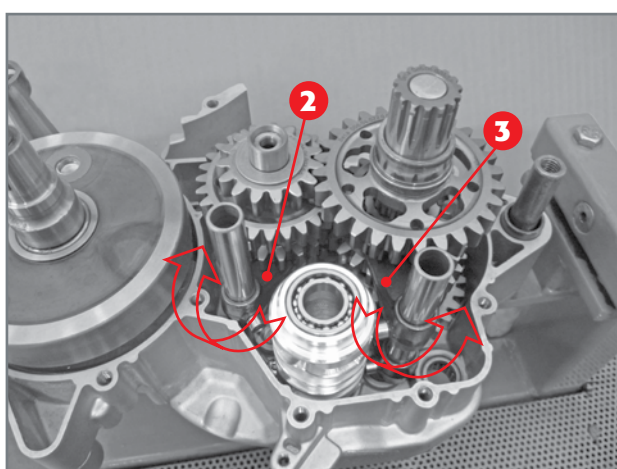
2.8.4 INTERNAL GEARSHIFT UNIT AND COMPLETE GEARBOX

The internal gearshift unit is made up of the desmodromic device **1** on which the fork **2** and two forks **3** are engaged. The forks, supported by the pins **4**, drive the sliding wheels of the gearbox, allowing the desired ratio to be engaged. The desmodromic device is controlled by the stop cam located in the external gearshift unit.

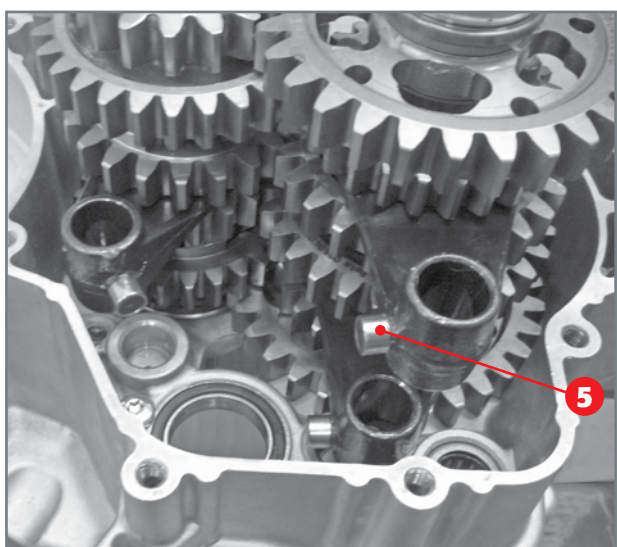
Manually extract the two pins **4** so that the forks can be released and removed.



Removal of fork support pins **1**.



Disengaging the drive forks from the desmodromic device.



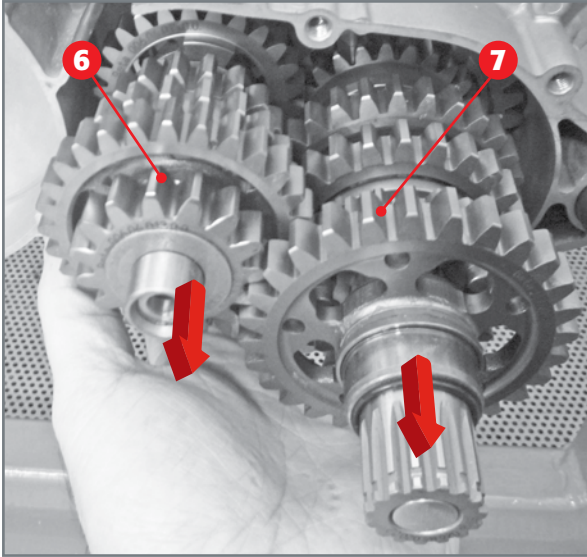
Extraction of forks from gearbox unit.

Turn the fork **2** which drives the sliding gear on the primary unit clockwise to release it from the desmodromic control.

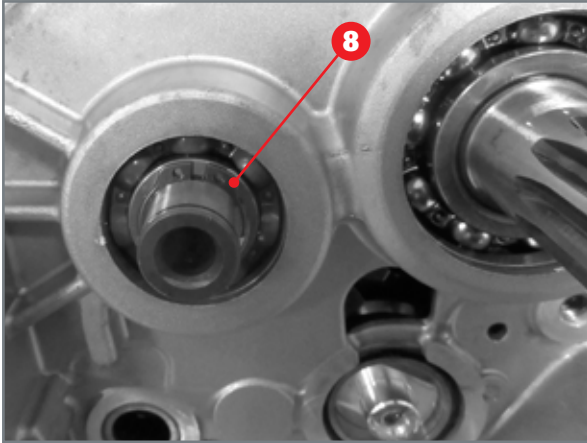
Carry out the same steps, though in the opposite direction, on the forks **3** driving the sliding gears on the secondary shaft.

Extract the desmodromic device.

Extract the forks together with the guide bushes **5**.



Extraction of complete gearbox unit: 6 primary unit, 7 secondary unit.



Extract the whole gearbox unit consisting of primary 6 and secondary 7 unit.

Note: Make sure you have removed circlip 8 on the clutch side gearbox secondary.

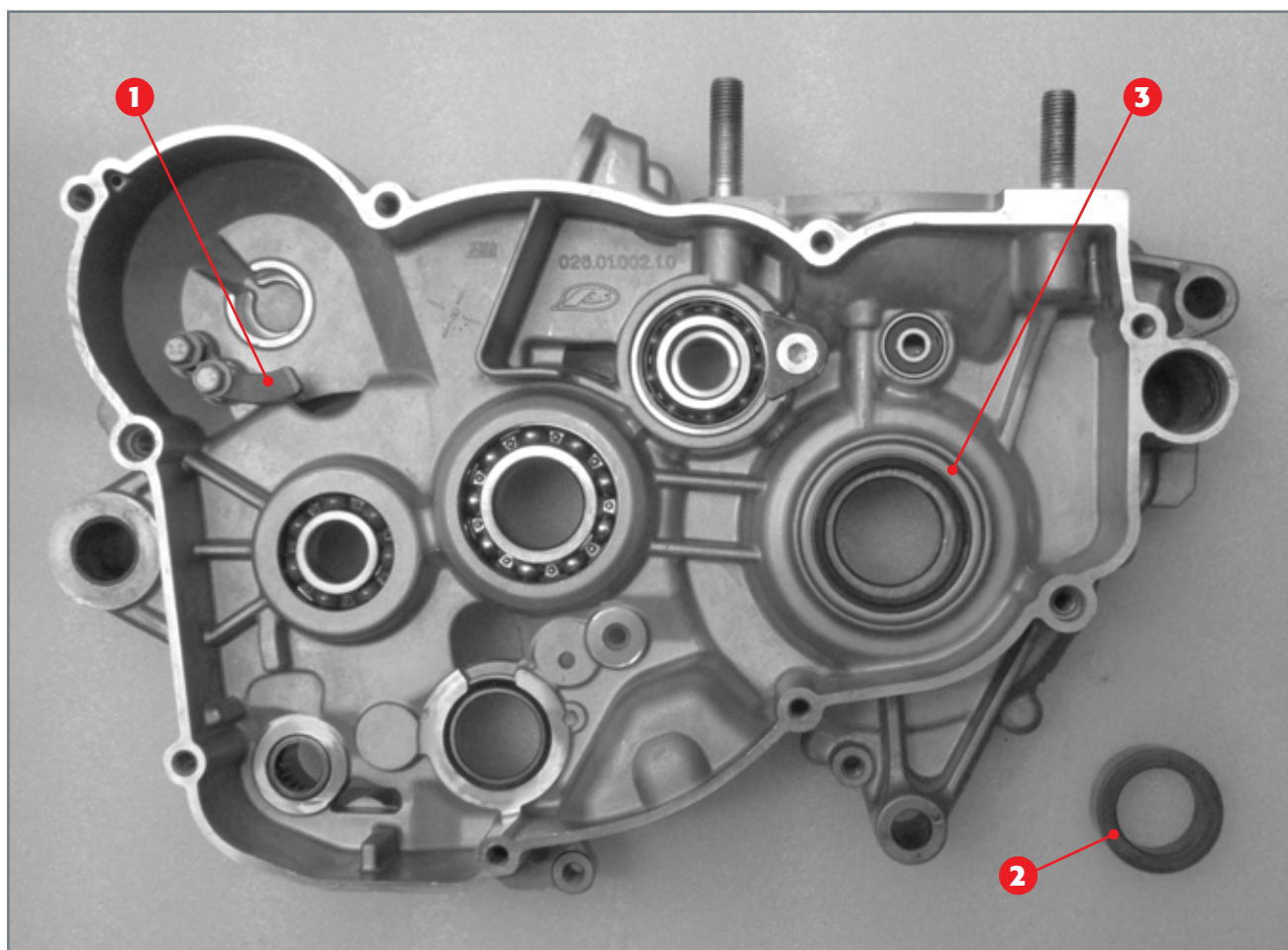
2.9 DISASSEMBLY OF PARTS FROM CRANKCASES

Once the crankcases have been detached, it may be required to remove the various components attached to them.

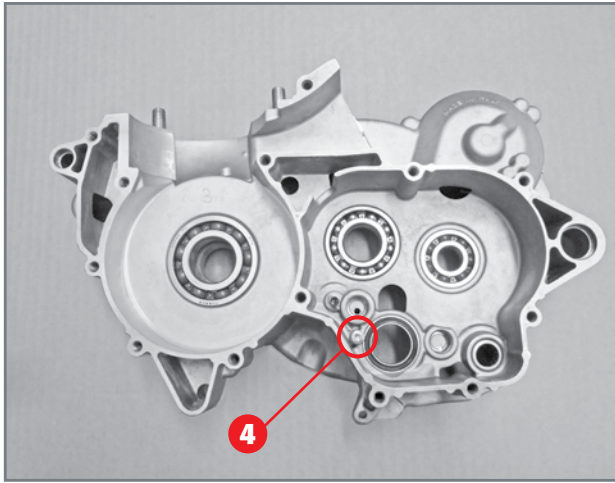
The bearings must be replaced if there is any play or jamming during rotation. For removal, heat the crankcase halves for 20 minutes at about 150°C. Place the crankcase halves on a large surface where their whole seal surface can rest. Remove the bearings by following the indications below.

2.9.1 RIGHT CRANKCASE HALF

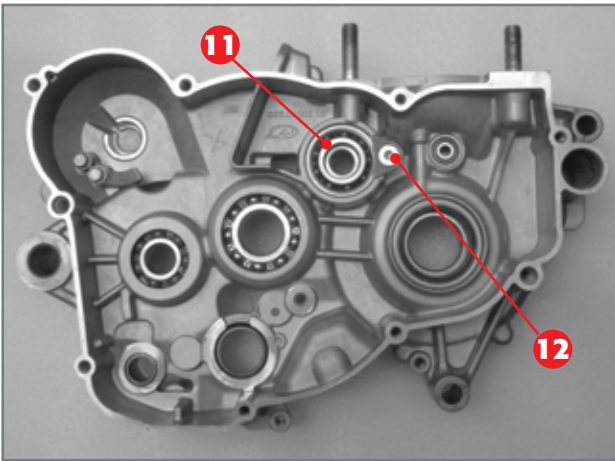
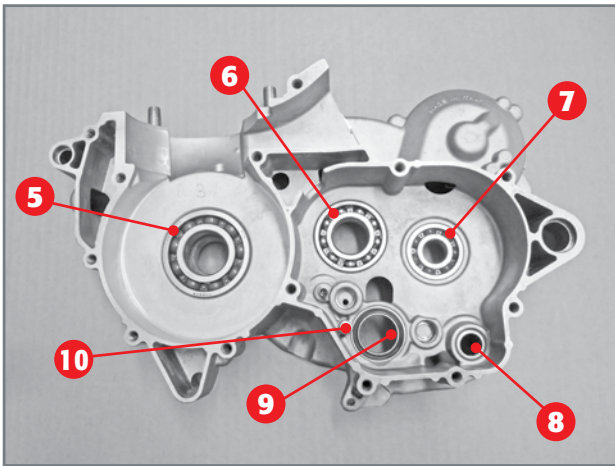
On the external side, remove the kickstart ramp 1 (optional), the crankshaft spacer 2 and relative O-ring and crankshaft oil seal 3.



Kickstart ramp 1), crankshaft spacer 2) (and relative O-ring), oil seal 3).



Bearing safety screw.



Remove the desmodromic control bearing seal screw **4** on the inside.

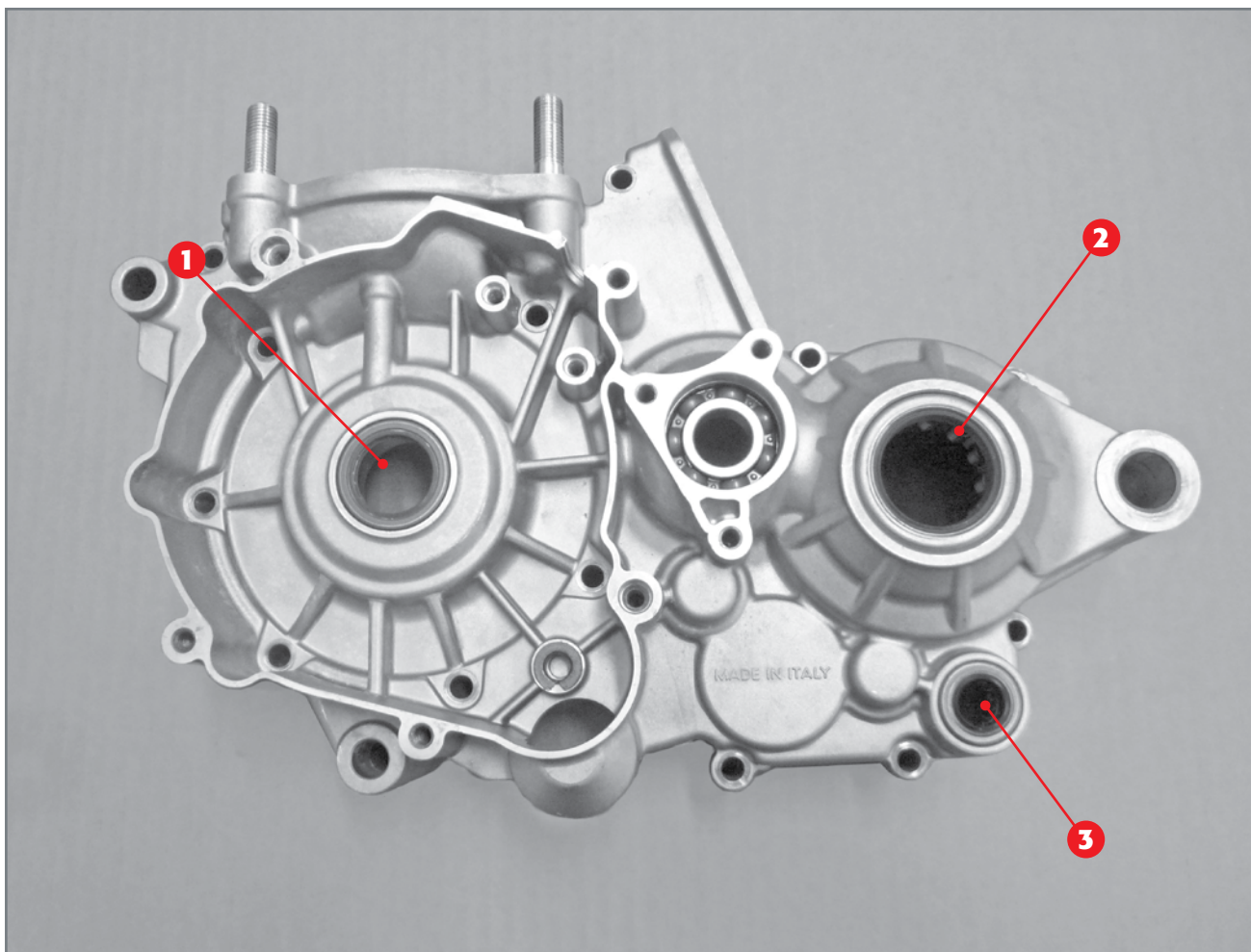
The bearings **5**, **6**, **7**, **8** and **9** are removed from the outside inwards.
To disassemble bearing **9** remove the fixing screw **10**.

The bearing **11** is removed from the outside using a universal extractor, after removing the fixing plate **12**.

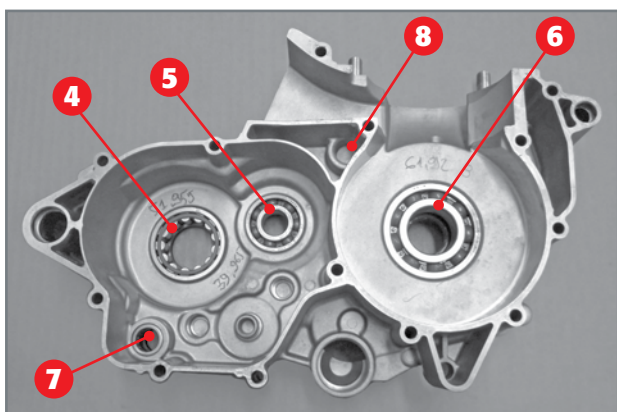
The centrifugal shaft bearing can be removed by using a universal extractor that must rest onto a purposely created metal plate.

2.9.2 LEFT CRANKCASE HALF

Remove the crankshaft oil seal **1**, the secondary shaft oil seal **2** and the gearshift shaft oil seal **3** on the external side.

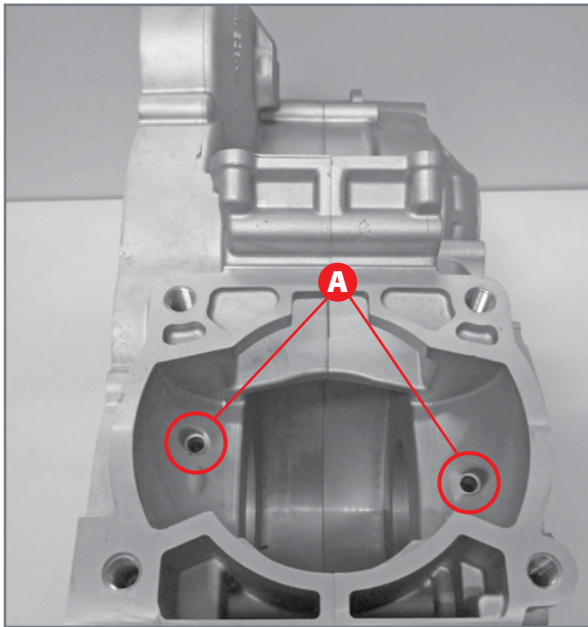


Removal of outer side left crankcase half oil seal.



Removal of left crankcase half bearings.

The bearings **4**, **5**, **6**, **7** e **8** are removed from the outside inwards.



Crankshaft bearings lubrication holes.

Before reassembling the engine, a series of crucial checks must be carried out to ensure the engine is in good working order.

In order to insert the bearings into the crankcase halves, heat the crankcase halves to 150°C and keep them at constant temperature for 20 minutes.

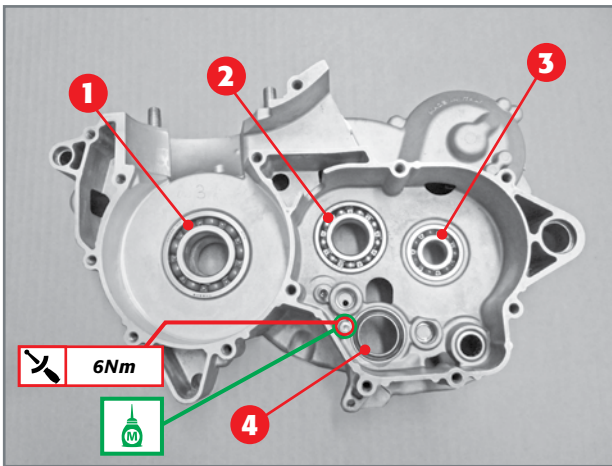
Place said crankcase halves on a large surface where their whole seal surface can rest. When the bearings cool down, they drop into their seats on their own.

3.1 CRANKCASE HALF

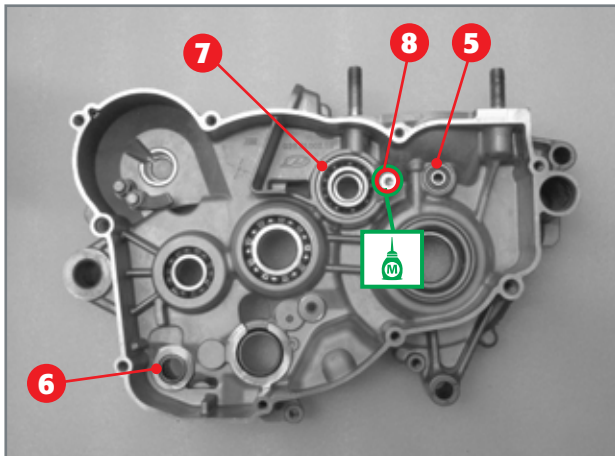
The crankcase halves have some parts that require care, and their integrity and condition must be checked. The checks and assembly operations of the individual parts coupled to the crankcases are described below. The threading and oil passages **A** should be cleaned thoroughly by using a degreaser and compressed air.

3.1.1 APPLICATION OF RIGHT CRANKCASE HALF PARTS

Apply the bearings 1, 2, 3 and 4 until flush. Block bearing 4 with the specific screw by depositing the threadlockers. Tighten to the specified torque.



Positioning of the right crankcase half bearings.

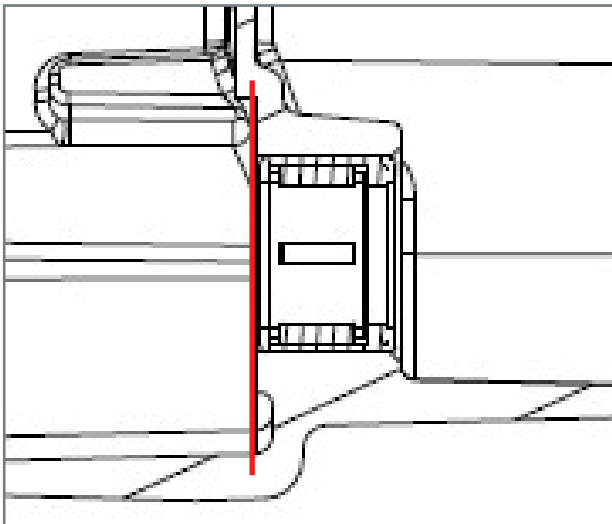


Application of bearings from the right crankcase half external side.

Apply the bearing 5 from the crankcase half external side, until it is flush, and bearing 6 as shown in the drawing.

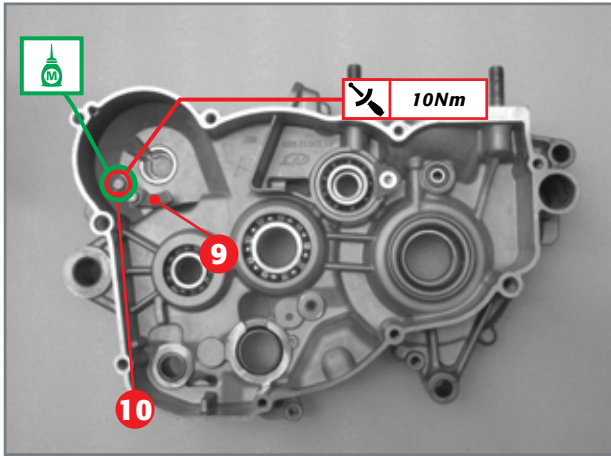
Apply new oil seals, to be pressed all the way until fully seated.

Apply the bearing 7 until flush. Apply the plate 8 and fasten it with a screw after applying medium strength threadlocker. Tighten to the specified torque.

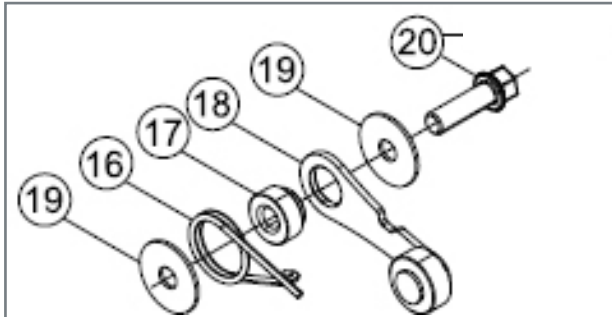


Position of right crankcase half gearshift shaft bearing.



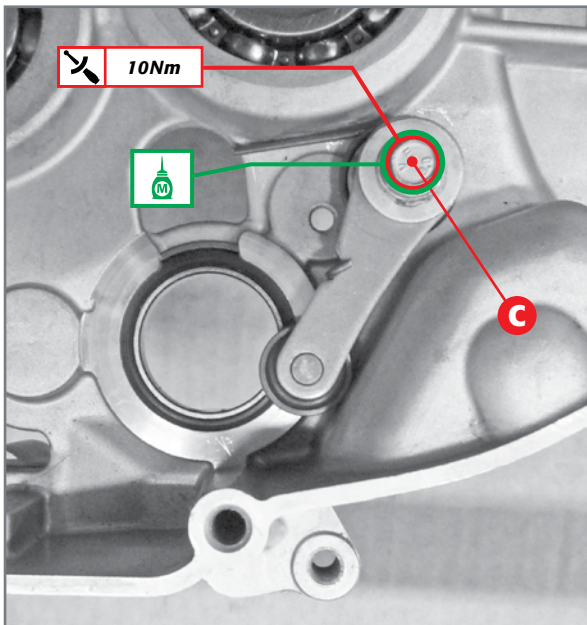


Application of kickstart ramp.



EXPLODED VIEW OF GEAR STOPPING DEVICE:

- 18) Lever;
- 16) Spring;
- 17) Spacer;
- 19) 6x20x1 washer;
- 20) Screw M6x20



Application of cam stop lever.

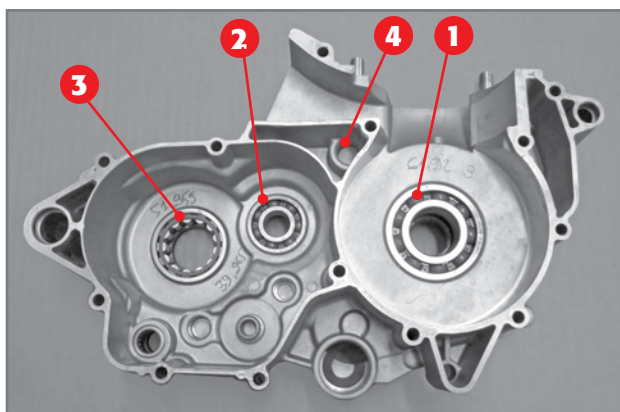
If present (optional), apply the kickstart ramp **9** and fasten the screws **10** at 10Nm, by depositing a medium strength threadlocker.

Apply the gear stopping device as follows. Keeping the tightener on lever **18** facing towards the crankcase half, apply the spacer **17** onto it, inserting the smaller diameter segment in the lever. Apply the spring **16** so that the hook fits into the groove on the lever **18** and then apply the washers **19** and the M6x20 screw **20**, after spreading medium strength threadlocker on the thread.

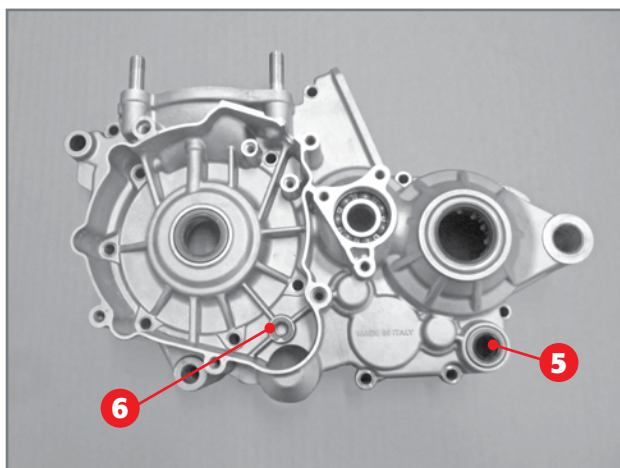
Apply the entire device on the crankcase half so that the straight segment of the spring rests on the bearing seat. Tighten the screw to the indicated torque.

3.1.2 APPLICATION OF LEFT CRANKCASE HALF PARTS

Apply the bearings 1, 2, 3 e 4 from the crankcase half internal side, until flush.



Application of left crankcase half bearings.



Application of left crankcase half parts.

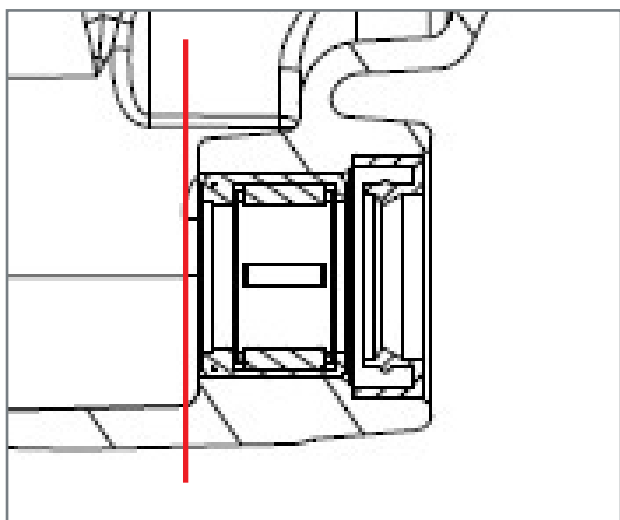
Apply the bearing 5 from the crankcase half external side, as shown in the drawing.

Apply the crankshaft oil seal, gear secondary shaft and gearshift shaft.

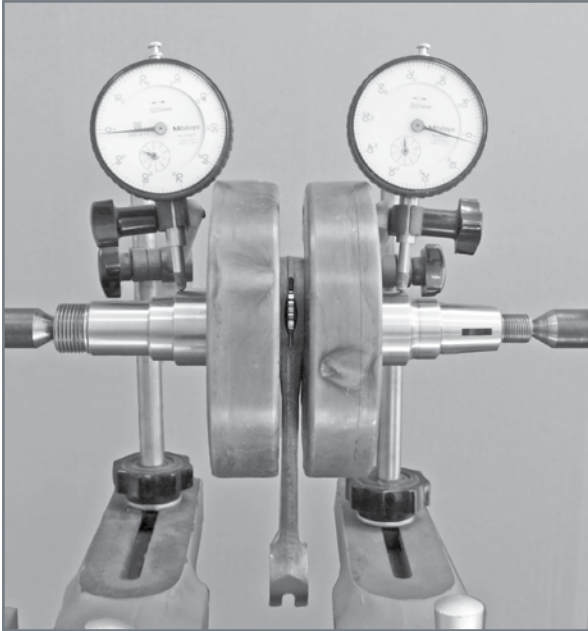
Apply the bush with collar 6.

Apply new oil seals, to be pressed all the way until fully seated.

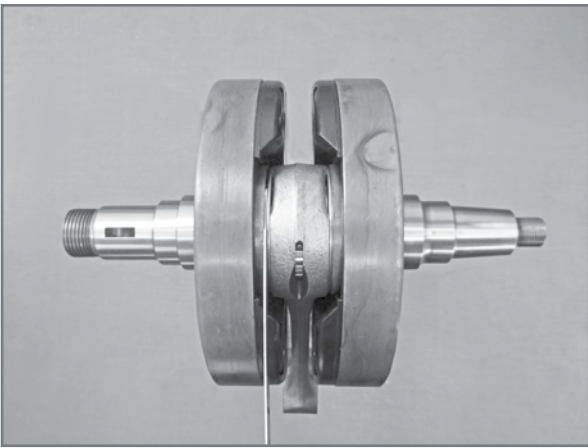
Apply new oil seals, to be pressed all the way until fully seated.



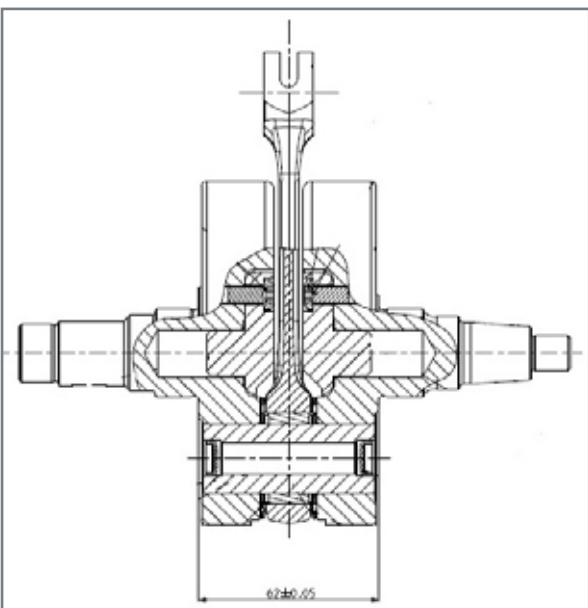
Position of left crankcase half gearshift shaft bearing.



Deflection/Off-centring of crankshaft.



Connecting rod axial play.



3.2 CONNECTING ROD AND ENGINE SHAFT CHECK

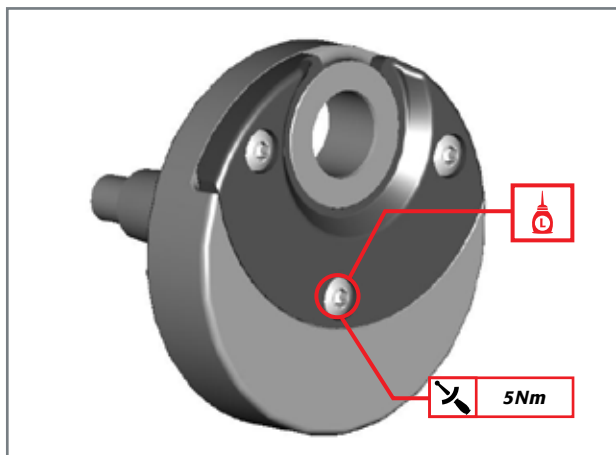
After having checked the state of wear of the coupling surfaces, check the offset of the half shaft axes (by measuring the radial oscillation) by placing the crankshaft in between two tailstocks or similar instrument. Verify the maximum measurement variation during a complete turn, using comparators positioned on the coupling surfaces with the crankshaft bearings.

Allowed limit value: 0.02mm

Check the axial play between the connecting rod head and the half shafts.

**Recommended play:
0.39÷0.72mm**

The distance between the two shoulders must be: 62 ± 0.05

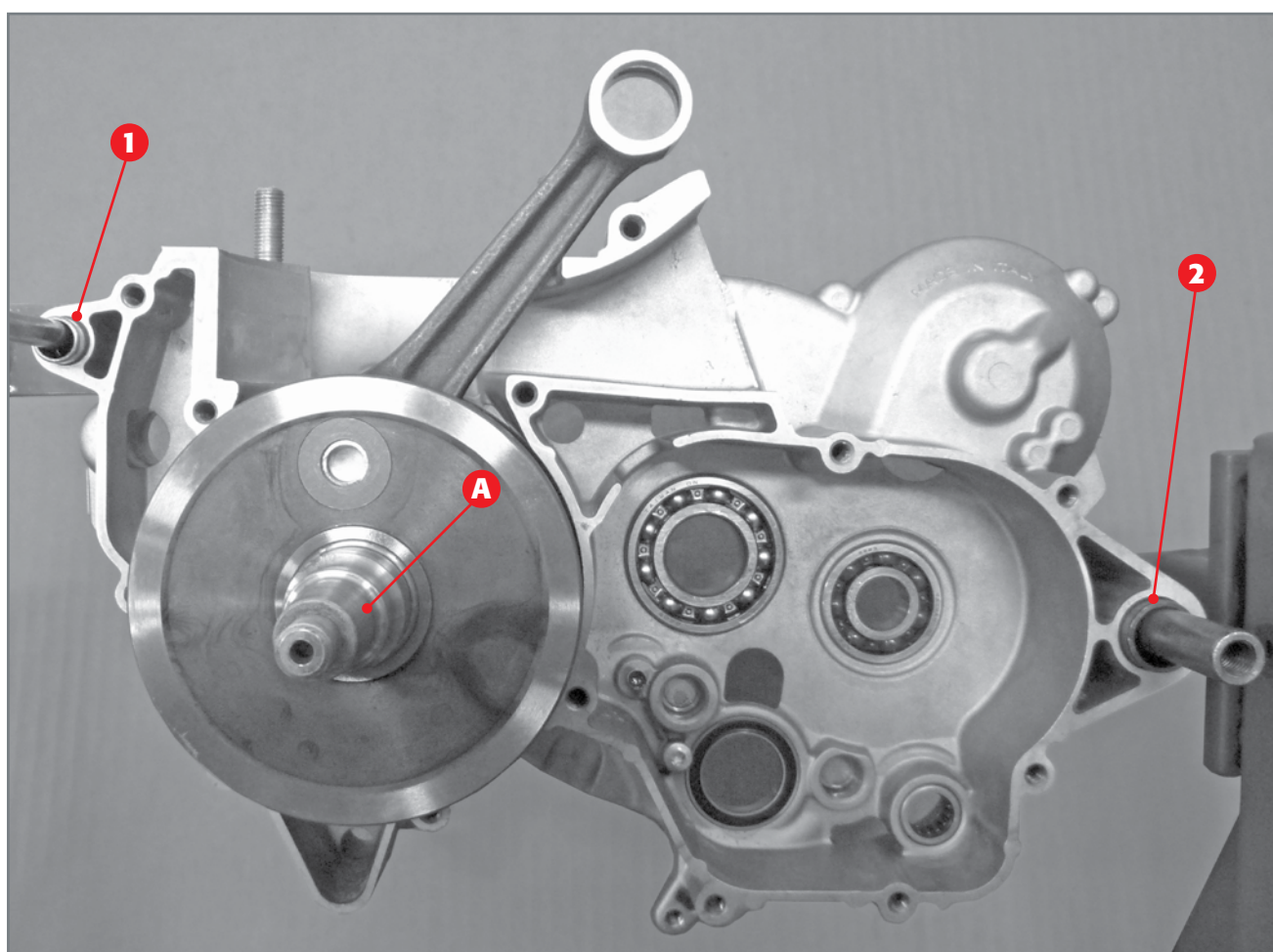


Half-shoulder

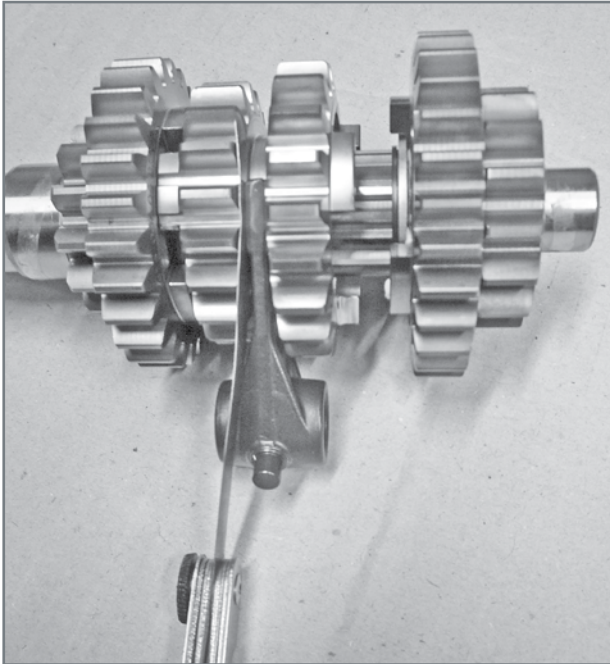
If replacing the inserts, apply the screws with high-resistance threadlocker and tighten at the specified torque.

3.3 ASSEMBLY OF COMPLETE CRANKSHAFT

When all the aforementioned checks have been carried out and the worn parts replaced, grease the crankshaft oil seal on the right crankcase half and couple the crankshaft to the left crankcase half. Keep the conical part **A** on the crankshaft facing you. In order to carry out this operation, you must just push the shaft axially towards the crankcase. Apply the two centring bushes **1** and **2**.



Insertion of the crankshaft in the right crankcase half.



Check of wear of forks and gearwheels.

3.4 GEAR UNIT: CHECKS AND REASSEMBLY

The gearbox unit is made up of the gearshift and of the gearbox itself. The gearshift in its turn is divided into external and internal gearshift.

The checks and procedures for inspecting and reassembling these units to the engine are set out below.

3.4.1 GEARBOX UNIT CHECK

Use protective jaws to clamp the main shaft and secondary shaft.

Use a thickness gauge to check the axial play between the gearshift forks and the gearwheels. The measured play must not exceed the service limit indicated below:

service limit: 0.5mm

If the measured axial play is greater, before replacing either the gearwheels or the forks, check the state of wear of the latter (par. 3.4.4)

Remove the various elements and check that:

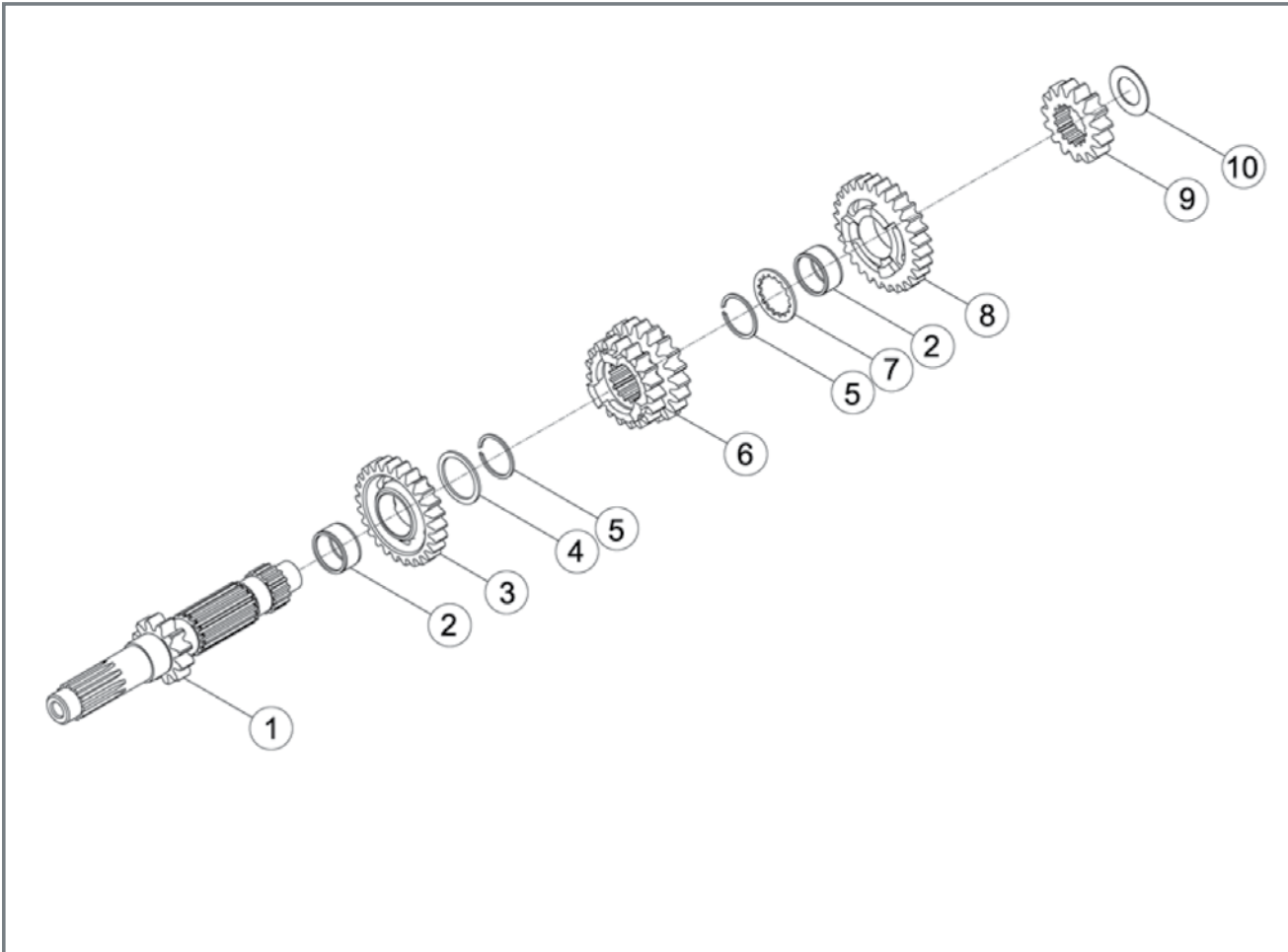
- the support surfaces of the main shaft and secondary shaft show no abnormal wear or signs of seizure;
- the sides of the teeth are free from chipping or abnormal wear;
- the sliding areas of the gearwheels show no abnormal wear or traces of seizure;
- the front claw clutches of the gearwheels are not chipped or rounded;
- the roller bearings are intact and efficient;
- none of the thrust washers show traces of abnormal wear or meshing.

Should any of these defects be found, replace the concerned parts.

3.4.2 PRIMARY UNIT ASSEMBLY

Before proceeding with reassembly, clean all the parts thoroughly and oil with gear oil. Always replace the circlips.

Clamp the main shaft **1** (using protective jaws), so that the grooved end faces downwards.



EXPLODED VIEW OF PRIMARY UNIT:

- 1) Main shaft;
- 2) Roller cage 22x26x13;
- 3) Fifth on primary;
- 4) Thrust washer;
- 5) Circlip sw15;
- 6) Third and fourth on primary;
- 7) Thrust washer;
- 8) Sixth on primary;
- 9) Second on primary;
- 10) Thrust washer 17x30x1

Insert onto the lower cylinder part of the shaft: the roller cage **2**, the 5th gear **3** turning the front claw clutches upwards, the thrust washer **4** (26x32x1.5) and the circlip **5**.

Insert the 3rd – 4th sliding gear **6** so that the smaller gear faces downwards, and then insert circlip **5**.

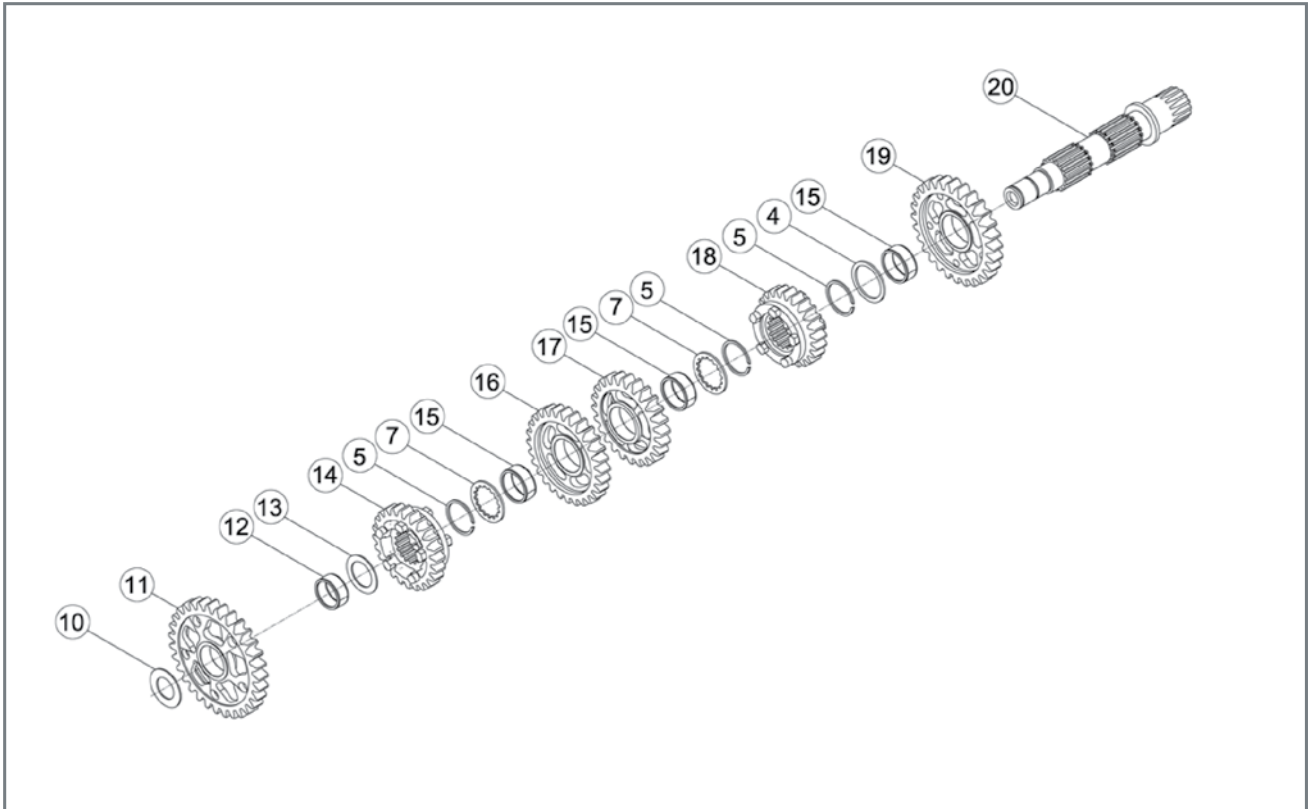
Insert the thrust washer **7** (23x32x1.5), the roller cage **2**, the 6th gear **8** with the front claw clutch facing downwards, the 2nd gear **9** with the cavity facing upwards and finally the thrust washer **10** (17x30x1).



3.4.3 SECONDARY UNIT ASSEMBLY

Before proceeding with reassembly, clean all the parts thoroughly and oil them by using gear oil. Always replace the circlips.

Clamp the secondary shaft **20** (using protective jaws), so that the grooved end faces downwards.



EXPLODED VIEW OF SECONDARY UNIT:

- 4) Thrust washer;
- 5) Circlip sw15;
- 7) Thrust washer;
- 10) 17x30x1 thrust washer;
- 11) First on secondary;
- 12) 20x24x10 roller cage;
- 13) 20x30x1 thrust washer;
- 14) Fifth on secondary;
- 15) Roller cage;
- 16) Third on secondary;
- 17) Fourth on secondary;
- 18) Sixth on secondary;
- 19) Second on secondary;
- 20) Secondary shaft

Insert onto the lower cylinder part: the roller cage **15**, the 2nd gear **19** so that the front claw clutches face downwards, the thrust washer **4** (26x32x1.5) and the circlip **5**.

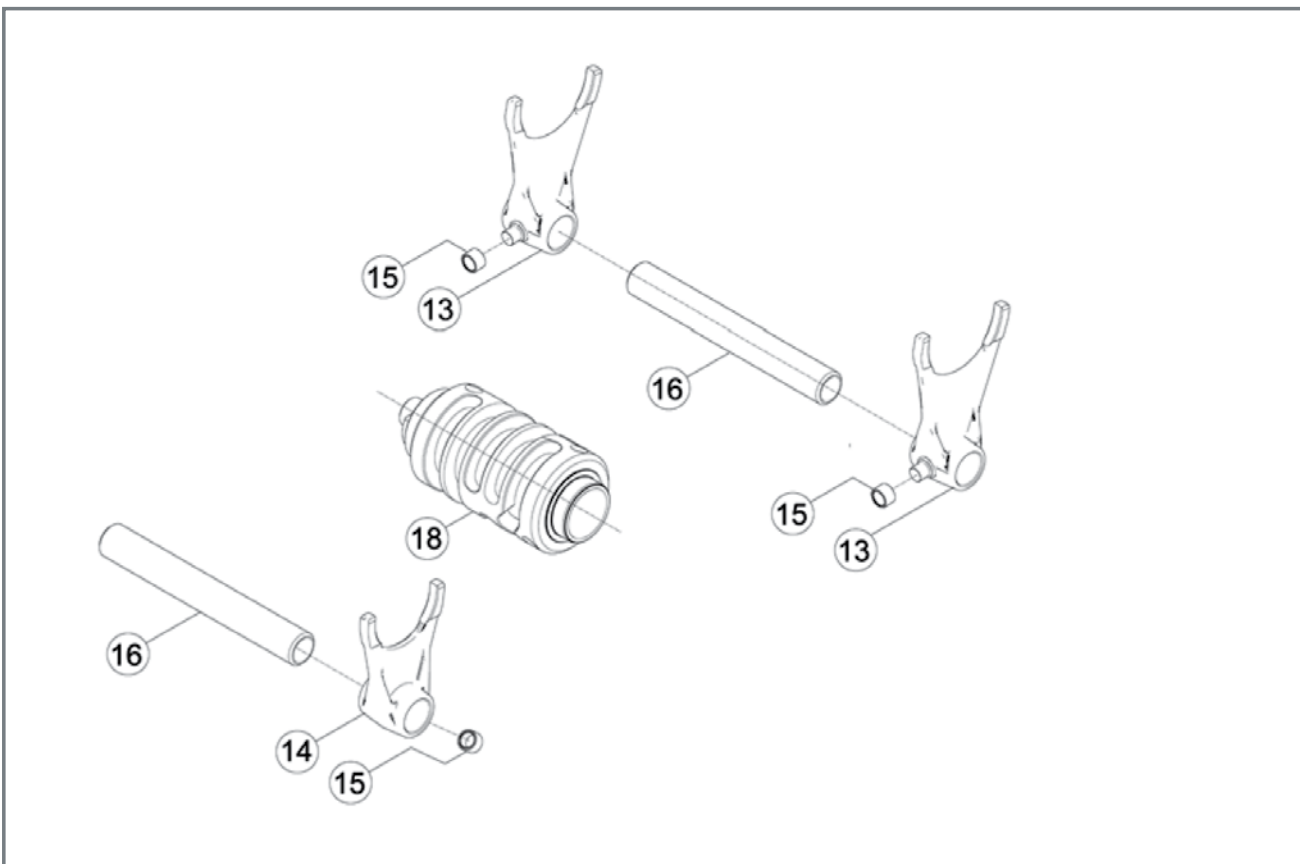
Insert the 6th gear **18** so that the fork seat faces upwards and circlip **5**.

Insert the thrust washer **7** (23x32x1.5), the two roller cages **15**, the 4th gear (**17**) with the front claw clutches facing upwards, the 3rd gear (**16**) with the front claw clutches facing downwards, the thrust washer **7** (23x32x1.5) and the circlip **5**. Insert the 5th gear (**14**) with the fork seat facing downwards, the thrust washer **13** (20x30x1), the roller cage **12**, the 1st gear (**11**) with the front claw clutches facing upwards and finally the thrust washer **10** (17x30x1).

3.4.4 CHECKING THE FORKS, FORK PINS AND DESMODROMIC DEVICE

The internal gearshift is made up of:

- two forks **13** which drive two gears on the secondary unit;
- one fork **14** which drives one gear on the primary unit;
- three guide pin bushes **15**;
- two fork pins **16**;
- desmodromic gearshift **18** whose rotation drives the forks thus selecting the desired gear.

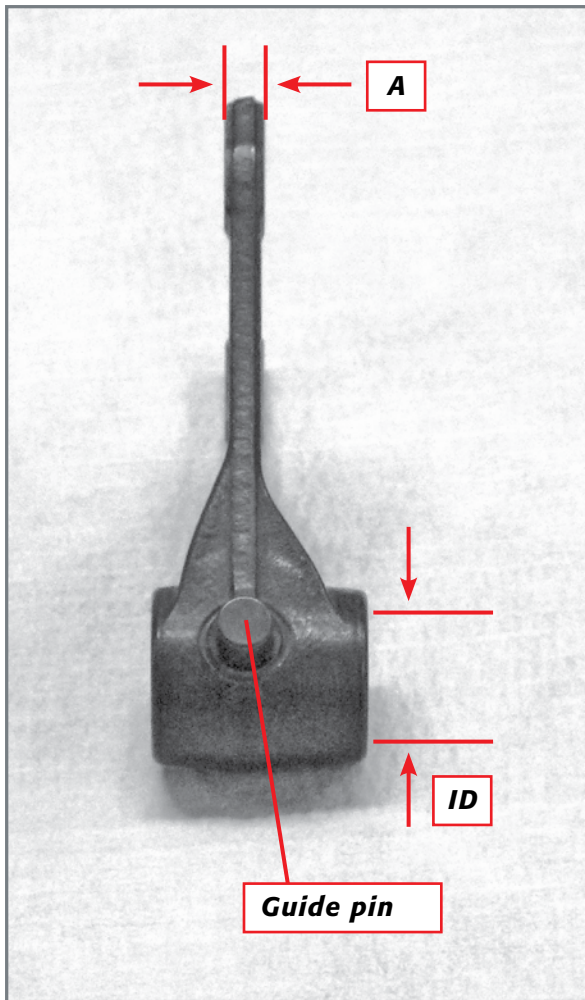


EXPLODED VIEW OF INTERNAL GEARBOX CONTROL UNIT:

- 13)** 1st - 4th fork;
- 14)** 5th-6th fork;
- 15)** bush;
- 16)** fork pin;
- 18)** desmodromic control

Check to make sure that the guide pins that support the bushes **15** have no traces of meshing or abnormal wear and that the bushes are not worn.





Make sure the distance **A** between the outer faces of the fork is not less than the minimum indicated below:

Minimum acceptable distance: 4.25mm

Check to make sure that the inside diameter **D** of the fork pin seats is below the limit:

Fork inside diameter limit: 13.83mm

Make sure that the fork pins on which they slide have an outside diameter above the limit (to be measured in the sliding areas of the forks and in the housing areas with the crankcases):

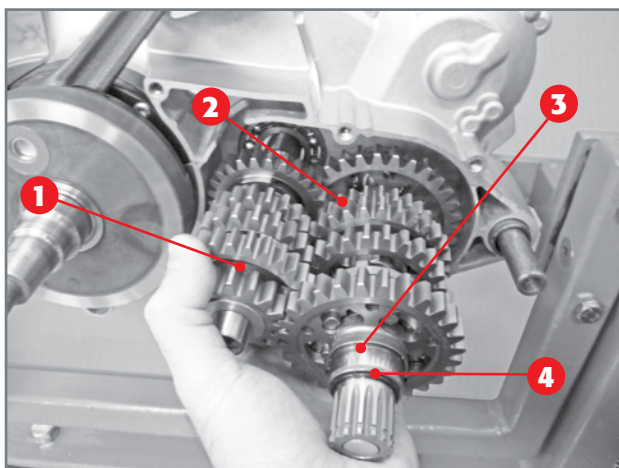
Fork pin outside diameter limit: 13.75mm

Make sure that the desmodromic control device has no corroded or worn areas especially in the grooves in which the guide pins of the forks are engaged.

Check the bearing on the desmodromic device. Replace it in the event of signs of meshing or jams during motion.

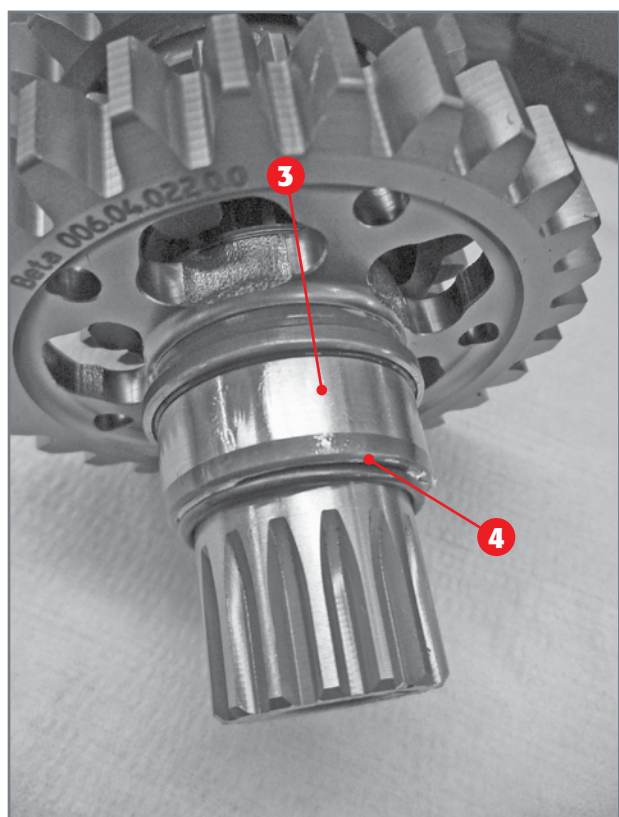
3.4.5 GEARBOX AND INTERNAL GEARSHIFT ASSEMBLY

Insert the entire primary 1 and secondary unit 2 into the respective seats on the left crankcase half simultaneously. Remember to oil the gears with plenty of gear oil and to grease the shafts supporting them with graphite grease in the mating areas with the bearing. Make sure that all the parts slide properly.

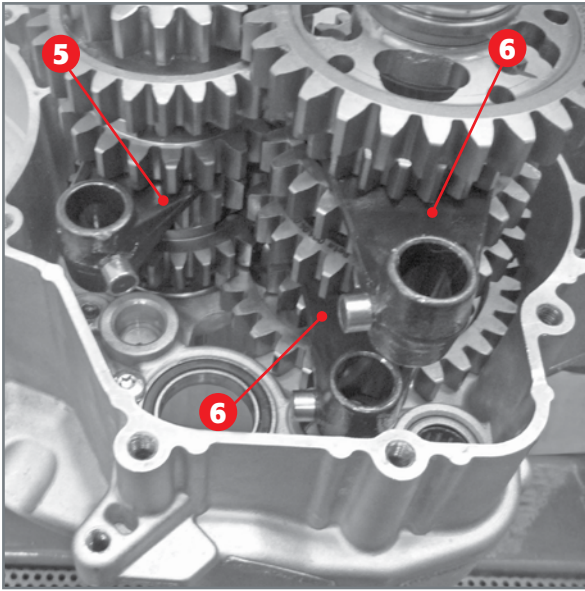


Insertion of the gearbox in the left crankcase half.

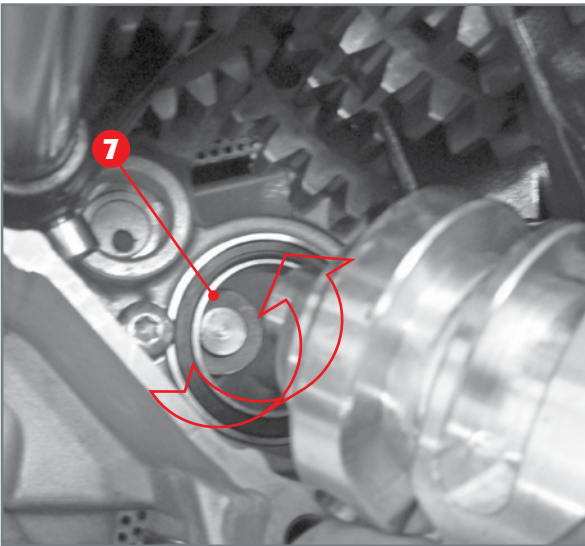
Insert the centre bearing 3 and the O-ring 4 on the secondary unit.



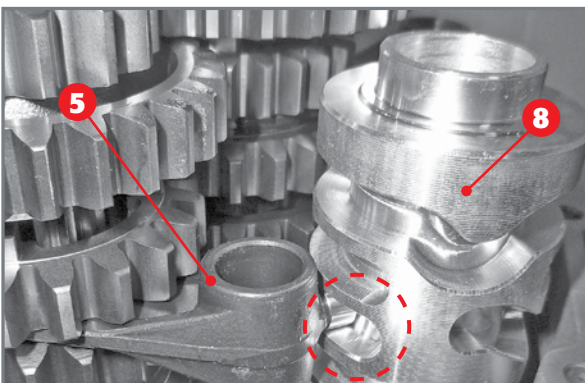
Detail of centre bearing 3 and O-ring 4 coupled to the secondary shaft.



Application of forks to gearwheels.



Insertion of desmodromic device in the specific bearing. Note the rotation of the gear stop lever.



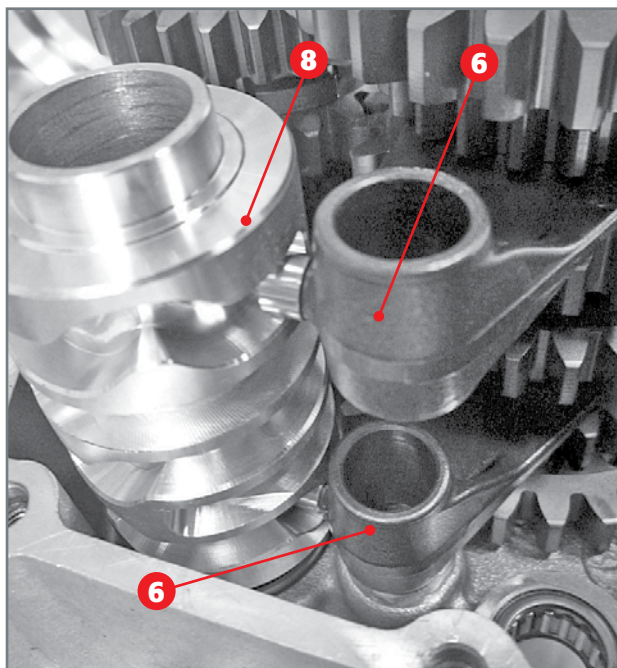
Place fork 5 of the primary unit in the central guide of desmodromic device 8.

Introduce the forks together with the guide bushes on the gear tracks. Namely: the smaller fork 5 drives the sliding gear on the primary unit, while the other two (6) drive the sliding gears on the secondary unit.

Note: the two forks 6 are interchangeable and their positioning is univocal, since the drive pin must face the desmodromic device. Place the forks in their original positions if none of the components are replaced.

Insert the desmodromic device in the specific bearing. In order to do this, the cam stop lever 7 must be rotated towards the top part of the engine.

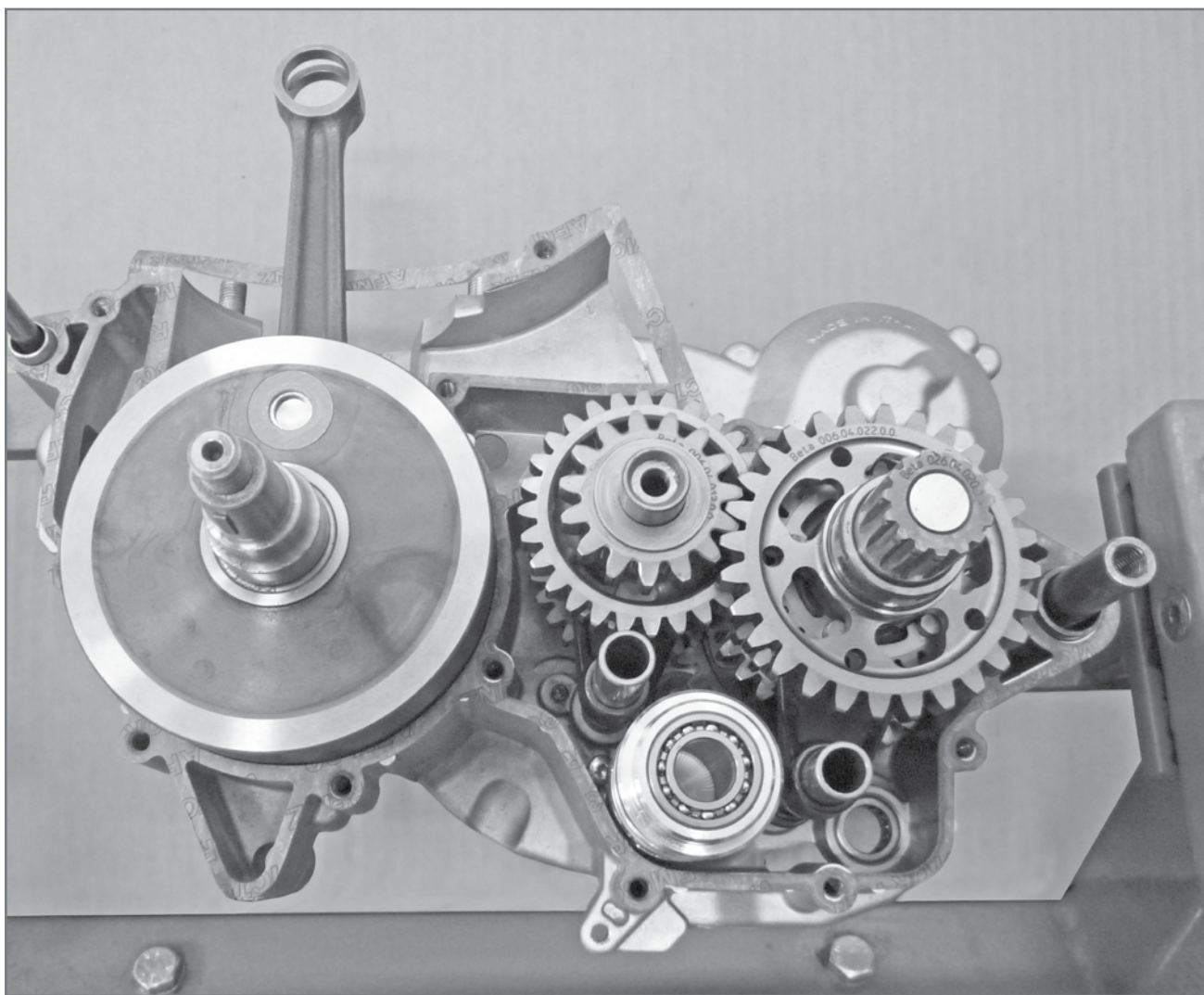
Position the fork 5 of the primary unit in the central guide of the desmodromic device 8, insert the fork pin inside the fork and insert the pin in its specific seat in the crankcase half.



Positioning of the secondary unit forks 6. In the external guides of desmodromic device 8.

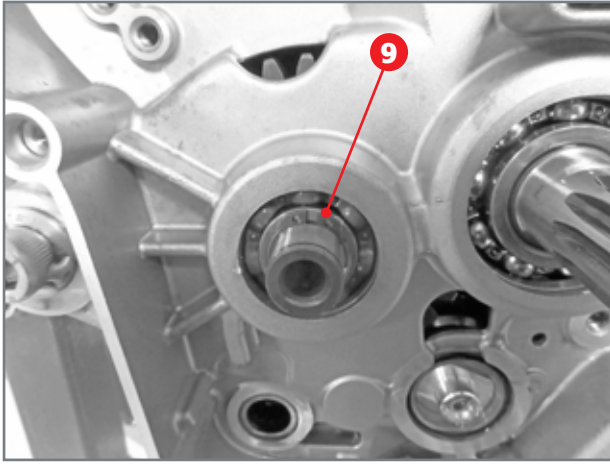
Position the two forks **6** of the secondary unit in the external guides of the desmodromic device **8** and, just like the primary unit fork, insert the fork pin first in the pins and then in its proper seat. Remember to oil the shafts, forks and the desmodromic device with plenty of gear oil.

Apply some grease on the crankcase edge in the mating area with the gasket and place a new gasket.



View inside the right crankcase with crankshaft, gearbox shafts complete with wheels, internal gearshift and gasket.

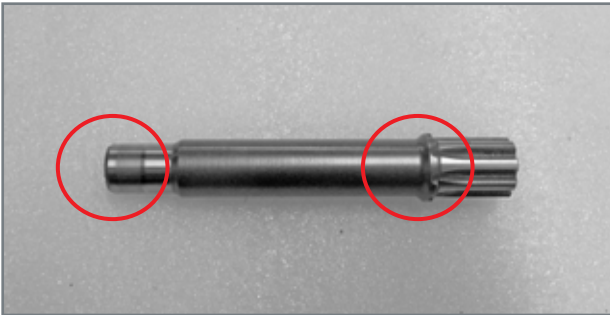




Apply circlip **9** on the clutch side gearbox secondary.

3.4.6 COUNTERWEIGHT SUPPORT SHAFT

Check that the areas where the shaft rests on the bearings are intact and free of any traces of meshing or abnormal wear. Otherwise replace the shaft.



Insert the shaft all the way as shown in the figure.



3.5 CLOSING THE ENGINE CRANKCASE

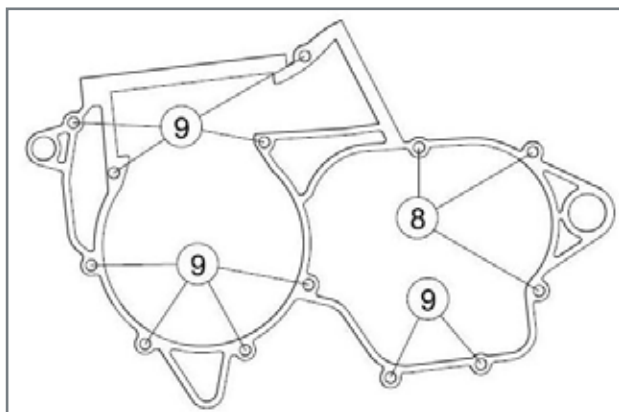
Apply a thin layer of grease on all oil seals. Heat up the engine shaft bearing on the left crankcase half, being careful not to burn the oil seal. Press the left crankcase half towards the right, making sure that the shafts and pins on the crankcases fit into the respective housings and that the crankcase half is not offset.

By heating the bearing it will be possible to manually move close to the right crankcase half.

Put the clamping screws in place based on length, as pictured.

The table below contains indications for applying these screws.

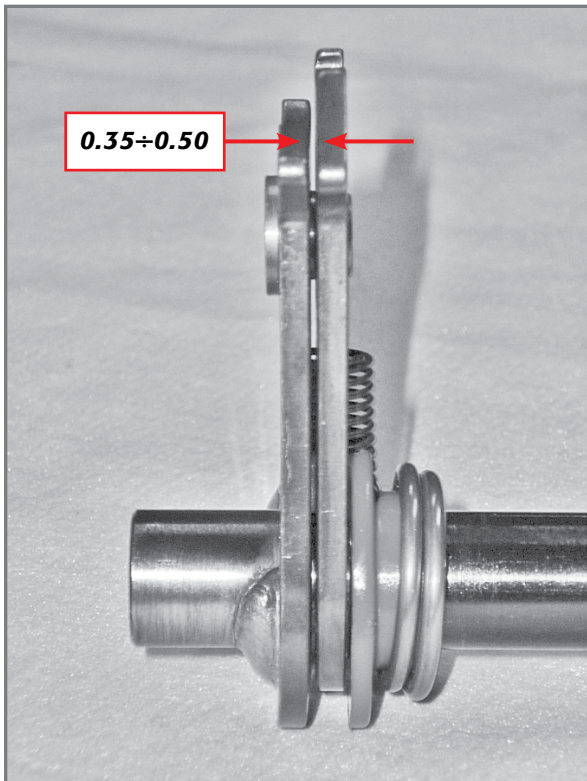
Tighten according to a cross sequence.



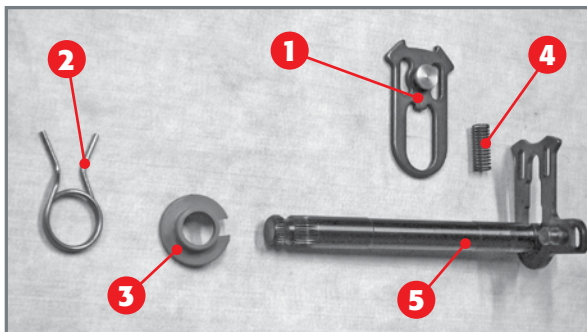
Positioning of crankcase coupling screws.

Screw number	Screw size		Threadlocker application	Tightening torque [Nm]
	Threading diameter	Threading length		
8	M6	40	NO	10
9	M6	50	NO	10

Cut the extra piece of gasket between the two crankcase halves in the area of the cylinder and reed valve seat.



Allowed distance between shaft and pawl.



Complete drive shaft: 1) Movable pawl; 2) Gearshift return spring; 3) Spring guide; 4) Spring; 5) Gearshift drive shaft.

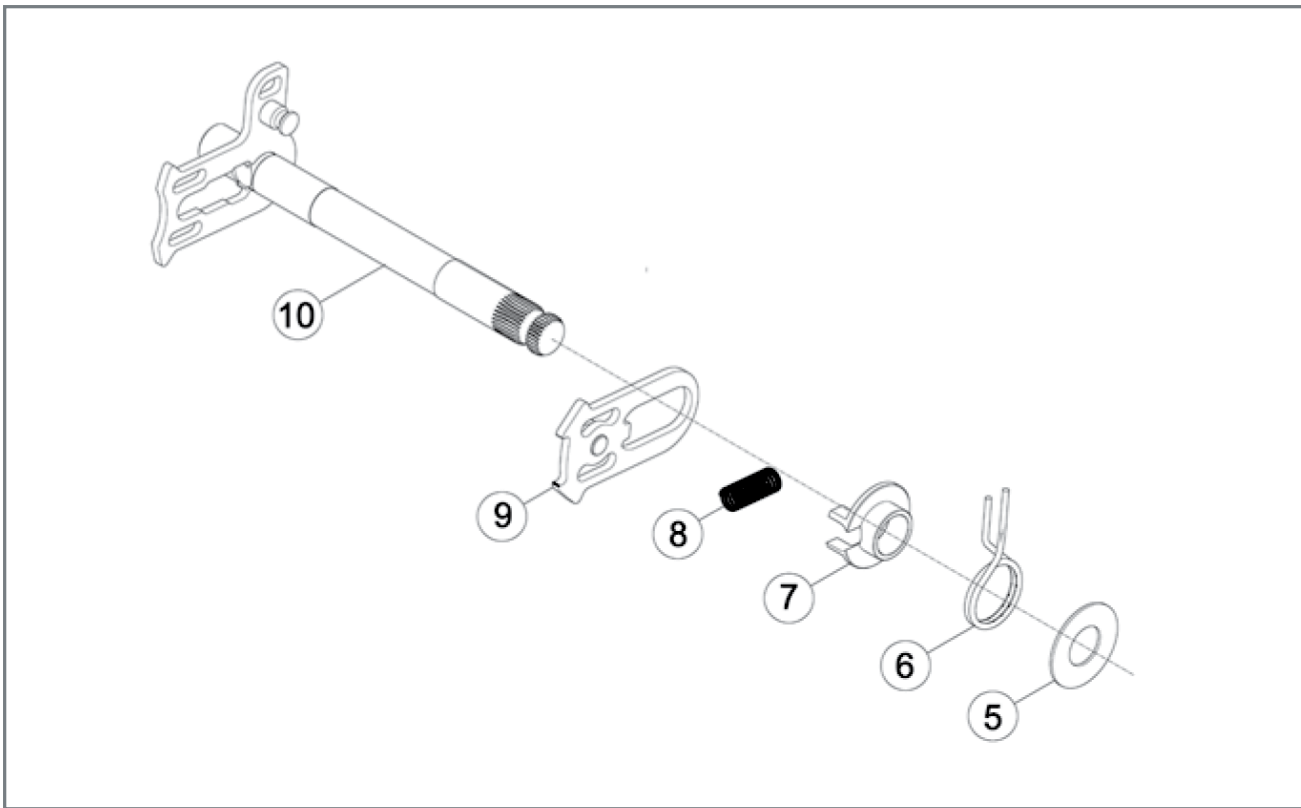
3.6 EXTERNAL GEARSHIFT

Before reassembling the external gearshift, check its state of use. While for the stop cam it is enough to make sure it is free from abnormal wear or meshing, the gearshift drive shaft needs more in-depth inspections.

3.6.1 CHECKING THE COMPLETE DRIVE SHAFT

With the complete device, make sure that the distance between the movable pawl and the drive shaft is between **0.35÷0.80mm**. Should the distance be greater, replace the movable pawl.

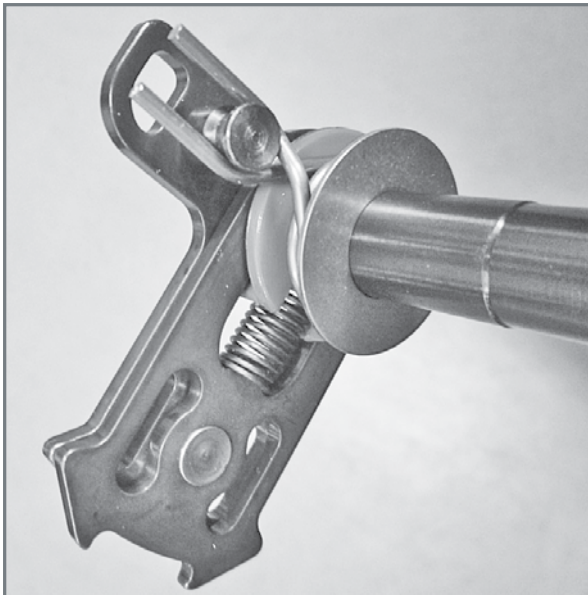
In order to replace the movable pawl **1**, disassemble the return spring of the gearshift **2**, the spring guide **3**, the spring **4** (which must be compressed and pulled out of its seat) and the pawl, moving it completely towards the shaft **5**.



Exploded view of gearshift.

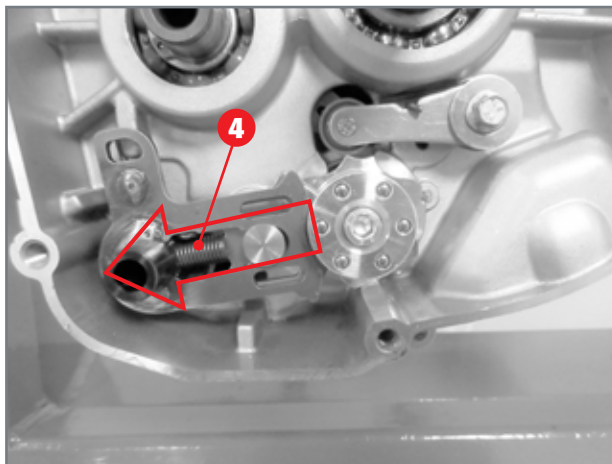
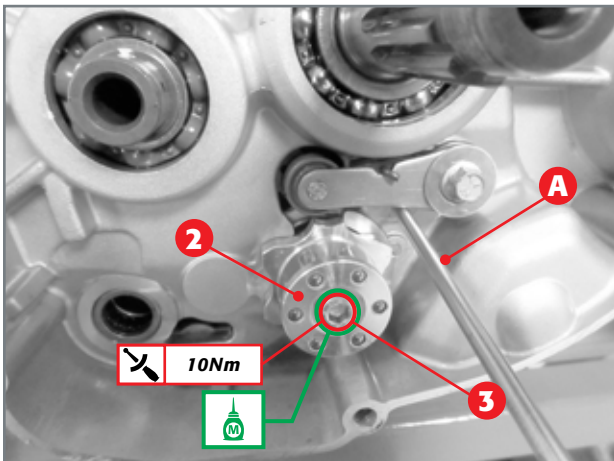
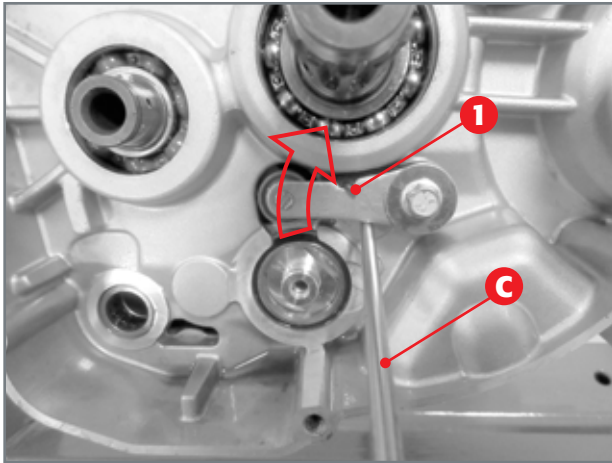
- 5) 14x30x1 thrust washer;
- 6) Gearshift return spring;
- 7) Spring guide;
- 8) Pawl return spring;
- 9) Movable pawl;
- 10) Gearshift shaft.

For reassembly, couple the movable pawl **9** to the drive shaft **10** and, while compressing it, insert the spring **8** between the movable pawl and the drive shaft. Then apply the spring guide **7**, the gearshift return spring **6** and finally the thrust washer **5** (14x30x1).



Gearshift drive shaft: note the gearshift return spring position.

The gearshift return spring must be positioned as in the figure to be able to carry out its function.



3.6.2 EXTERNAL GEARSHIFT ASSEMBLY

Rotate the gear stop lever **1** clockwise so that the spring is compressed. To keep the lever in this position, an aluminium rod **A** can be inserted into the small hole, as shown in the figure.

Apply the gear stop cam **2** to the protruding end of the desmodromic control. The stop cam has only one correct position, which is determined by the specific shape of the end of the desmodromic device and of the bottom part of the stop cam. Next, fit the M6x30 tightening screw **3** between the stop cam and the desmodromic control, after applying medium-resistance threadlocker: tighten at the indicated torque.

Remove the rod **A**.

Insert the drive shaft together with the specific washer in its seat whilst keeping the return spring **4** of the movable pawl pressed.

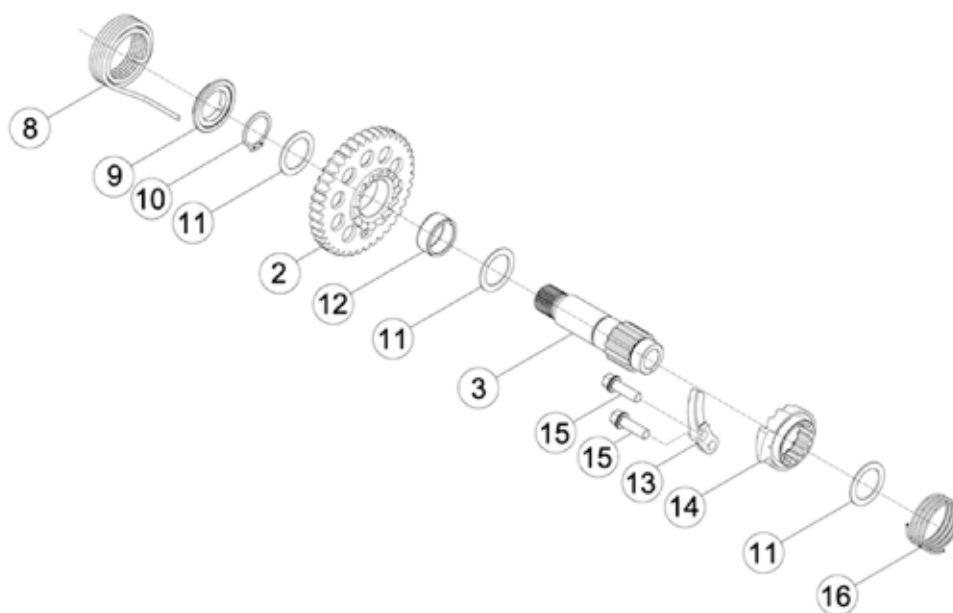
If you want to test the correct operation of the entire unit, you just need to temporarily couple the external gearshift lever and to simulate the operation of changing gears, by lifting and lowering the gearshift lever and having the main shaft of the gear unit rotate. The whole device works properly if no abnormal jamming occurs. If the unit runs without oil, the device makes more noise than usual.

3.7 KICKSTARTER DEVICE - OPTIONAL

Before coupling the kickstarter to the crankcase half, some checks must be carried out.

3.7.1 CHECKING THE KICKSTART SHAFT UNIT AND ASSEMBLY

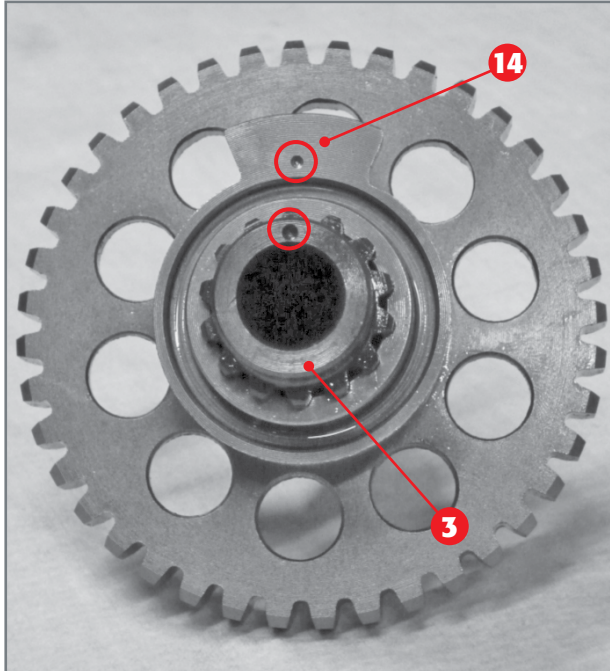
In order to disassemble all the parts of the kickstart shaft, pull off the washer **11** at the end of the shaft (on the spring side **16**), the spring **16**, the kickstart sleeve **14**, and the lever return spring **8**, which must be pulled in the radial direction so that it is extracted from its hole in order to be released from the shaft.



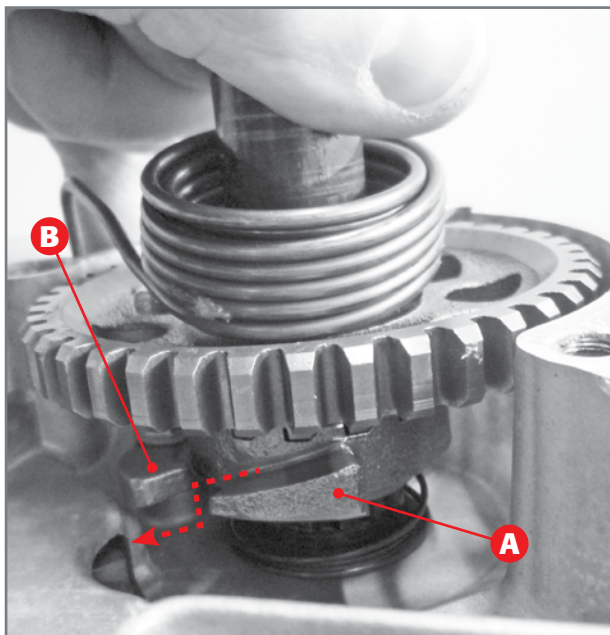
EXPLODED VIEW OF COMPLETE KICKSTART SHAFT:

- 2) Kickstart gear;
- 3) Kickstart shaft;
- 8) Kickstart return spring;
- 9) Kickstart spacer;
- 10) 20E circlip;
- 11) Washer thickness 20x28x1 DIN 988;
- 12) K20x24x10 roller bearing;
- 14) Kickstart sleeve;
- 16) Spring.





Positioning of sleeve on small shaft.



Positioning of sleeve A below lever B.

Remove the kickstart spacer 9, expand the circlip 10, allowing for the removal of washer 11, of kickstart gear 2 together with roller bearing 12 and washer 11. This frees the kickstart shaft 3 from all other parts.

Make sure that the side of the kickstart gear teeth 2 has no signs of meshing or notable superficial wear. Make sure that the front teeth (sleeve side 14) are not chipped. Replace any part that shows the aforementioned defects.

Make sure that the front teeth of the sleeve 14 are not chipped and that the spring 16 is capable of exerting enough pressure on the sleeve 14 so that this can pull the wheel 2.

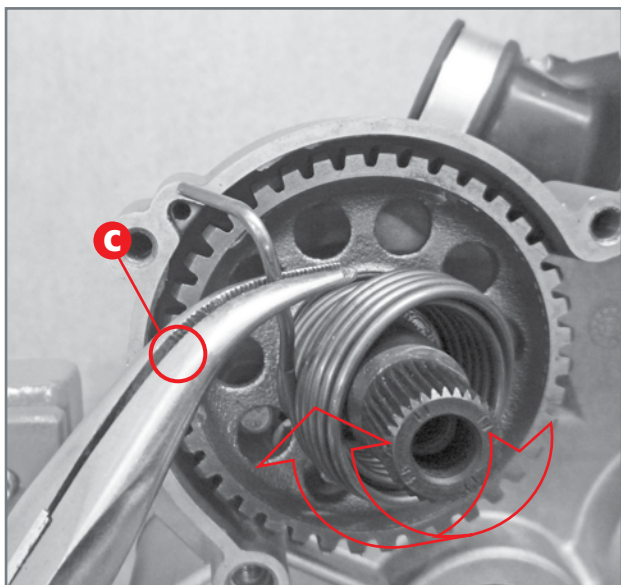
Also check to make sure that no washers have any abnormal or excessive wear. If so, replace them. Make sure that the spring 8 has no cracks or abnormal deformation. Replace if it is not able to bring the external kickstart lever back to the rest position.

For reassembly, follow the above disassembly procedure in reverse order.

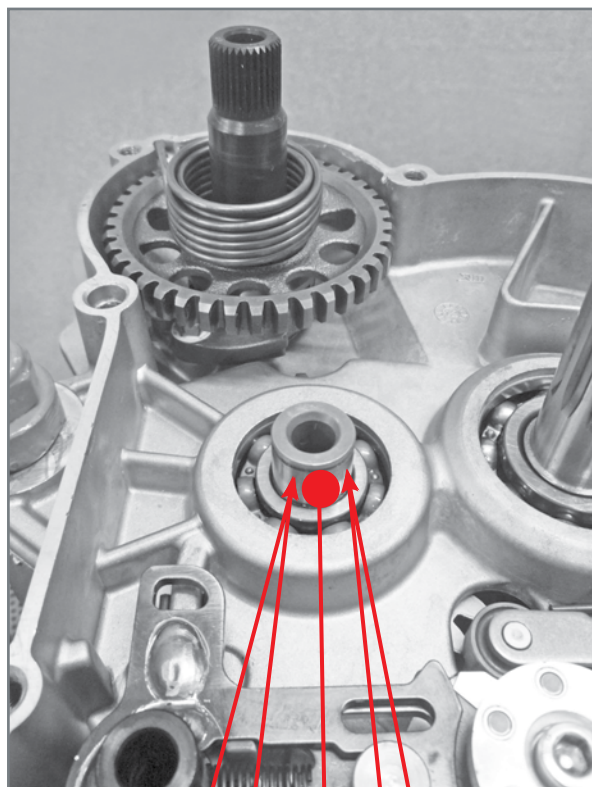
Pay attention to the correct positioning of the sleeve 14 in respect to the shaft 3. The front of the shaft has a reference sign, just as the sleeve 14 does: the two references must match.

3.7.2 Assembly of kickstarter device

Insert the complete kickstart shaft in its housing, keeping the thin-striped facing outwards and making sure that the ramp A on the kickstart sleeve is positioned below the ramp B bolted onto the right crankcase half (external side).



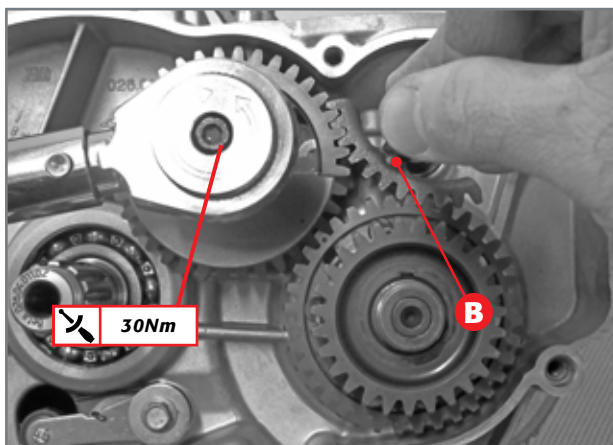
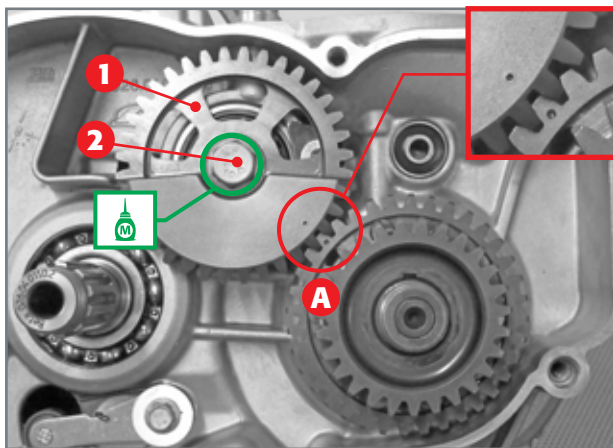
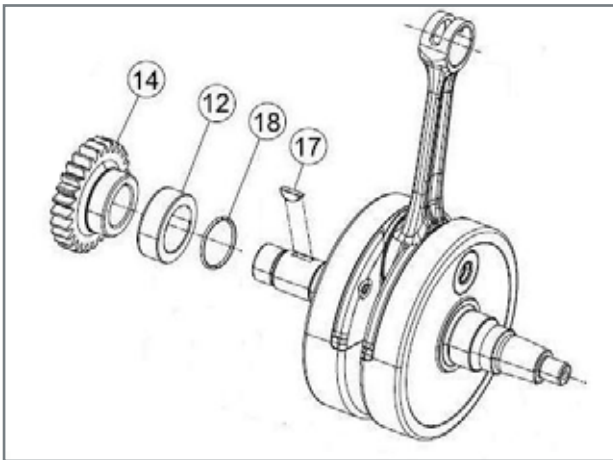
Insertion of kickstart return spring.



Kickstart device unit coupled to the crankcase.

Turn the spring clockwise until it fits into the specific hole **C**.

Insert in the slot on the protruding segment of the secondary shaft: the circlip **18**, the rose-petal **17**, the idler wheel **4** followed by the rose-petal **17** and the circlip **18** as shown in the figure.



3.8 COUNTERWEIGHT, PRIMARY GEAR AND CLUTCH UNIT

Before reassembling the clutch unit, it is required to carry out some checks on the various components described below.

3.8.1 INSPECTION OF COUNTERWEIGHT AND PRIMARY GEAR

Check that the teeth of the primary gear and the counterweight are free from nicks and traces of abnormal wear. Otherwise, replace the worn parts.

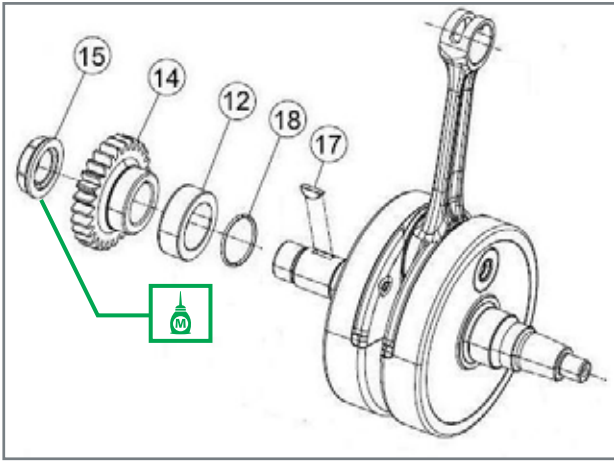
3.8.2 APPLICATION OF PRIMARY GEAR AND COUNTERWEIGHT

Apply the O-ring 18, the spacer 12 and gear 14 on the right half shaft so the appropriate groove fits with the Woodruff key 17.

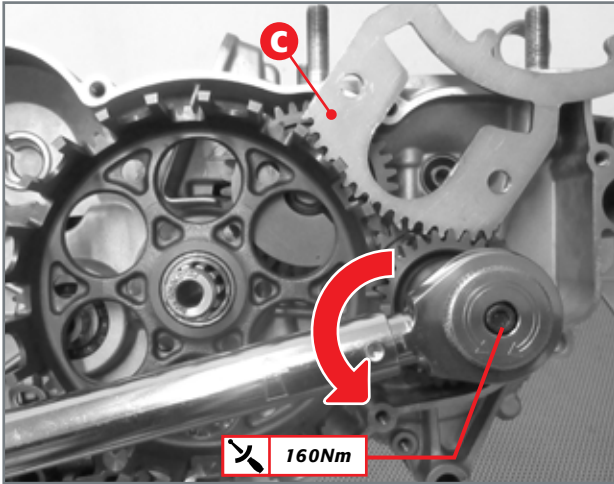
Apply the counterweight 1 on the support shaft, taking care to align the references A on the counterweight and primary gear.

Apply the screw 2 on the counterweight support shaft after applying medium strength threadlocker.

Keeping the primary gear/counterweight coupling firmly in place with a special tool B (code 026.14.012.50.00), tighten the screw 2 to the indicated torque.



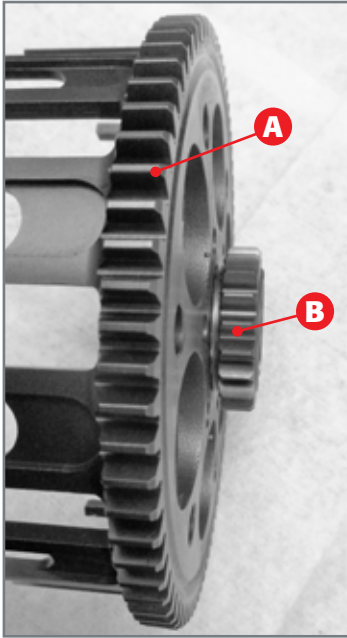
Apply the lock nut **15** after applying medium strength threadlocker; tighten at the indicated torque.



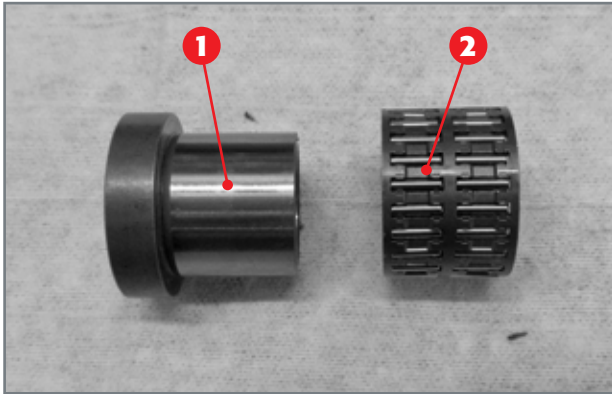
This is possible once the clutch case is inserted using the primary special tool **C** (code 029.14.002.50.00). See Par. 3.8.3 to apply the clutch case.

ATTENTION!

The nut is fastened anti-clockwise



Case gears



Centre bearing and roller bearing

3.8.3 CHECKING THE CLUTCH CASE, ROLLER BEARING AND INTERNAL CENTRE BEARING

Before reassembling the clutch case, make sure that the sides of the teeth **A**, designated for main transmission and **B**, designated for meshing with the kickstart idler gear and oil pumps, have no superficial nicks or abnormal wear.

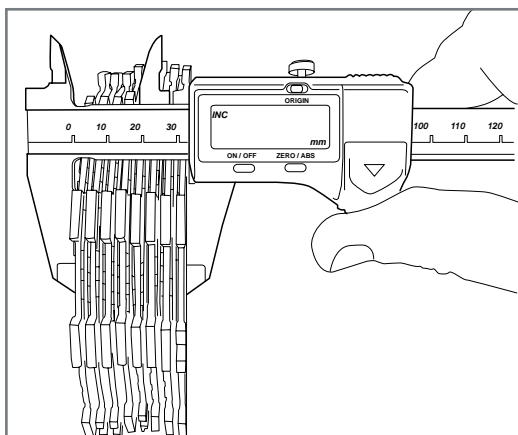
Check the condition of the internal centre bearing **1** which must show no traces of meshing or abnormal wear. Check the condition of the roller bearing **2**. If worn, it must be replaced.

3.8.4 CHECKING THE CLUTCH DISCS

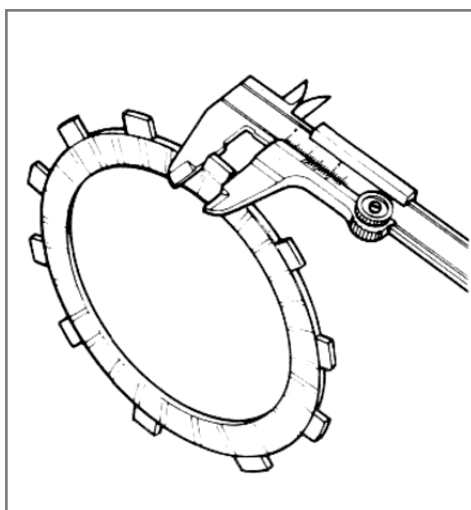
The clutch discs are divided into driving and driven: eight driving discs and seven driven discs.

The driving discs have cork inserts on both sides which wear out due to the driven discs sliding on them. One needs to check that the thickness of the clutch pack (driven and driving discs) is not lower than a minimum set value equal to:

minimum thickness of complete disc pack: 31.6mm

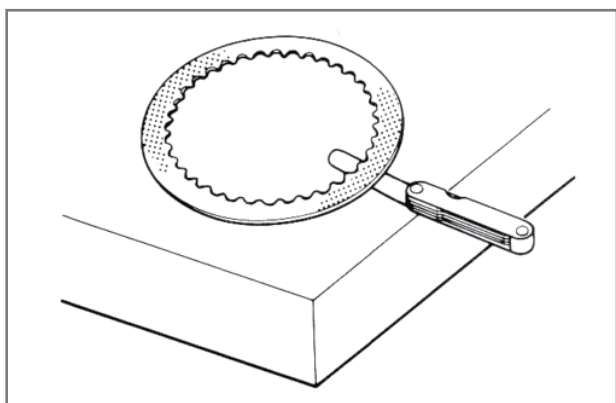


Clutch pack measurement



The other measurement that needs to be checked is the thickness of the teeth of each driving disc, which must not be less than the minimum set at:

minimum driving disc tooth thickness: 13.3mm



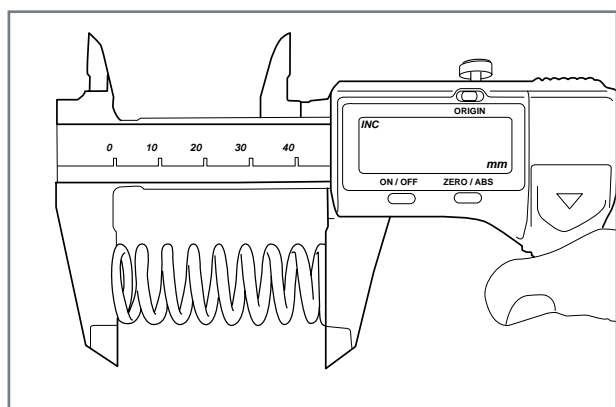
Also check the distortion of the driven discs. This operation is carried out by placing the driven discs on a perfectly flat surface and using a thickness gauge to check that any gap between the disc and the surface is not greater than:

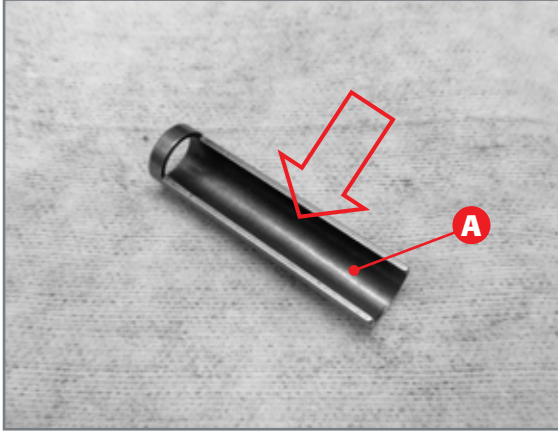
allowable distortion of driven discs: 0.10mm

3.8.5 CHECKING THE SPRINGS

To ensure the correct pressure between the clutch discs, the state of the springs must be checked. The minimum acceptable length must be:

minimum clutch spring length: 45mm

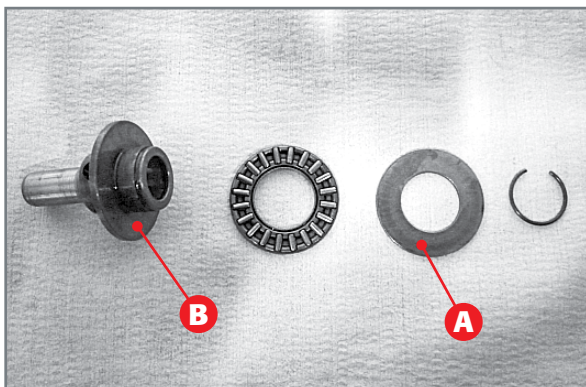




Guide pin



Bare clutch drum



Thrust bearing device.

3.8.6 CHECKING THE CLUTCH DRUM AND CAP

The clutch drum engages with the driven clutch discs by means of the sliding pins **A**: make sure that the area shown in the figure has no meshing or abnormal wear. If so, replace the sliding pins.

Check that the disc friction area is free from scratches, meshing or abnormal wear. If so, replace the clutch drum.

Also check that the radial holes on the clutch drum are not obstructed and are free from sediments.

3.8.7 CHECKING THE THRUST BEARING DEVICE

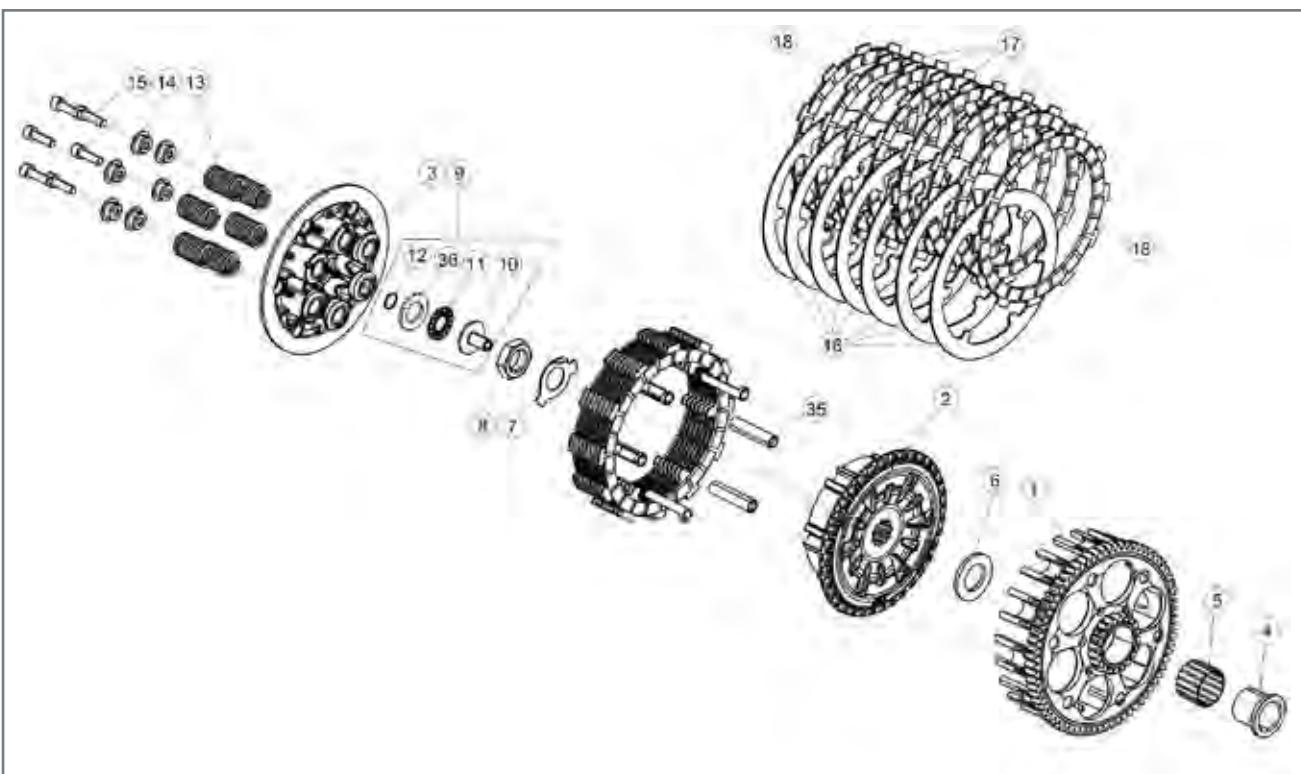
Check the state of use of the thrust bearing and the surfaces upon which it rests.

In order to check the thrust bearing, just ensure it slides – when the device is assembled, simulate rotation of the front centre bearing **A** with respect to the rear one **B**.

Carefully check for any traces of meshing or wear on the sliding surfaces. In the event of signs of deterioration, replace the entire unit.

3.8.8 CLUTCH UNIT ASSEMBLY

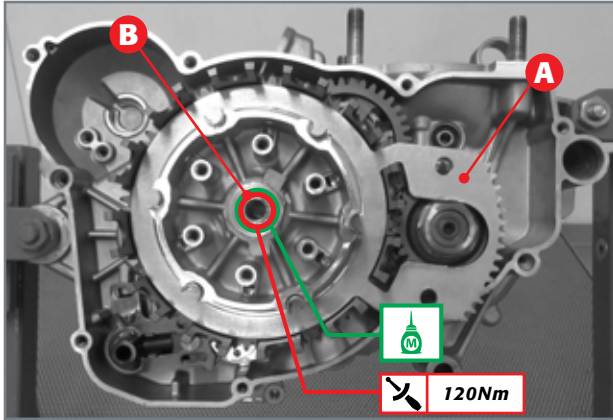
Lubricate the end of the primary gearbox shaft, the internal centre bearing **4** and the roller bearing **5**. Fit the roller bearing **5** and the centre bearing **4** on the clutch case **1**. Mount the unit on the primary shaft; in order to make insertion of the clutch case easier, slightly turn the kickstart idler gear (optional), the idler gear for oil pump control and the case, thus making meshing easier. Fit the washer **6**, which the clutch drum **2** rests against. Fit the sliding pins **35** on the drum. Apply the safety washer **7** and, after applying medium strength threadlocker, fit the lock nut **8**.



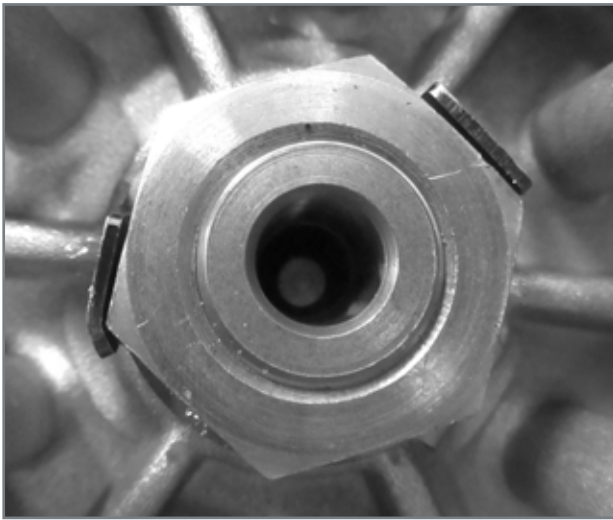
EXPLODED VIEW OF CLUTCH UNIT:

- 1) Complete case;
- 2) Clutch drum;
- 3) Clutch pressure cap;
- 4) Internal centre bearing;
- 5) 26x30x22 roller bearing;
- 6) Washer;
- 7) Safety washer;
- 8) M18x1.5 nut;
- 9) Thrust bearing assembly;
- 10) Clutch body rod coupling;
- 11) Thrust bearing;
- 12) RB14 circlip;
- 13) Clutch spring;
- 14) Clutch spring retainer;
- 15) Hex socket head tapered screw;
- 16) Driven discs;
- 17) Driving discs – GREEN edge;
- 18) Driving disc – BLUE edge;
- 35) Guide pin;
- 36) Thrust washer.





To tighten the nut **8** the clutch drum must be held blocked with tool **A** (code 029.14.002.50.00). Tighten to the specified torque.



Having tightened the nut, fold the two locking fins on the safety plate.

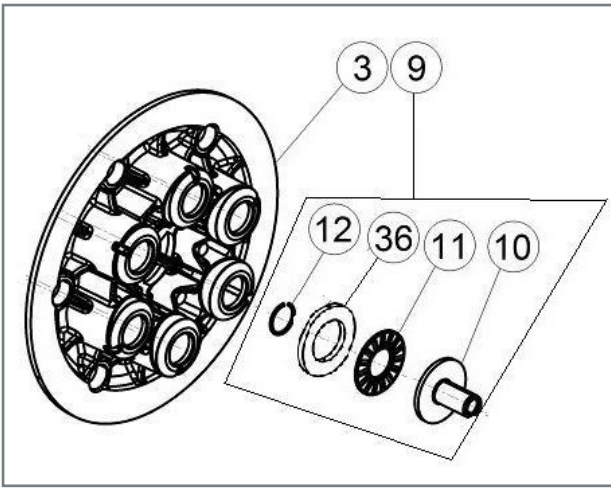
Safety washer folding



Lubricate the clutch discs with gear oil and apply the driving disc with BLUE edge and a driven disc. Then alternate the driving discs with GREEN edge and the driven discs. The other BLUE driving disc will close the disc pack.

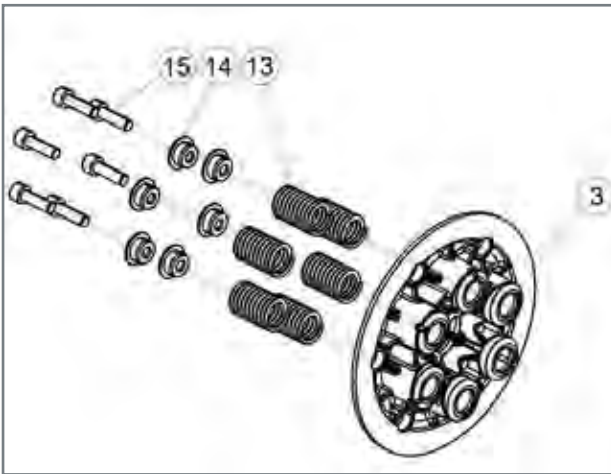
Disc arrangement

Please note that the driven discs must be inserted so that the connecting radius on the teeth faces inwards towards the engine.



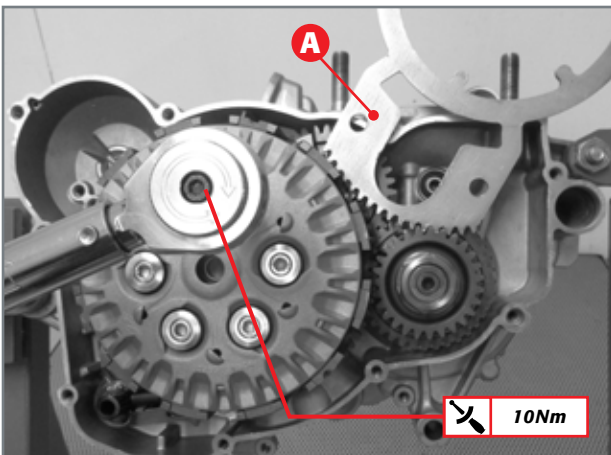
Thrust bearing assembly

Insert the thrust bearing assembly **9** (after lubricating it with gear oil) in the hole on the gearbox main shaft and check free axial sliding.

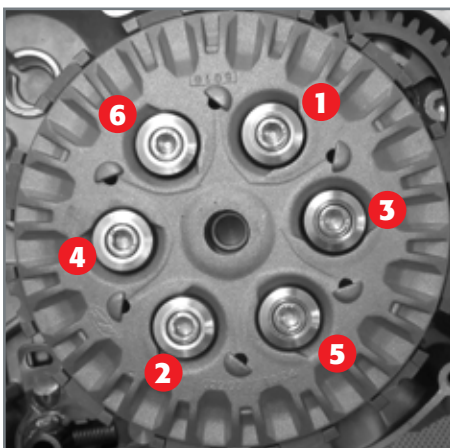


Clutch cap assembly

Close the clutch unit with the clutch cap **3**, the springs **13**, the four spring retainers **14** and the screws **15**.



Close the clutch unit with the clutch cap **3**, the springs **13**, the four spring retainers **14** and the screws **15**.



EXPLODED VIEW OF CENTRIFUGAL UNIT AND WATER PUMP UNIT

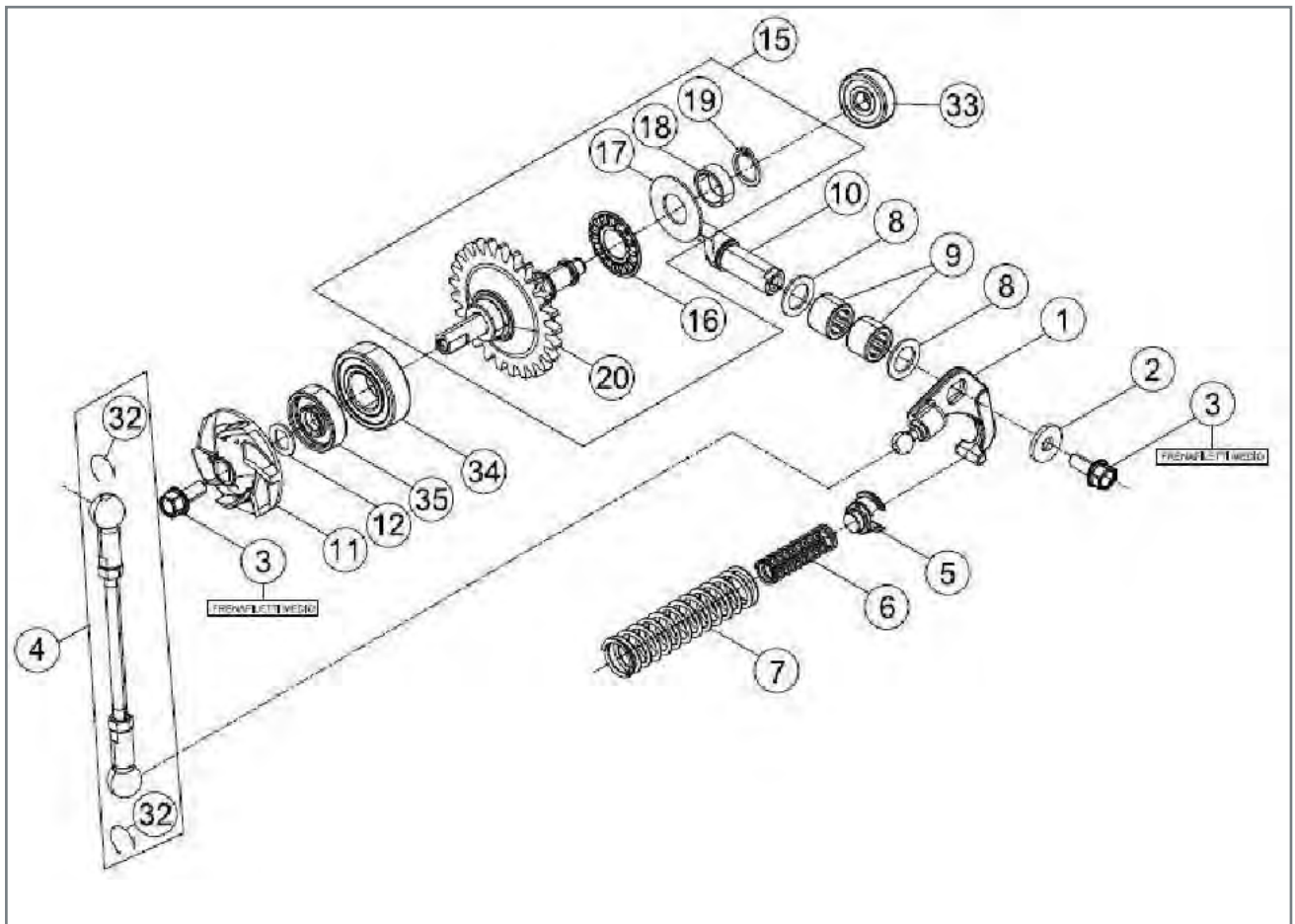
- 1) Rocker arm;
- 2) 5x15x2;
- 3) M5x12 screw;
- 4) Complete valve control rod;
- 5) Spring guide;
- 6) Auxiliary spring;
- 7) Adjustment spring;
- 8) 10x16x1 washer;
- 9) Roller bush;
- 10) Centrifugal control lever;
- 11) Water pump impeller;
- 12) Water pump washer;
- 15) Complete centrifugal unit;
- 16) Axial roller cage;
- 17) Centre bearing;
- 18) Spacer;
- 19) Circlip;
- 20) Complete centrifugal shaft;
- 32) Ball joint retainer ring;
- 33) 6x19x6 bearing;
- 34) 15x32x9 bearing;
- 35) Oil seal

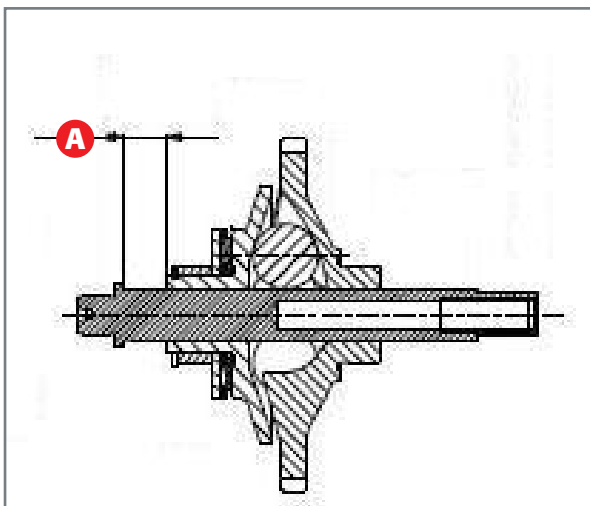
3.9 COOLANT LIQUID PUMP AND CENTRIFUGAL UNIT

The water pump must assure the correct flow rate of coolant, depending on the set rotation speed, in order to remove the required amount of heat from the power unit. The centrifugal unit activates the whole exhaust valve control linkage based on the engine rotation speed, while springs **6** and **7** provide the appropriate resistance to the centrifugal action generated by **20**, in order to assure optimal supply of torque and power.

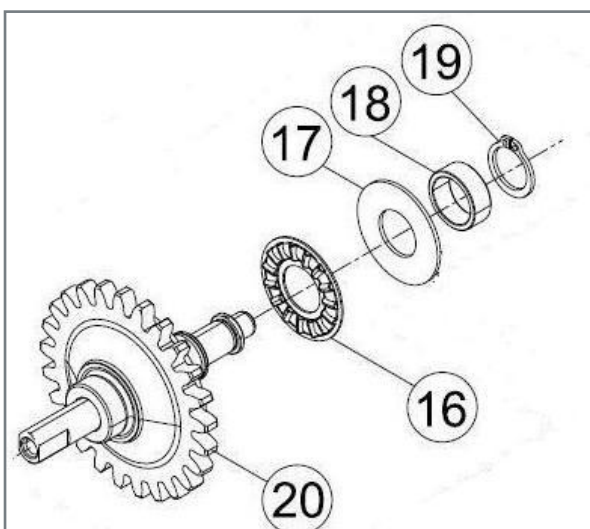
The impeller **11** is keyed onto shaft **20** and coupling is assured by tightening nut **3** on shaft **20**.

The centrifugal unit shaft **20** is supported by bearing **34** found on the internal clutch cover and by bearing **33** on the external side right crankcase half. Tightness is assured by oil seal **35**.

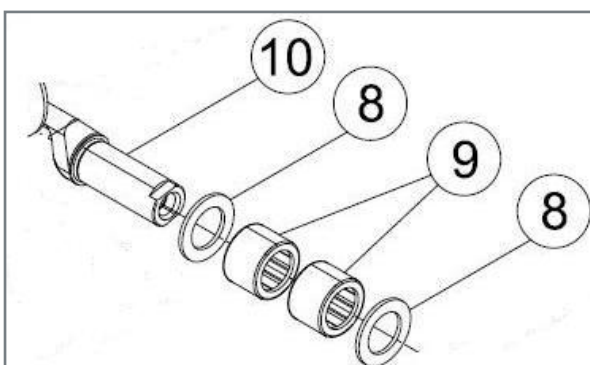




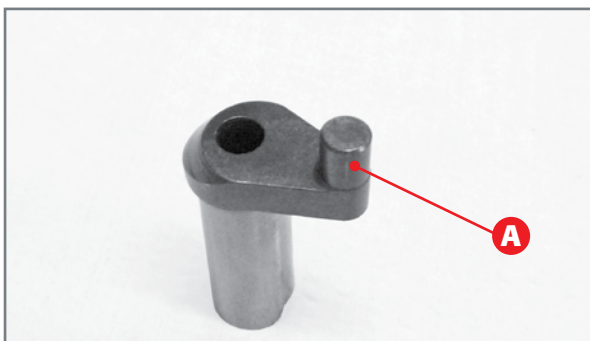
View in centrifugal unit section: stroke A.



Exploded view of centrifugal unit.



Exploded view of bearings and centrifugal control lever.



Check of centrifugal control lever area A.

3.9.1 CHECKING THE PUMP UNIT AND DISASSEMBLY, CENTRIFUGAL UNIT AND IDLER UNIT

Refer to par. 2.6.1 to disassemble the entire pump unit.

Check oil seal condition. Replace if worn.

Check centrifugal unit shaft condition. Replace the entire centrifugal unit if dented in the area in contact with the oil seal.

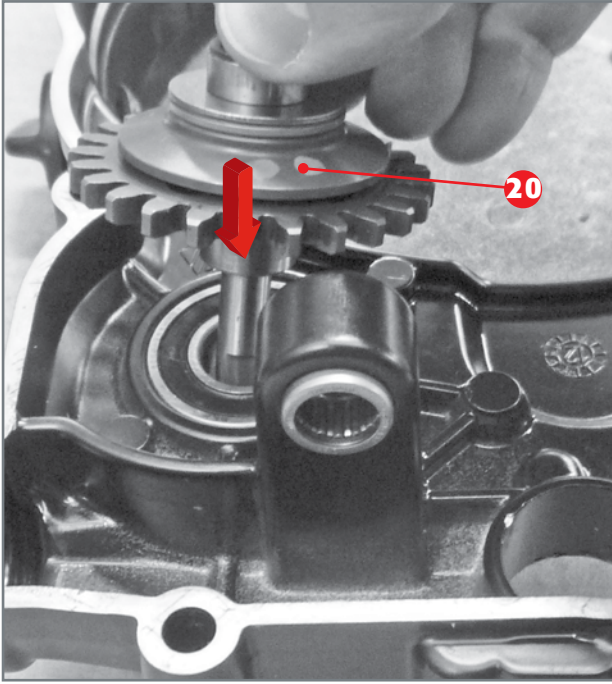
Check the device's axial stroke **A** and ensure it is between 6.4-6.6mm.

Otherwise replace the unit.

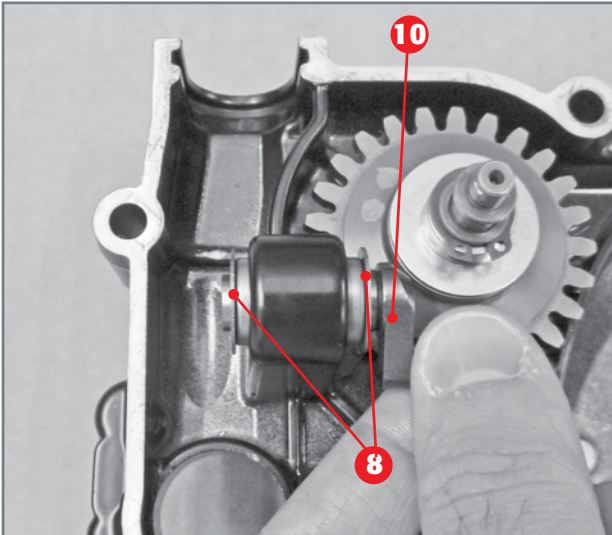
Remove circlip **19** and check use status of the roller axial cage **16**. Replace it in case of anomalies.

Check the roller bushes **9** do not jam during their operation and check the centrifugal control lever **10** moves correctly.

Also check area **A** of lever **10** is not worn.



Insertion of centrifugal unit.

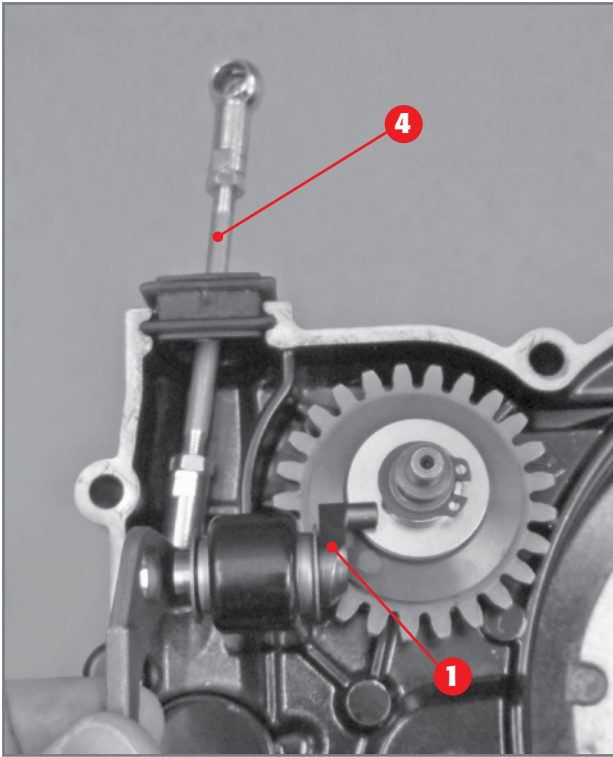


Insertion of centrifugal control lever.

3.9.2 CENTRIFUGE UNIT GROUP ASSEMBLY

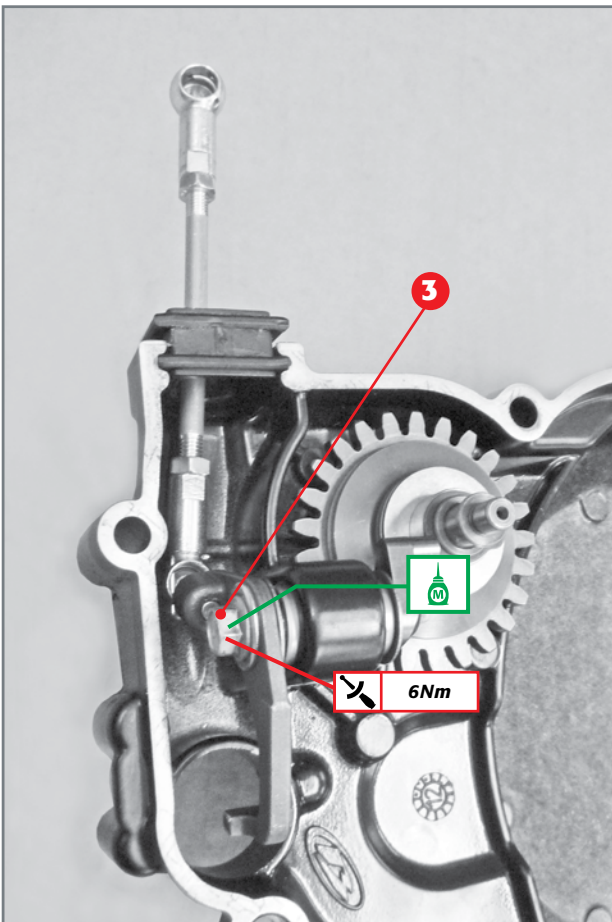
Insert the centrifugal unit **20** in inner clutch cover.

Insert the centrifugal control lever **10** together with the washers **8**.



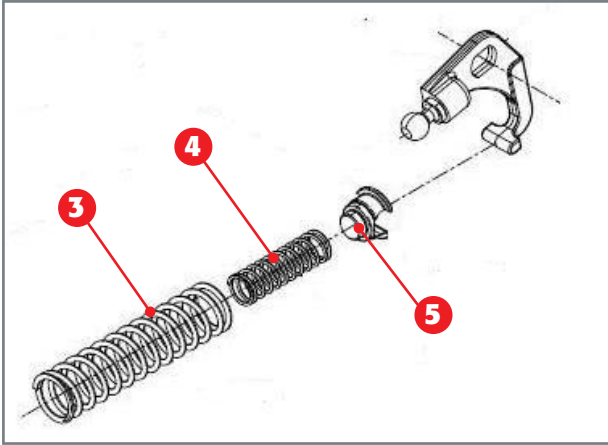
Application of valve control and rocker arm assembly.

Apply the valve control rod gasket and the rocker arm **1** - valve control rod **4** assembly.

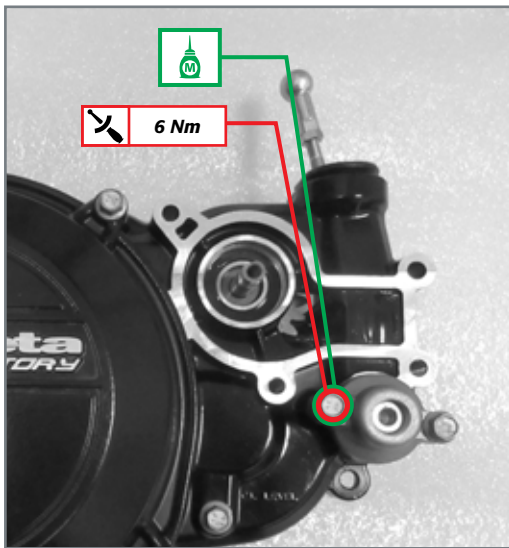


Centrifugal unit assembly.

Apply blocking screws **3** prior depositing of medium strength threadlocker. Tighten to the specified torque.



Spring guide and springs unit.



Fastening of adjustment cover.

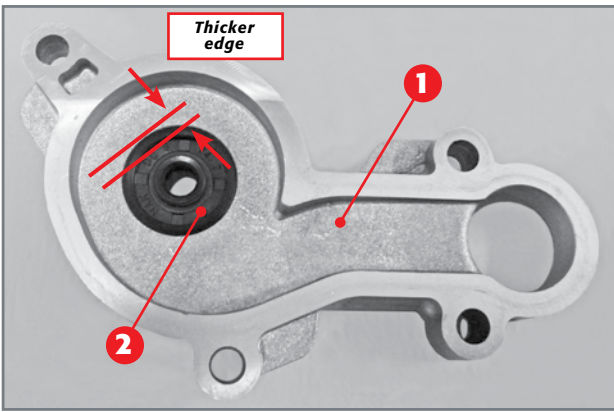
Apply the auxiliary 4 and adjustment 3 springs to the spring guide 5.

Apply the complete adjustment cover to the inner clutch cover. Apply the locking screws after applying medium strength threadlocker and tighten to the indicated torque.

The vehicles are fitted with the following auxiliary and adjustment springs.

Displacement [cm ³]	MY	Adjustment spring	Auxiliary spring
		Colour	Colour
250	2020	White	Blue
300	2020	Yellow	
		Green*	White*

* Optional



Application of the oil seal to the pump body.

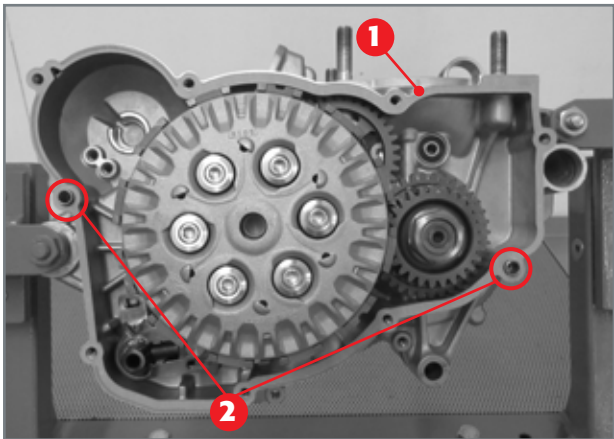
3.9.3 PUMP UNIT ASSEMBLY

Grease the oil seal housing on the pump body **1**. Position the oil seal **2** so that the thicker edge faces the outside of the pump body. Insert the oil seal, having it enter the seat very slowly to prevent it from deteriorating. The oil seal edge must be at the same height as the pump body (outer side).

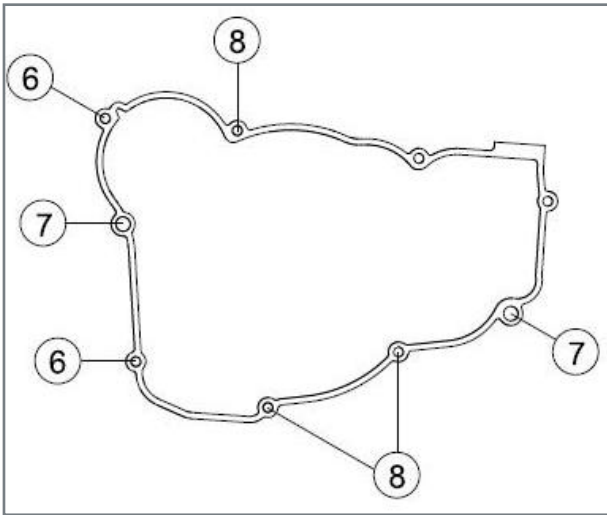
3.9.4 ASSEMBLY OF COMPLETE CLUTCH COVER AND PUMP UNIT

Apply a new gasket **1** placed between the right crankcase half and the inner clutch cover using the two reference pins **2** to keep it in place.

Couple the inner clutch cover to the right crankcase half and rotate the centrifugal shaft until the shaft meshes in the main gear.



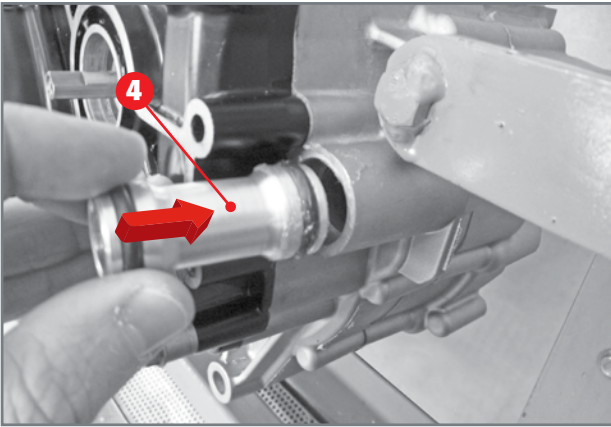
Positioning of gasket and reference pins.



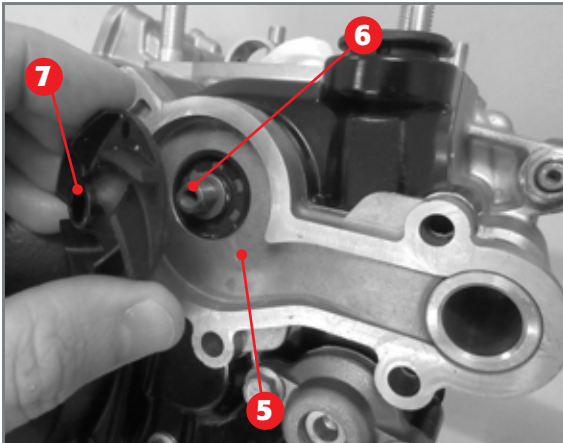
Screws positioning.

Apply the seven screws as pictured, tightening them at 10Nm with a criss-cross pattern.

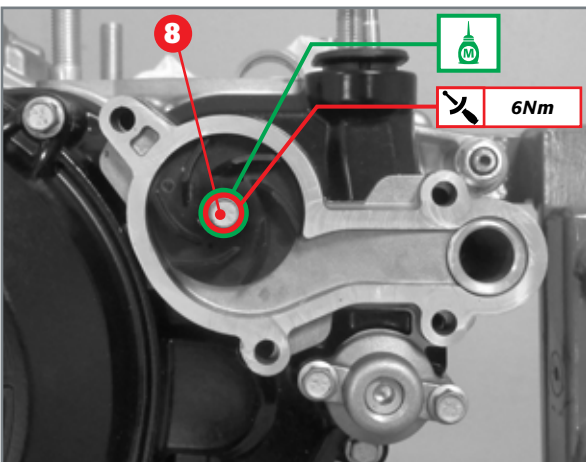
Number screw	Screw size		Threadlocker application	Tightening torque [Nm]
	Threading diameter	Threading length		
6	M6	20	NO	10
7	M6	30	NO	10
8	M6	50	NO	10



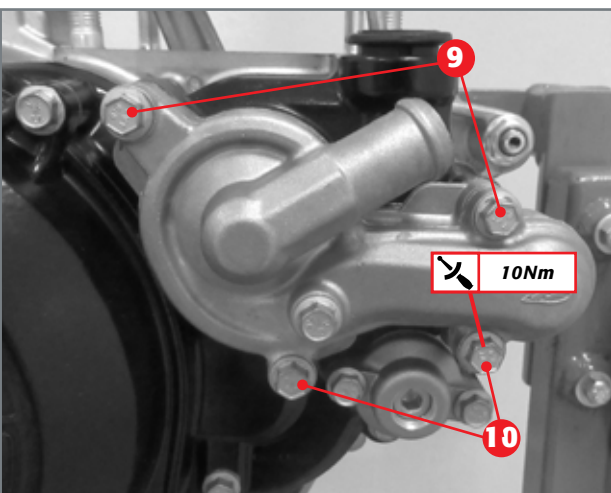
Insertion of water hose.



Application of water pump impeller.



Complete water pump.



Pump cover.

Grease the O-rings on the water hose and insert the hose **4** in the right crankcase half.

Apply the gasket between the pump body and clutch cover. Grease the inner diameter of the oil seal on the pump body **5** and apply the body to the clutch cover.

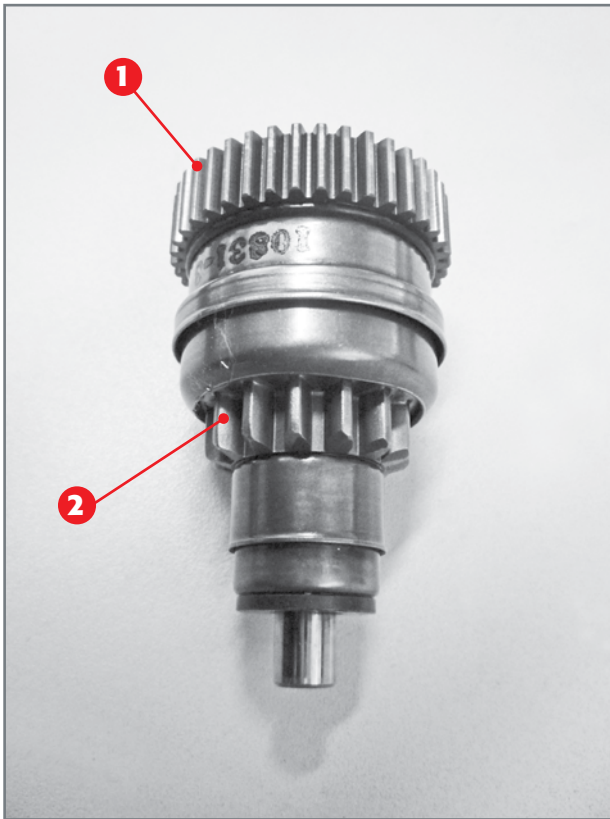
Apply washer **6** and water pump impeller **7**.

Apply the screw **8** after applying medium strength threadlocker and tighten at 6Nm.

Couple the water pump cover to the pump body by applying the two M6x60 screws **9** and the two M6x30 screws **10**. Tighten all screws at a torque of 10Nm following a criss-cross pattern.

Apply the oil drain plug and tighten to 15Nm.



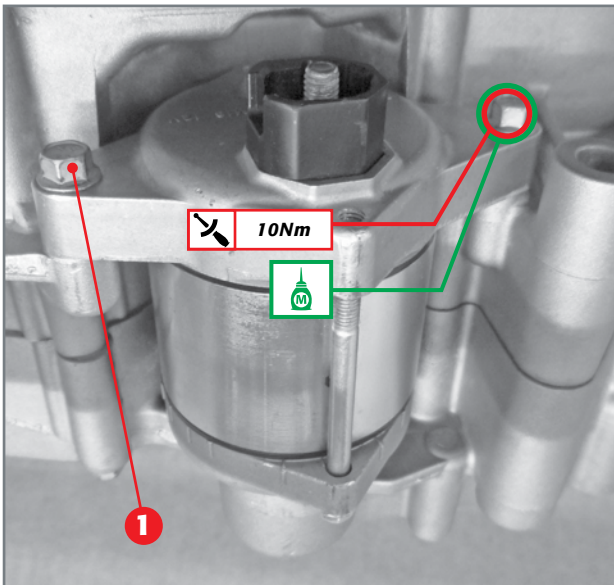


3.10 ELECTRIC IGNITION UNIT

Carry out the following checks before assembly.

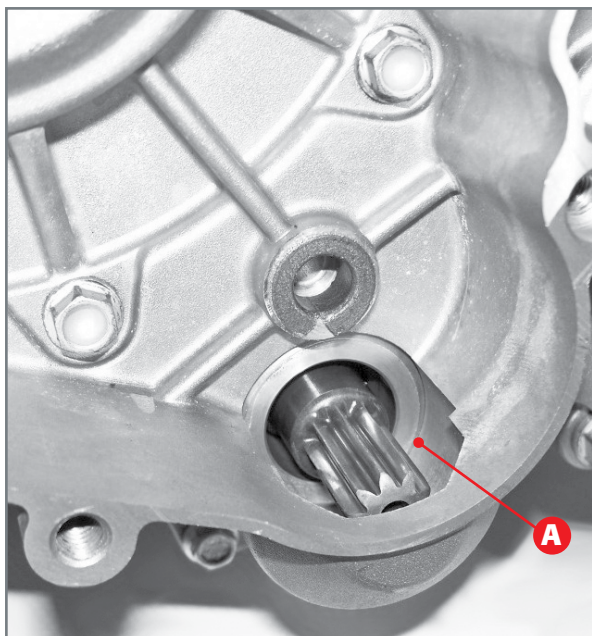
3.10.1 BENDIX COUPLING CHECKS

Check wear of the gearwheels found on the unit. Replace the whole coupling in case of abnormal wear and signs of chipping of the wheels. Keep the wheel 1 fixed and rotate the mobile coupling 2 anti-clockwise; this must slide without seizing. When releasing the mobile coupling, it must go back to rest position without seizing. Replace the whole unit if anomalies are detected during these two checks.



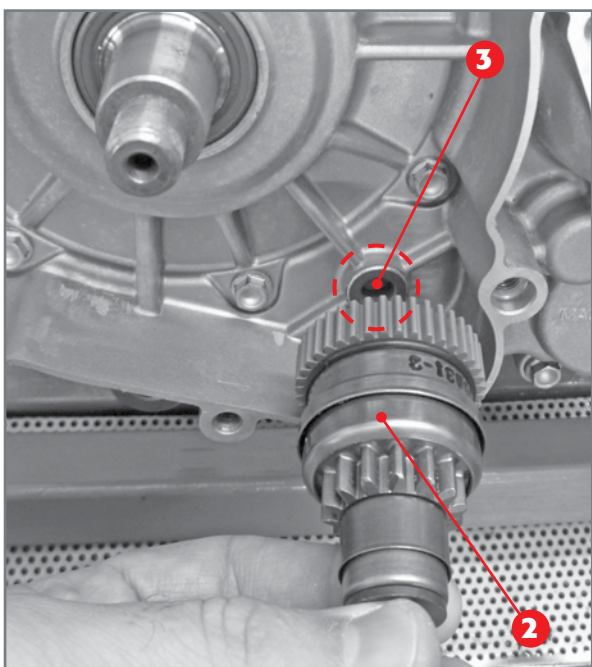
3.10.2 IGNITION UNIT COUPLING TO ENGINE

Apply a thin layer of grease on the O-ring located on the starter motor. Insert the starter motor in its seat and lock it with the two screws 1, after applying medium strength threadlocker. Tighten to the specified torque.



Application of oil.

Pour about 7cc of gear oil (for specifications refer to the recommended lubricants and liquids table) in area **A**.



Insertion of Bendix coupling.

Insert Bendix coupling **2** in bush with collar **3** present on the outer side left crankcase half.

3.11 IGNITION SYSTEM

Before reassembling the ignition system, it is recommended to make sure it is in good working order.

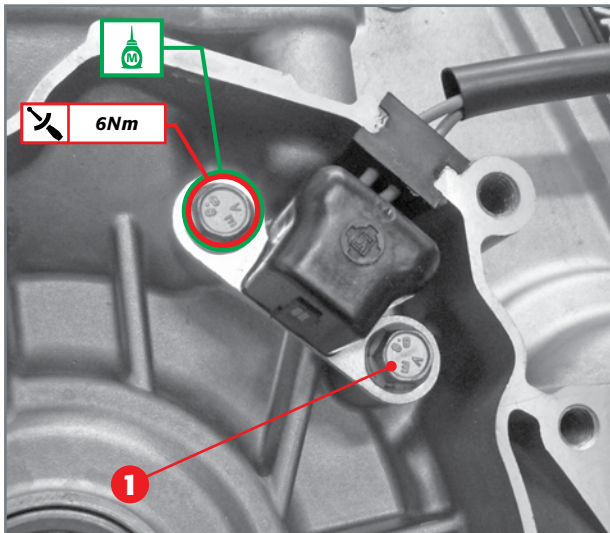
The ignition system consists of the magnetic pick-up unit, the stator unit and the flywheel. The system is completed by the ignition coil and the spark plug, which are not dealt with here.

3.11.1 IGNITION SYSTEM CHECK

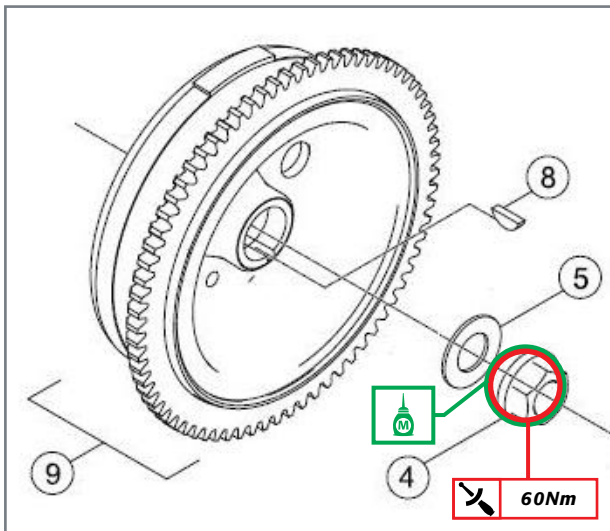
Accurately degrease the various elements and carry out the checks.

The main check is the one concerning the electrical inspection which can be done by using a standard tester. The measured resistance values must comply with those in the table.

Element	Cables	Resistance values
Pick up	Red – Green	$100\Omega \pm 20\%$
Stator	Red/Black – White/Red	$14.7\Omega \pm 15\%$
	Yellow – Mass	$0.61\Omega \pm 15\%$
	Yellow – White	$0.18\Omega \pm 15\%$



Coupling of pick up to crankcase.



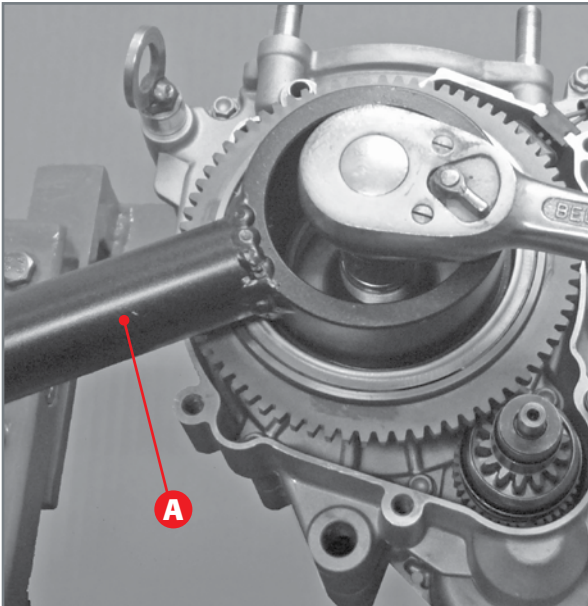
Exploded view of flywheel. 4) M12x nut; 5) Elastic washer; 8) Woodruff key; 9) Flywheel.

3.11.2 COUPLING OF IGNITION SYSTEM TO CRANKCASE

Apply the pick up to the crankcase and insert the gasket in the specific seat, after applying the insulating silicone paste.

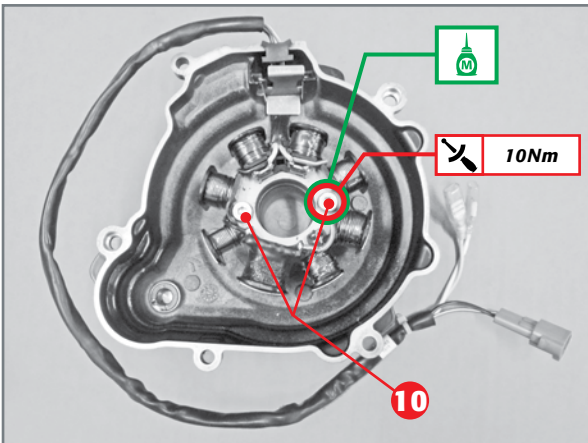
Cover the threading of the two screws 1 with medium strength threadlocker and tighten them at a torque of 6Nm.

Thoroughly degrease the crankshaft conical section, apply the Woodruff key 8 in the appropriate groove present on the crankshaft, couple the flywheel 9, the elastic washer 5 and the nut 4, after having spread the threading with medium strength threadlocker.



Flywheel fastening.

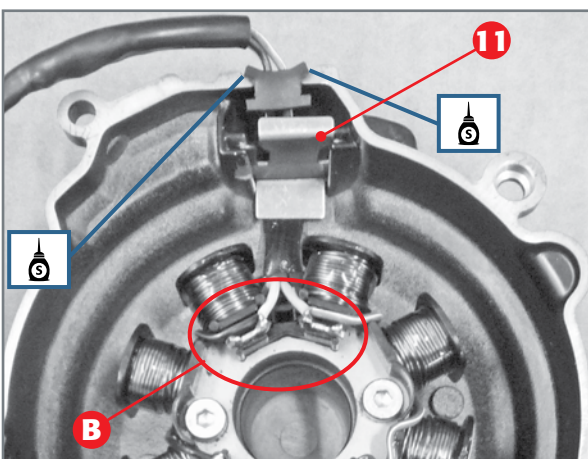
Tighten the nut to torque 60Nm, keeping the flywheel blocked with the special tool **A** (code 026140040 000).



Stator coupling to the flywheel cover.

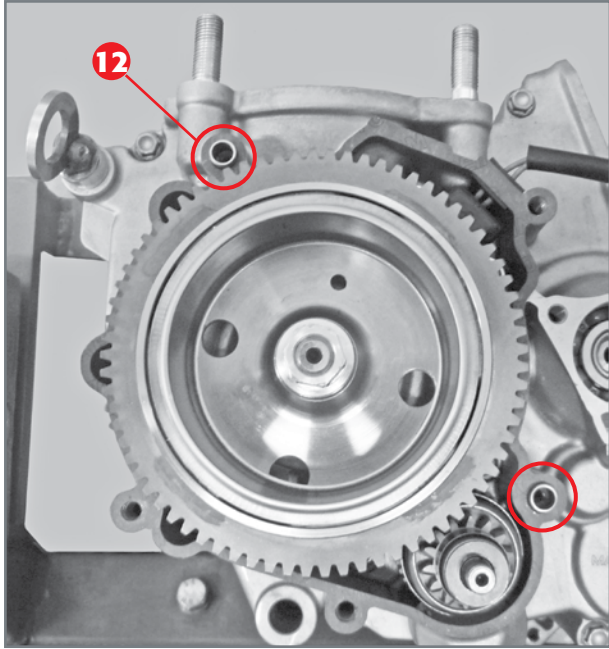
Couple the stator to the flywheel cover by means of the two screws **10**. Cover the threading with medium strength threadlocker and tighten them at a torque of 10Nm.

Insert the cable gland in its specific seat and check its perfect sealing.

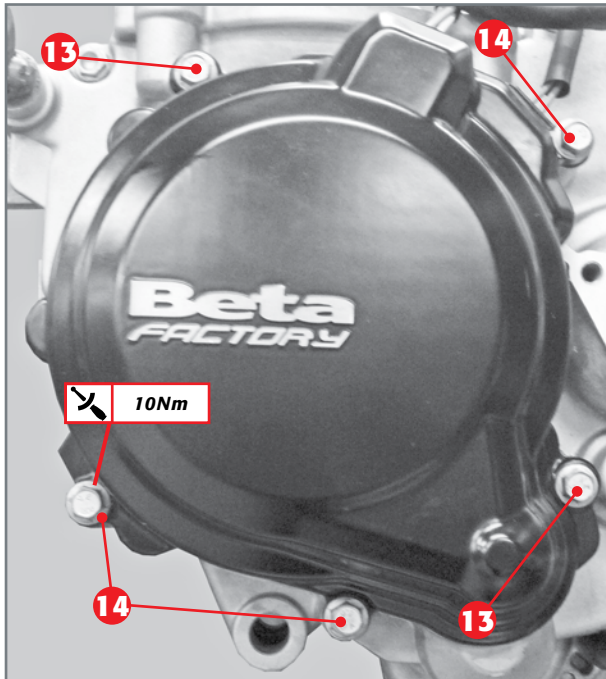


Application of stator plate.

Apply a few drops of silicone in the guides for housing the plate **1**. Apply the plate **11** to be inserted in its guides and pressed. When coupling it to the left crankcase half, apply a drop of gasket paste (code 3625000000) in area **B**.



Application of flywheel cover centring pins.



Flywheel cover coupled to crankcase.

Insert the centring pins **12** on the crankcase and fit a new gasket.

Apply the flywheel cover, the two M6x25 screws **13** and the three M6x20 screws **14**. Tighten in a criss-cross pattern at a torque of 10Nm.

Note: When performing a complete overhaul of the engine or intervening on the thermal unit, do not apply the cover as it has to be removed to find the Top Dead Centre.



Position to measure the outside diameter of the piston.

3.12 THERMAL UNIT

Before assembling the thermal unit, thorough checks must be carried out on the cylinder, piston, pin bolt, elastic bands described hereafter.

3.12.1 CHECKING THE PISTON AND ELASTIC BANDS

Remove carbon sediment from the top of the piston and wash the entire piston with specific degreasing agent.

Do not use sharp points or tools for cleaning.

Then carry out a careful analysis of the piston which must be free from forcing, scratches, cracks or any type of damage.

Analyse the external diameter of the piston.

The diameter must be measured at a distance X from the inner edge of the skirt, perpendicularly to the axis of the pin bolt.

Refer to the following table for the piston's selection classes.

Displacement [cm ³]	Measurement X [mm]	Bore [mm]		
		A	B	C
250	18	66.345÷66.354	66.355÷66.364	66.365÷66.375
300	18	71.945÷71.954	71.955÷71.964	71.965÷71.975



First check of elastic bands.

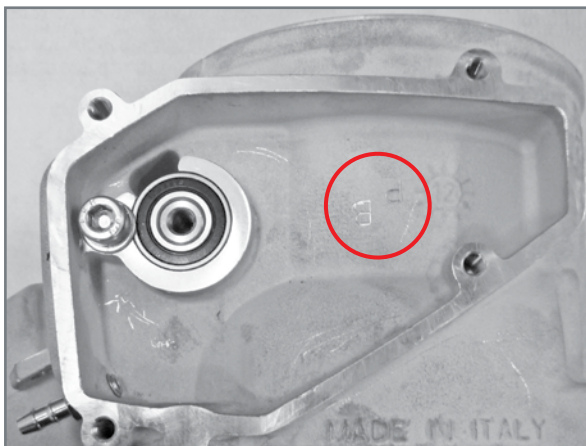
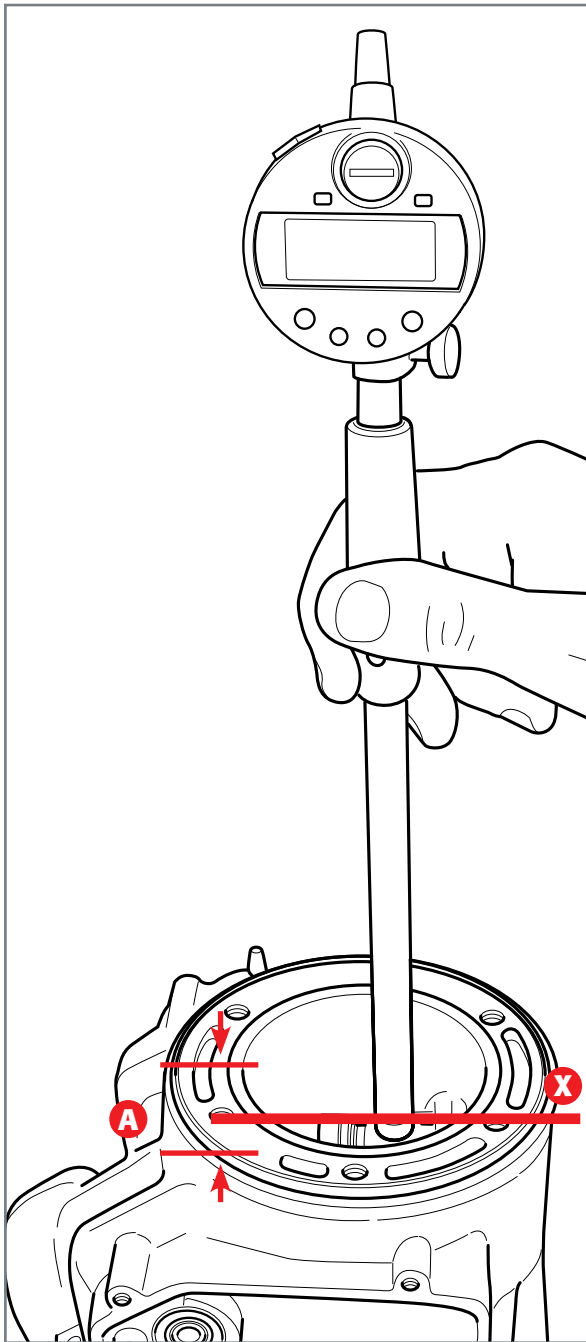
In order to check the condition of the elastic bands, the band must be inserted in the cylinder so that its axis is aligned with the axis of the cylinder. Then measure the distance between the two opposite ends.

The elastic bands must be positioned at about 31 mm from the cylinder's upper edge.

The respective service limits are set out in the table below.

Displacement [cm ³]	Service limit of elastic band [mm]
250 - 300	0.4





Cylinder class punching.

3.12.2 CYLINDER CHECK

Check the cylinder is without signs of seizure. Otherwise replace it.

Measure the bore at a distance **A** from the top face of the cylinder (surface between cylinder and head). Take the correct measurement by following direction **X**.

<i>Displacement [cm³]</i>	<i>Measurement A [mm]</i>
250	31.3
300	31.5

Bore measurement is required to know the coupling play between cylinder and piston.

The cylinder's specific class is punched inside the expansion chamber.

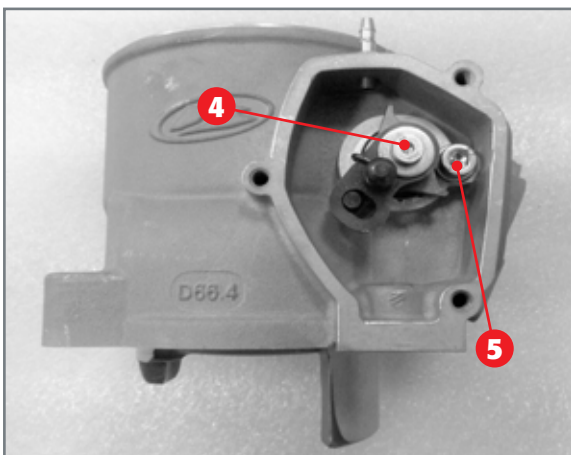
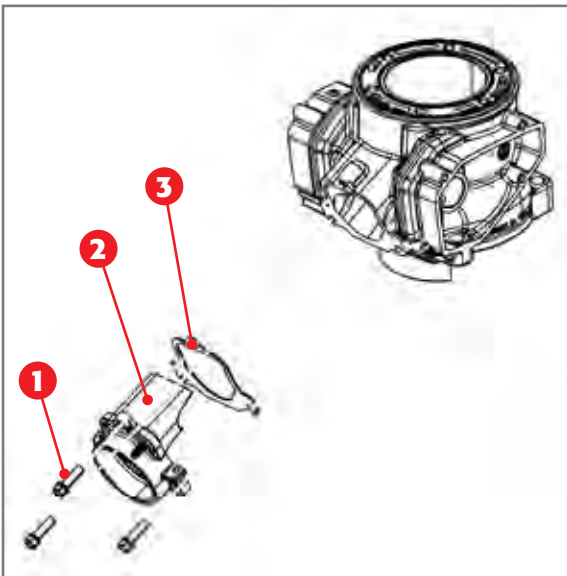
3.12.3 PISTON CYLINDER COUPLING PLAY

The following table sets out the coupling play between cylinder and piston. In order to calculate the coupling play between cylinder and piston, a subtraction must be carried out between the diameter of the cylinder and that of the piston.

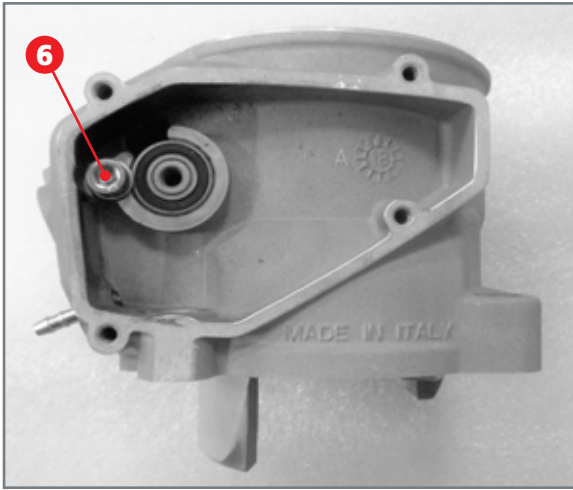
<i>Displacement [cm³]</i>	<i>Maximum cylinder/piston play [mm]</i>	<i>Minimum cylinder/piston play [mm]</i>
250 - 300	0.1	0.035

3.12.4 CHECKS AND EXHAUST VALVE UNIT DISASSEMBLY

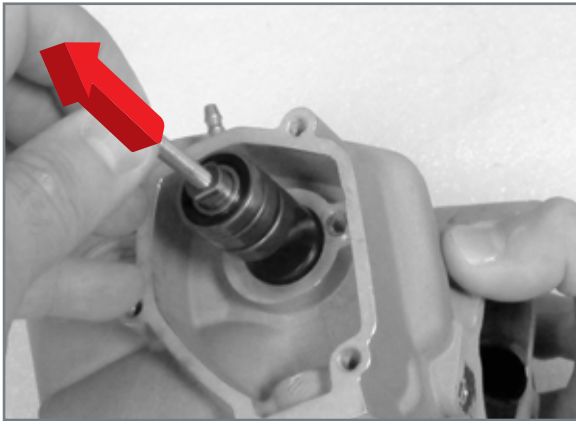
Remove the screws **1** to allow the disassembly of the exhaust flange **2** and its gasket **3**.



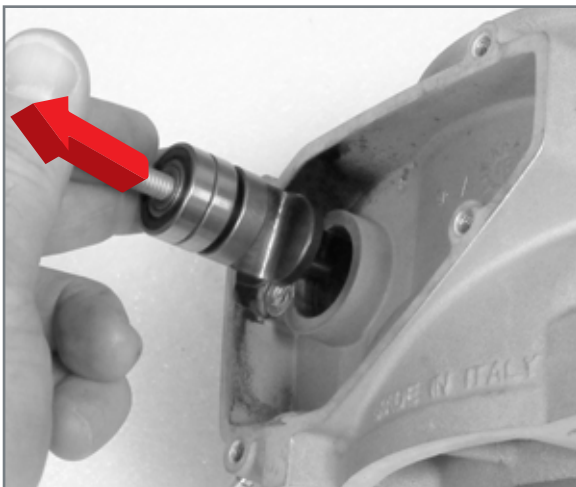
Remove screw **4** fastening the valve control unit to the booster; then remove screw **5** fixing the bearings.



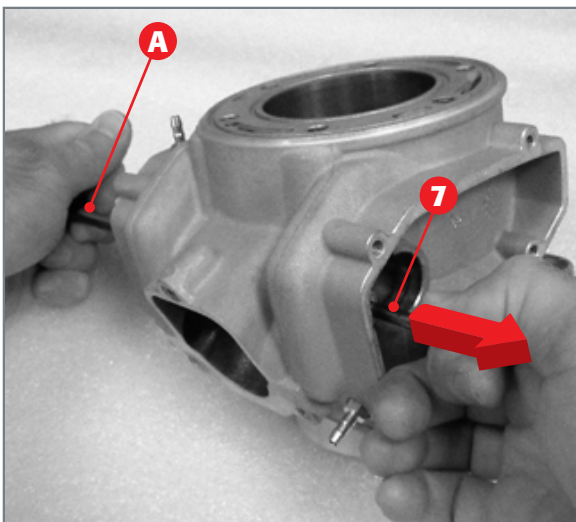
Remove screw **6** that keeps the left side bearings and the booster in their housing.



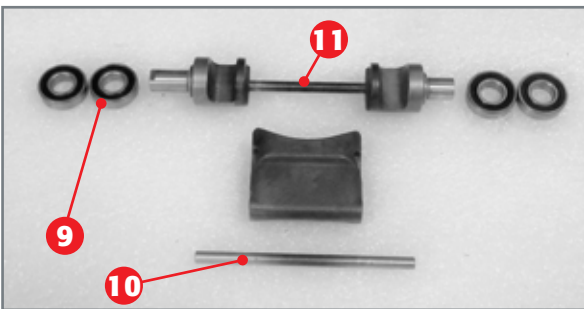
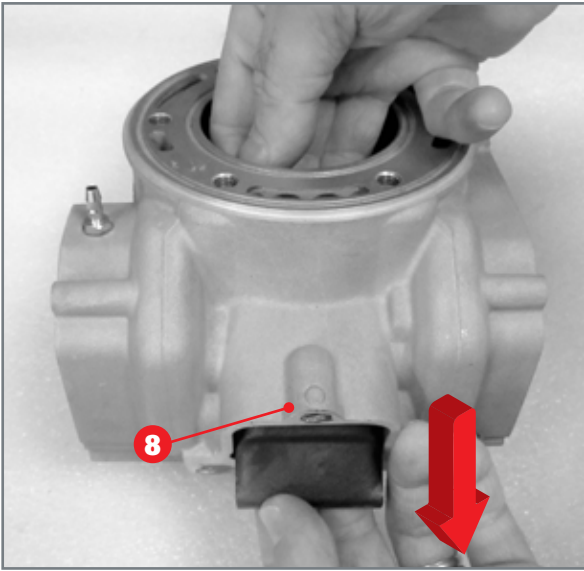
Apply one M5 screw on control unit side and pull outwards.



Repeat the operation on the opposite side using one M6 screw.



After extracting the boosters and relevant pin, extract the valve pin **7** by pushing it with a metal cylinder **A** and then extract valve **8**.

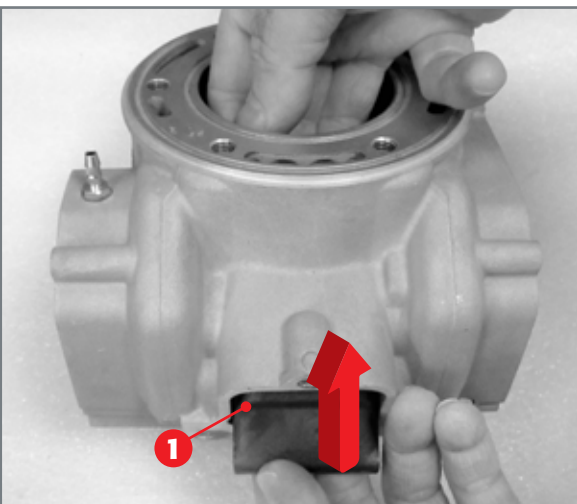


Check the bearings **9** supporting the booster are efficient, without seizing during operation or excessive play, once the assembly has been cleaned and descaled. Otherwise replace. Check pins **10**, **11** and their seats are not abnormally worn. Otherwise replace the worn parts.

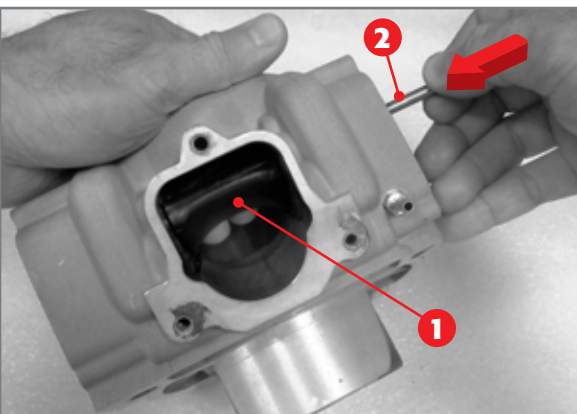
Descal all passages involving the exhaust. Strictly avoid the use of abrasives.

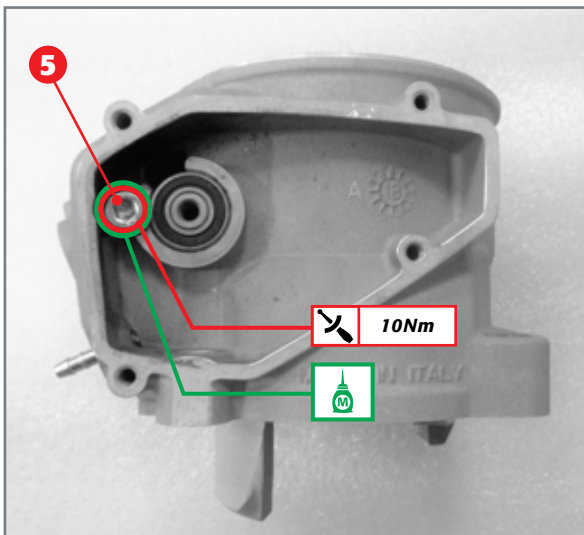
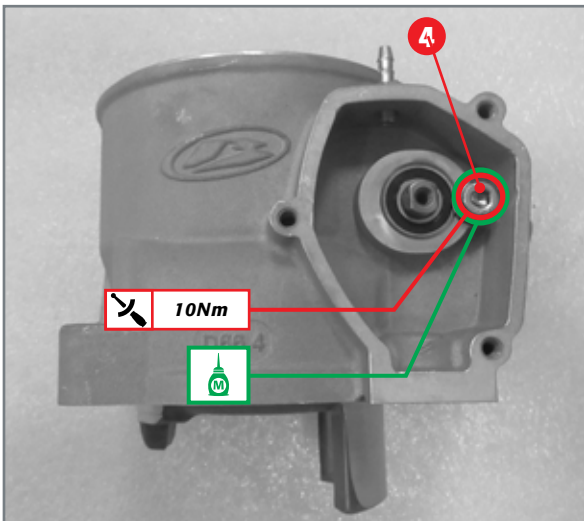
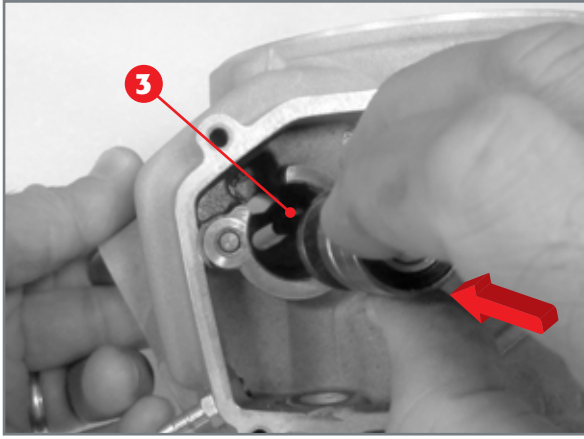
3.12.5 EXHAUST VALVE UNIT ASSEMBLY

Insert the valve **1** in its seat with the back facing upwards.



Insert pin **2** while holding valve **1** in position.

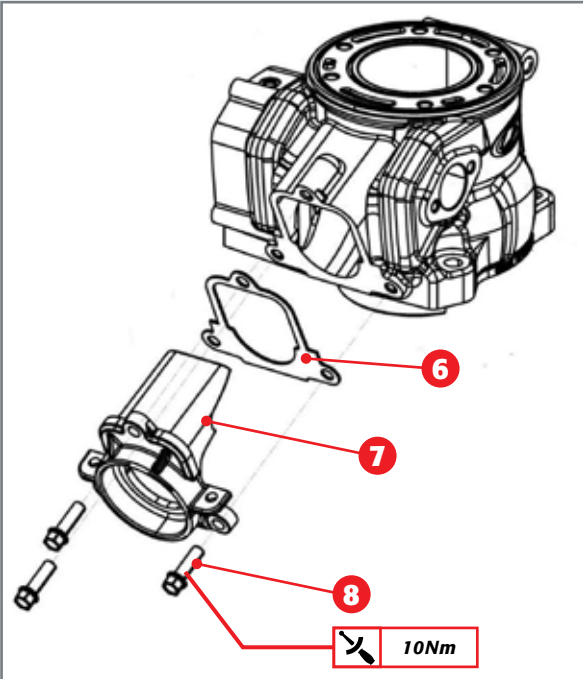
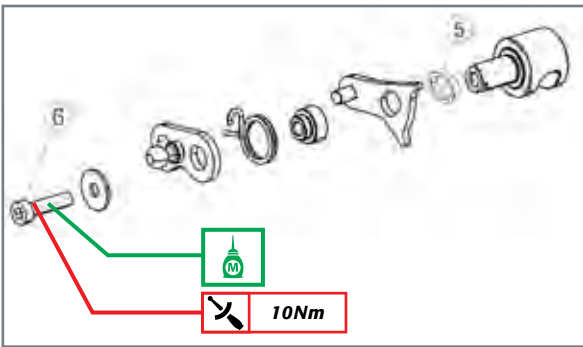




Apply the left side booster unit complete with pin and bearings in its seat: pin **3** must be inserted in the specific slot in the valve.

Apply the right side booster unit in its seat.

Apply screws **4** and **5** complete with washer after applying medium-resistance threadlocker and tighten at the specified torque.



Apply spacer **5** to the control side.

Then apply all other parts.

Screw **6** must be covered with medium strength threadlocker and fastened to the indicated torque.

Try moving the assembly and check the entire mechanism slides perfectly, once assembly is completed.

3.12.6 PISTON, PIN BOLT, ELASTIC BANDS AND CYLINDER ASSEMBLY

Insert a circlip for retaining the pin bolt in one of the seats on the piston's side, placing the circlip's open part either upwards or downwards.

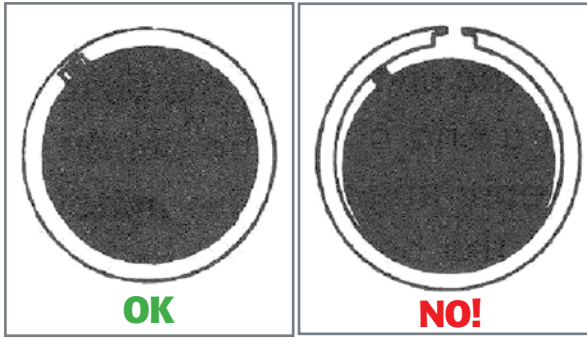
Apply the roller cage in the connecting rod's foot, and lubricate it.

Oil pin bolt and seat in piston. Insert the pin bolt in the piston from the side opposite where the circlip was inserted, leaving enough space to allow the connecting rod to mate with the piston. Place the piston so that the arrow stamped on the crown is facing the front of the engine (exhaust opening). Couple the piston to the connecting rod by fully pushing the pin bolt until flush with the previously inserted circlip. It may be helpful to use an aluminium cylinder (or similar tool) during this phase.

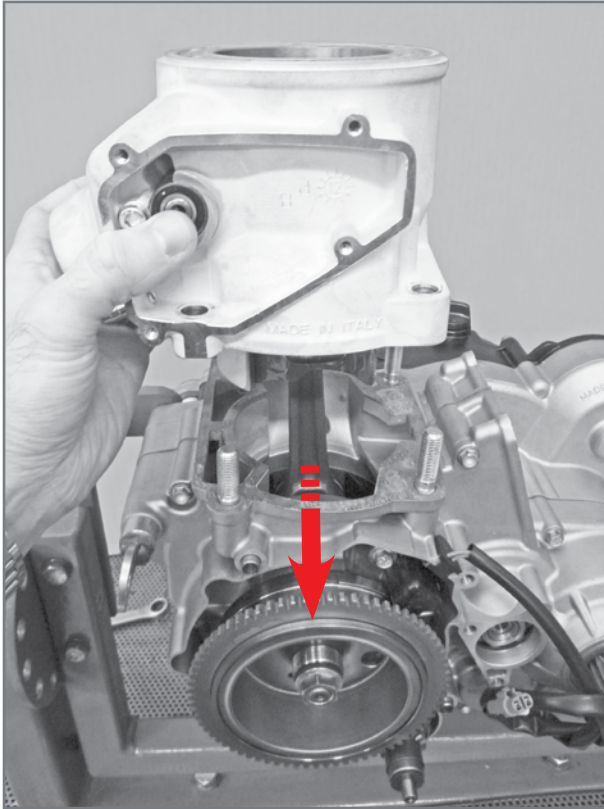
WARNING!

Place a clean cloth between the piston and the crankcase to keep foreign objects from falling inside the base.

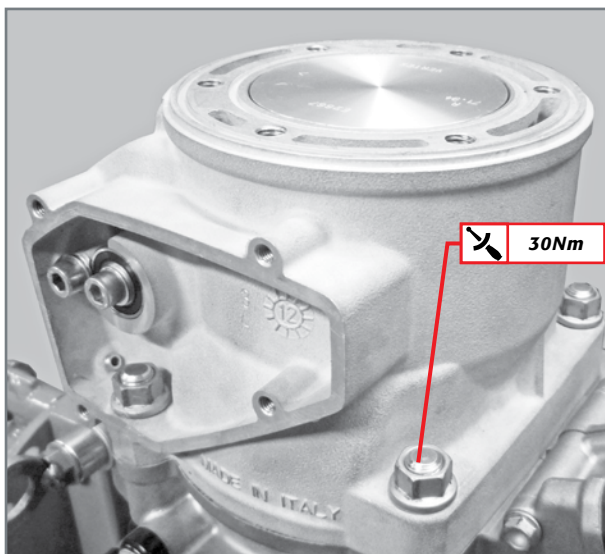




Positioning of elastic bands on the piston.



Coupling of cylinder to piston and crankcase.



Tightening of cylinder nuts.

Insert the second circlip in the specific seat of the piston, placing the open part either upwards or downwards. Remove the previously inserted cloth.

Abundantly oil the skirt of the piston with engine oil and insert the elastic bands, which edges must face the area with the stop pin.

Apply the gasket between crankcase and cylinder.

Note: keep the silicone edge facing down.

Accurately oil the entire cylinder using engine oil and insert the piston in the cylinder. The piston must be inserted in the cylinder while holding the elastic bands with one's fingers tightly. The cylinder must be positioned so that the exhaust gap is facing the front of the engine.

Push the cylinder towards the crankcase.

Apply the four collar nuts and tighten them at 30Nm, following a criss-cross pattern.

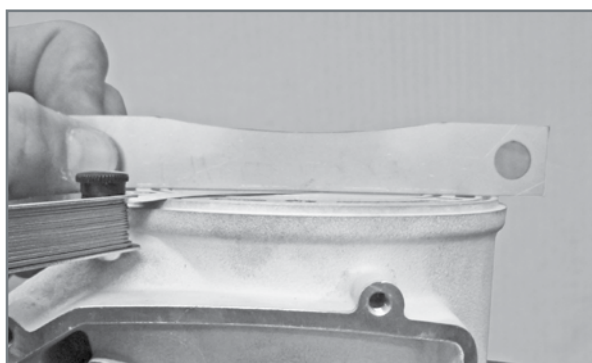
3.12.7 CHECK OF CRANKCASE/ CYLINDER GASKET THICK- NESS

The thickness of the gasket between the cylinder and crankcase must be checked every time the following are replaced:

- Cylinder;
- Piston;
- Crankshaft;
- Connecting rod;
- Crankcase.

The check is necessary as said thickness affects engine performance. The check must be carried out using the specific calibrated plates set out in the table.

<i>Displacement [cm³]</i>	<i>Model Year</i>	<i>Code</i>	<i>Side</i>
250	2018 - 2019	026.14.010.00.00	B
300			A



Case where the plate and piston do not touch: check distance between plate and piston.

The use of the plates is described below.

- Place the specific plate making sure it comes into contact with the cylinder's upper surface.
- Move the piston to top dead centre and, using a thickness gauge, check the play between piston and plate is between $0 \div 0.05$ mm.

If the play between piston and plate is higher than required, reduce the cylinder/crankcase gasket thickness and carry out the check again.

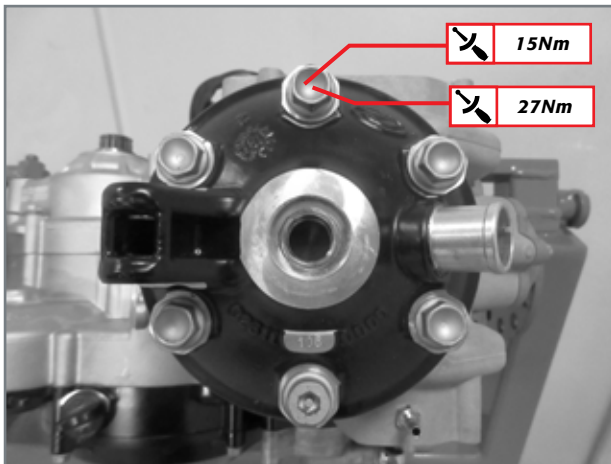


Case where the piston pushes the plate causing cylinder/plate contact to be lost

Measure the play with a gauge if the piston pushes the plate upwards, causing contact to be lost between plate and cylinder: if the play is greater than 0.05 mm, the thickness of the cylinder/casing gasket must be increased and the check must be done again.

The gaskets are supplied in four different thicknesses. that can also be stacked, thus obtaining the necessary height for the right thickness.

Note: the above-described check must be carried out once all four crankcase cylinder coupling nuts have been fastened at the set torque (30Nm).



Tightening of head.

3.12.8 HEAD APPLICATION

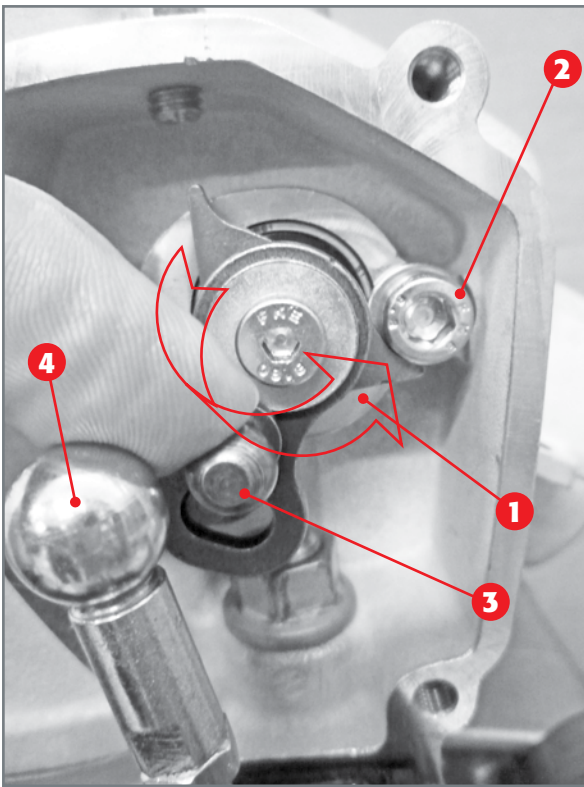
Apply the two O-rings to the cylinder. Place the head so that the water hose is facing the front of the engine. Grease the screws and apply them to the head, together with the copper washers. Following a cross pattern, tighten in two steps:

1. 15Nm;
2. 27Nm

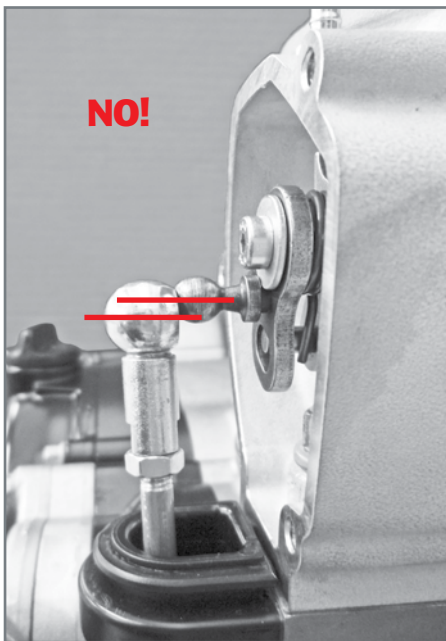
3.12.9 EXHAUST VALVE ADJUSTMENT

Bring the valve control unit 1 in the fully closed position, so the stroke end lever is flush with screw 2 fixing the booster bearings.

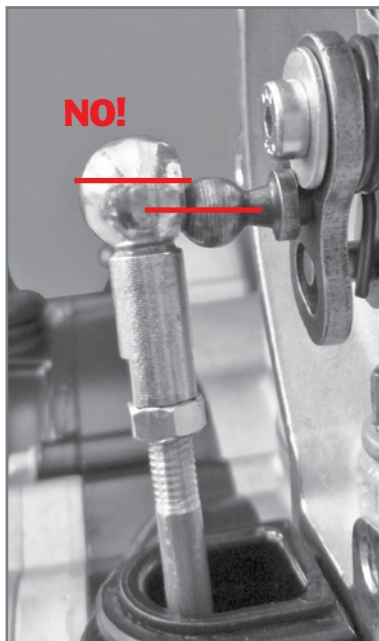
Check that the ball head 3 and the seat 4 are perfectly aligned. Otherwise loosen the lock nut, adjust the seat and tighten the lock nut.



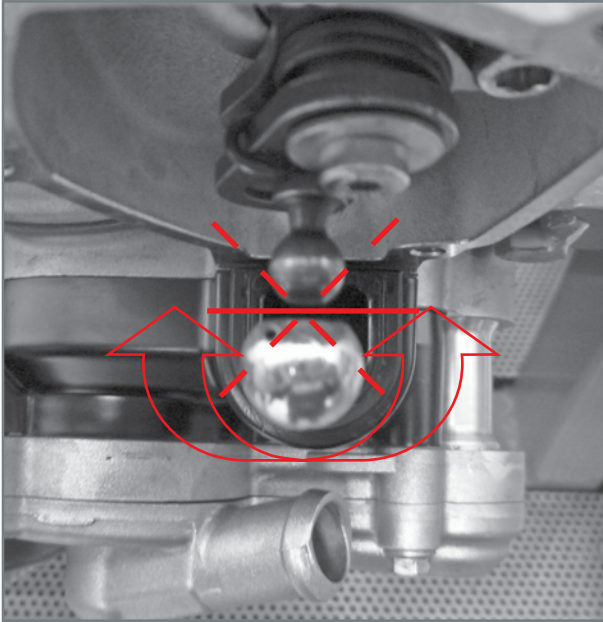
Positioning of valve control.



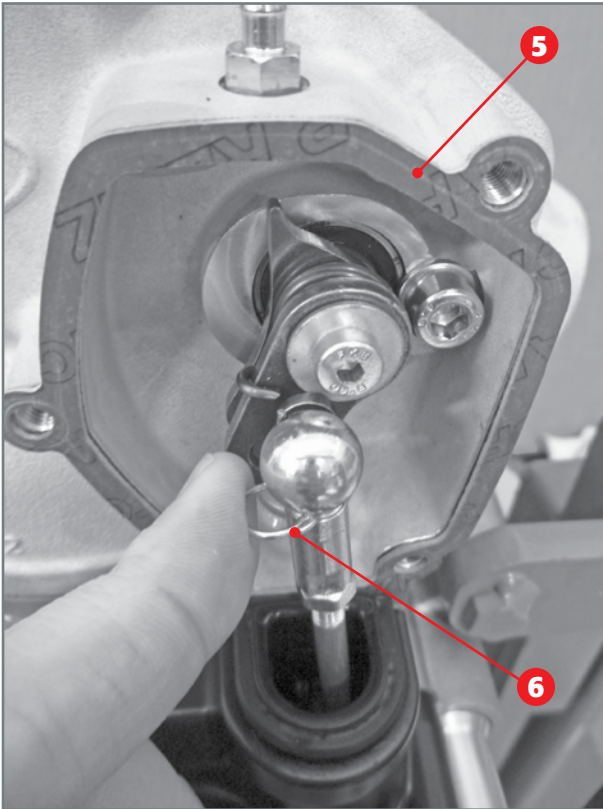
Incorrect positions of the control rod seat.



Correct position of the control rod seat.



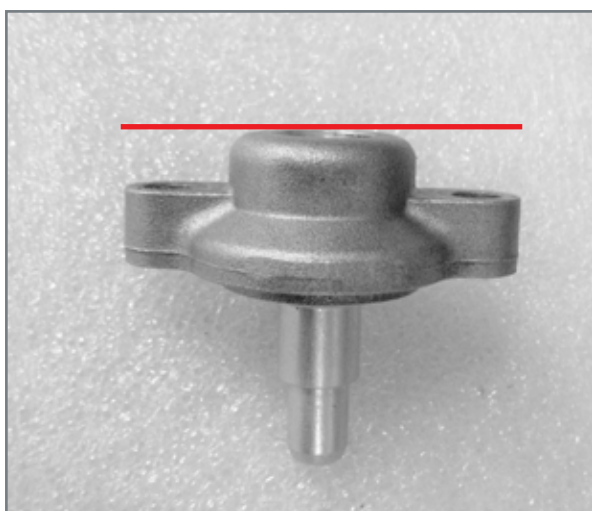
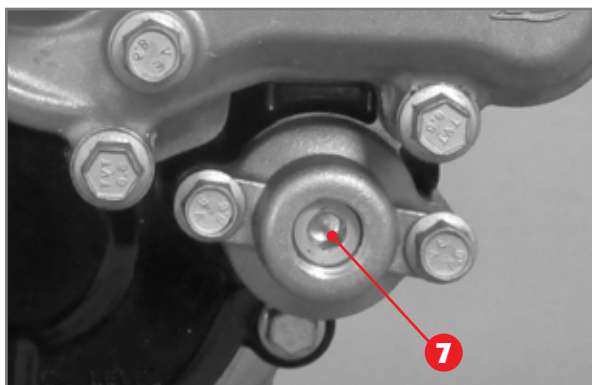
Check of control rod rotation.



Insertion of control rod and application of stop.

Ensure the control rod is able to rotate around its axis, making equal angles with respect to the ball head axis.

Apply gasket **5** and insert the control rod.
Apply the stop **6**.



Fully open reference.

Intervene on screw **7** for the dynamic adjustment of the exhaust valve unit, thus modifying the characteristic curve of the engine.

The positions indicated in the table below are those considered optimal for engine operation.

<i>Model Year</i>	<i>Displacement [cm³]</i>	<i>Regulation of adjustment screw (from all open)</i>
2020	250	1 + 1/2
	300	1

The "fully open" position is for perfect alignment between adjustment screw head and adjustment cover.

Adjustment must, therefore, be carried out as follows.

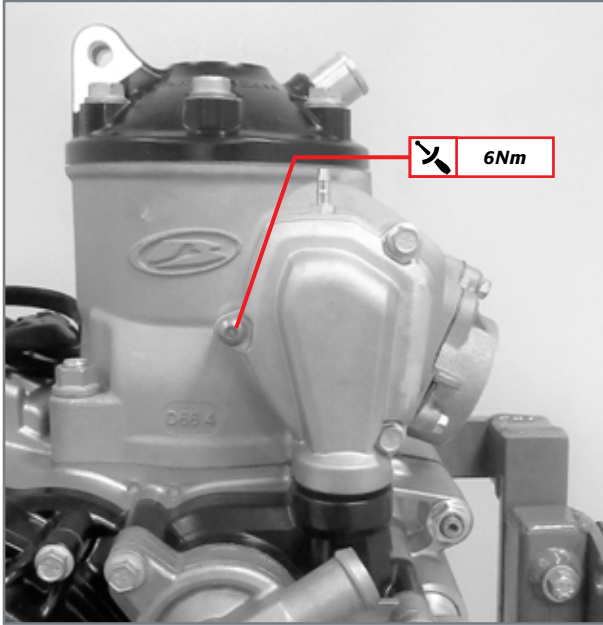
- Bring the screw to the "fully open" position;
- Tighten the number of turns indicated in the table.

The table shows the effects obtained from modifying the position of the adjustment screw with respect to the positions in the above table.

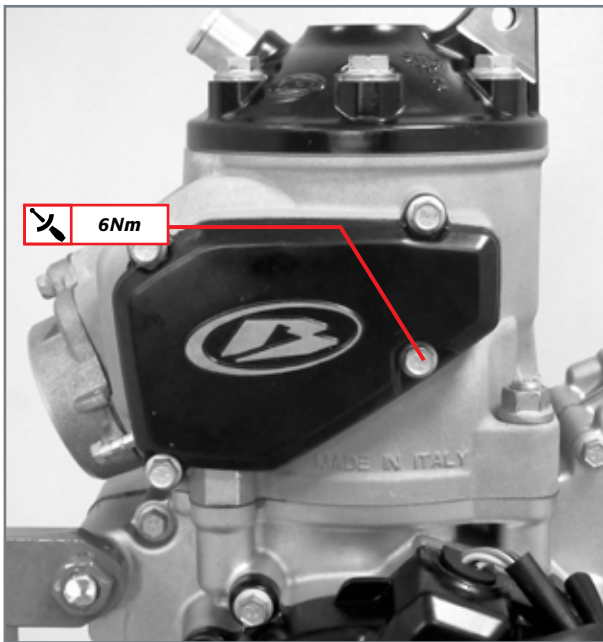
<i>Clockwise rotation of adjustment screw</i>	<i>Anti-clockwise rotation of adjustment screw</i>
Softer flow-rate and less over-rev	Greater acceleration and lower torque at low speeds

ATTENTION!

Do not tighten the adjustment screw for more than three and a half turns from the fully open position.



Application and tightening of valve control unit cover screws.



Application of expansion chamber cover and screws.

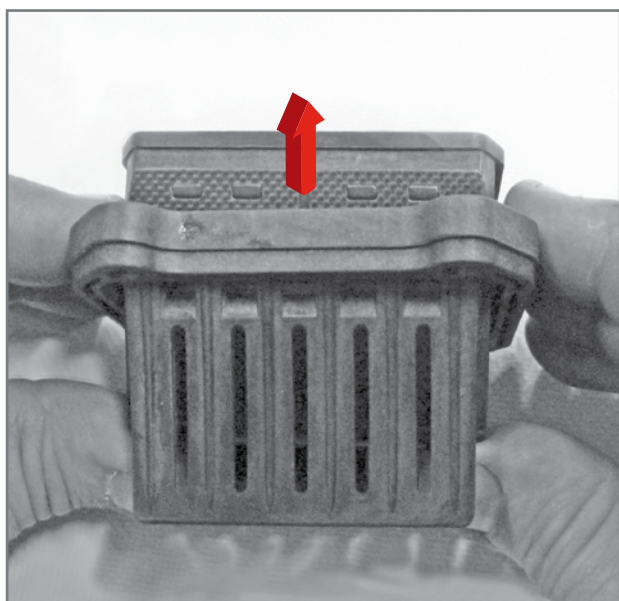
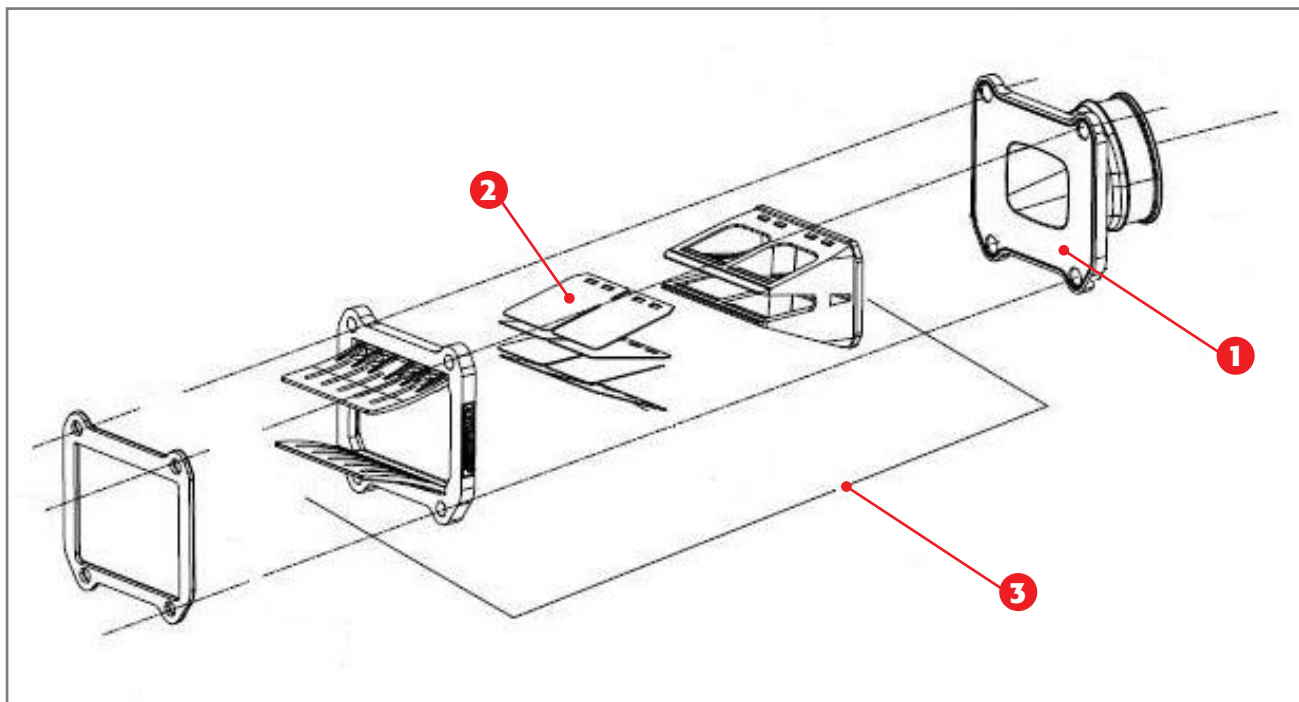
3.12.10 APPLICATION OF COVERS

Apply the valve control unit cover and relative screws. Tighten to the specified torque.

Apply the expansion chamber side gasket and cover. Apply the screws and tighten them to the specified torque.

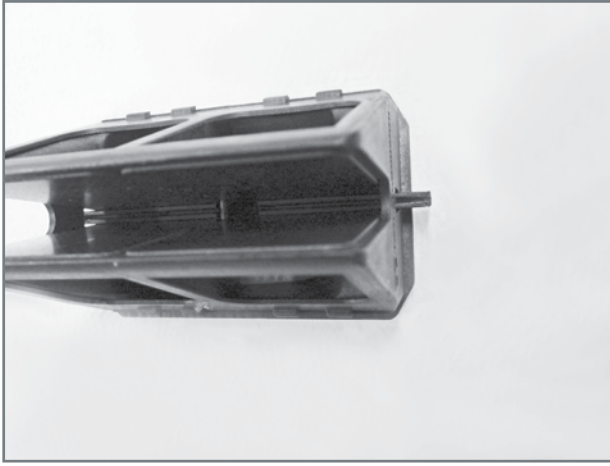
3.13 CHECK OF INTAKE UNIT AND ASSEMBLY

Check the manifold **1** is intact and without cracks. Otherwise replace it.
Check that the petals **2** of the reed valve **3** are intact and not deformed. If so, replace them.

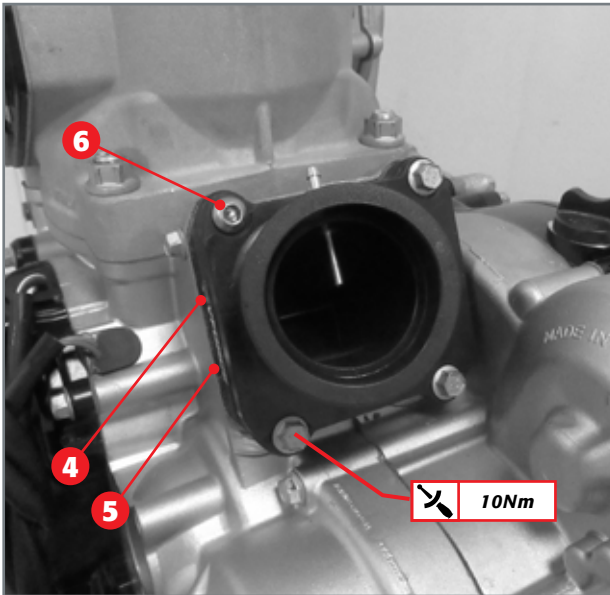


Disassembly of reed valve body.

Remove the petals by pressing the central body as shown in the picture and remove the outer petals.



Disassembly of central wedges. The extraction of only one is shown in figure.



Application of reed valve.

Remove the two central wedges and remove the petals.

Assemble the multiflap by following the just described procedure, in reverse order.

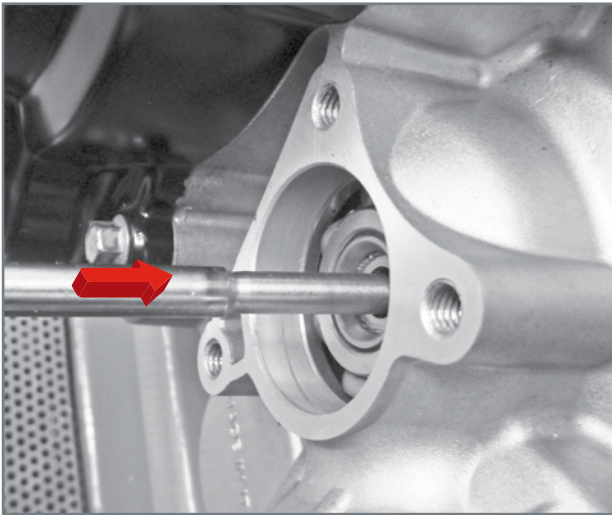
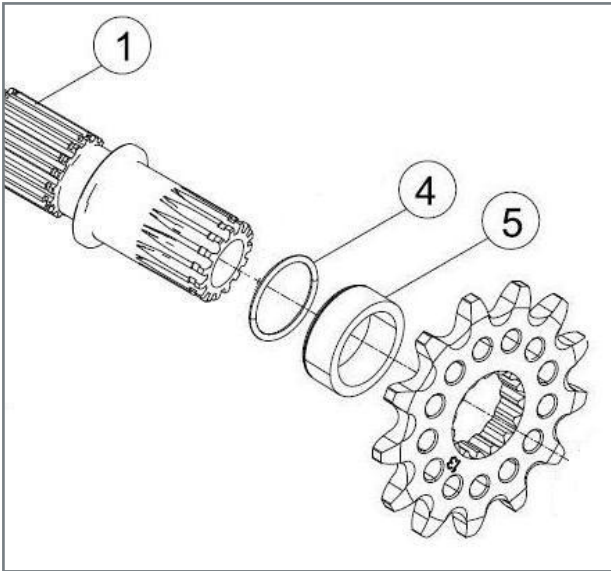
For assembly of the entire intake system, apply the manifold to the reed valve, the gasket 4, the spacer 5 and another gasket.

Tighten the screws 6 to the indicated torque.

3.14 INSERTION OF CLUTCH ROD AND PINION SPACER

Apply the pinion spacer 5 to the secondary of the gearbox 1, so that the groove is facing inside the engine.

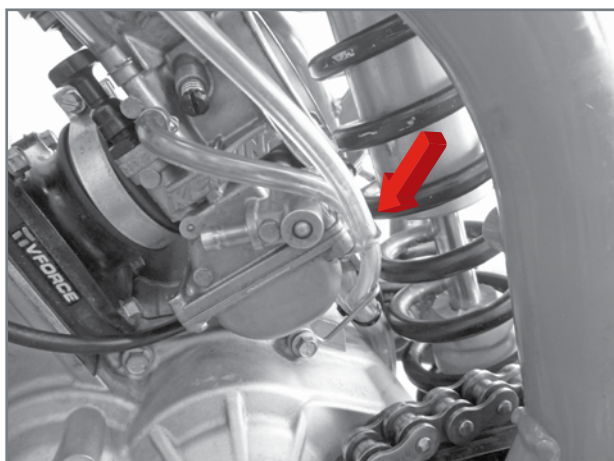
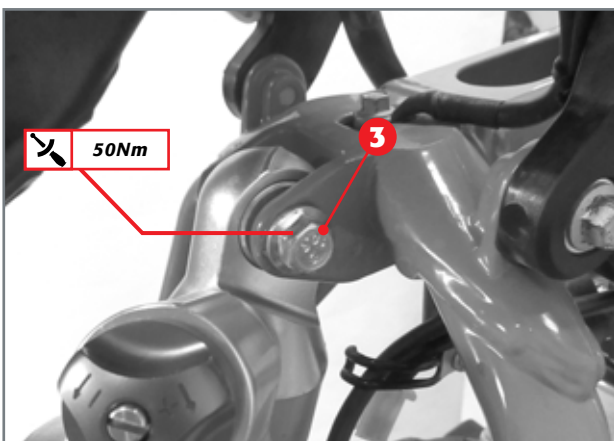
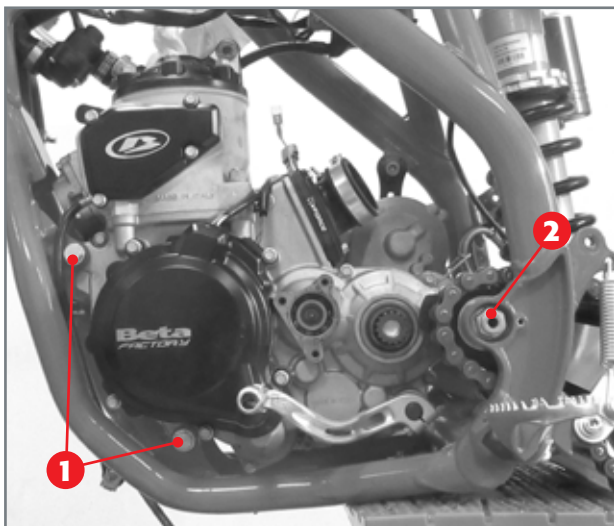
Note: check the O-ring 4 is present. If so, apply it.



Insertion of clutch rod.

Insert the gearbox rod in its seat from the lower diameter side.

4 ENGINE REASSEMBLY IN THE VEHICLE



- Insert the engine in the frame. We recommend insertion from the frame's left side.
- Insert the engine pins 1 and the swingarm pin 2.

Note: pay attention that the notch on the pin head is aligned with the notch on the frame.

- Insert the upper shock-absorber pin 3. Fasten the shock absorber pin to the indicated torque.
- Apply the spark plug and fasten it at 28Nm.

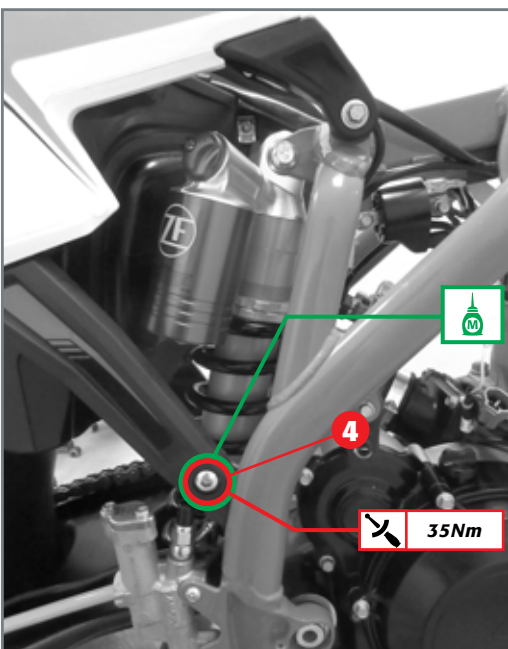
- Apply the carburetor to the manifold making the breather tubes pass in the appropriate metal cable gland.



- Apply the head connections by passing the gas cable and part of the electrical system, as shown in the figures.

- Fasten the nuts and bolts following the table below.

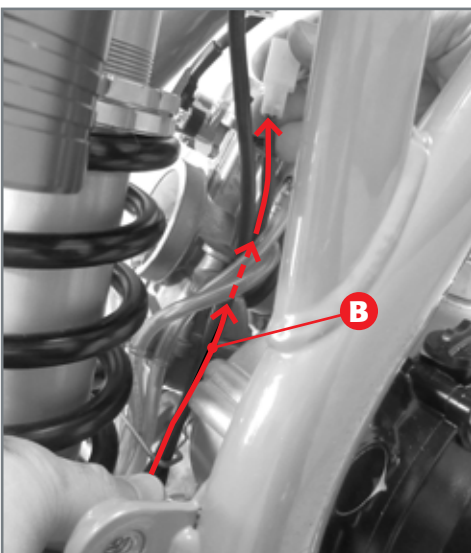
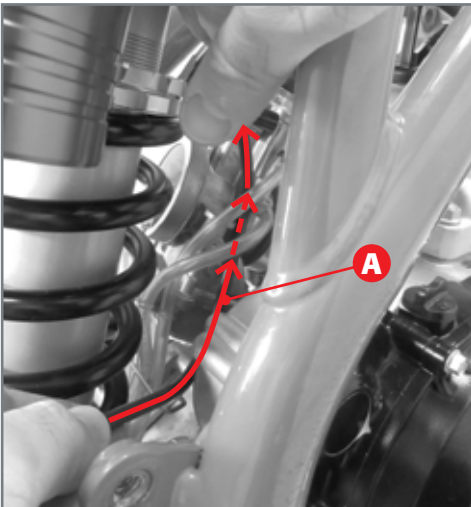
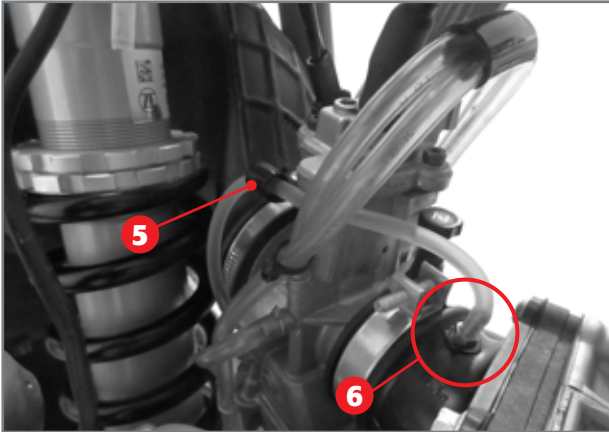
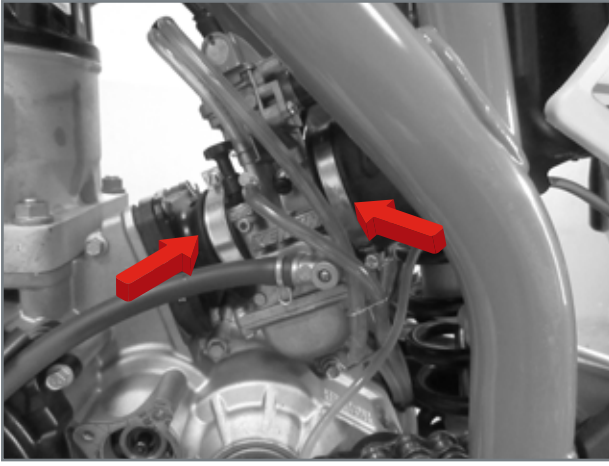
<i>Fixing</i>	<i>Screw</i>	<i>Torque [Nm]</i>	<i>Threadlocker</i>
<i>Head connection bracket to frame.</i>	<i>M8 x 16</i>	<i>35</i>	<i>Medium-resistance</i>
<i>Head connection brackets to engine</i>	<i>M8 x 65</i>	<i>35</i>	
<i>Engine pins</i>	<i>Special</i>	<i>45</i>	
<i>Swingarm pin</i>	<i>M16 x 245</i>	<i>125</i>	



- Rotate the filter box in its normal position. Apply the lower fixing screws 4 (one each side) after applying a medium-resistance threadlocker. Tighten to the specified torque.

Note: We recommend removing the upper screws (one each side) and apply a medium strength threadlocker.





- Make sure the filter box sleeve is correctly inserted inside the carburettor, fasten the two filter box side and manifold side straps.

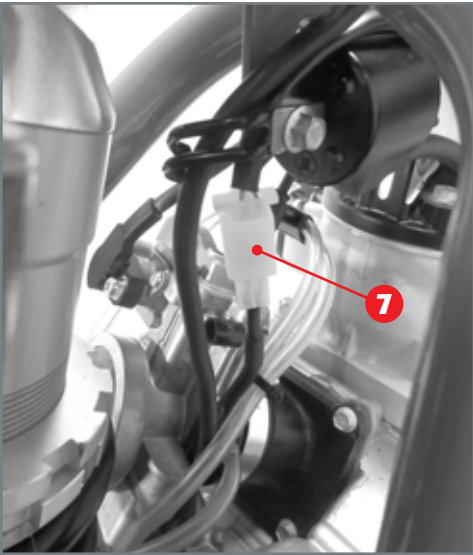
- Remove the cap applied to the mixer tube (see page 13).
- Slide the tube through the tube hole **5** and connect it to the nozzle **6** on the intake manifold.

ATTENTION!

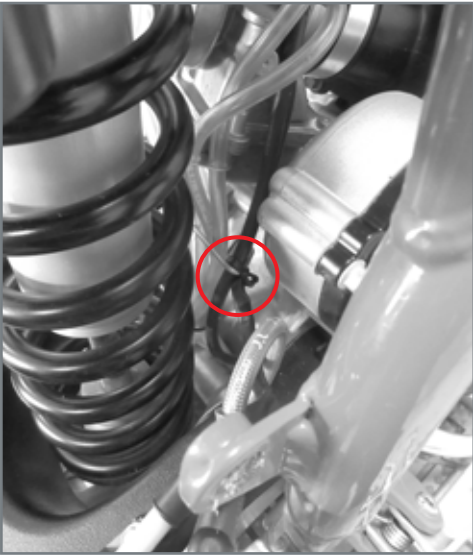
Ensure the tube is fitted all the way into the nozzle.

- Feed through the starter motor cable **A** behind the carburettor breather tubes as shown in the figure.

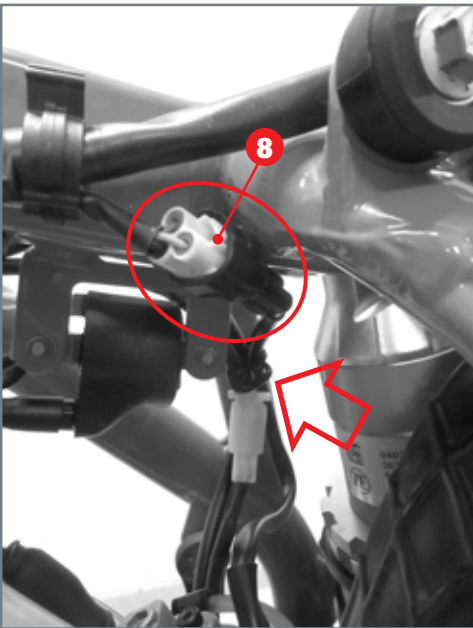
- Then feed through the brake light wiring **B** behind the carburettor vents.



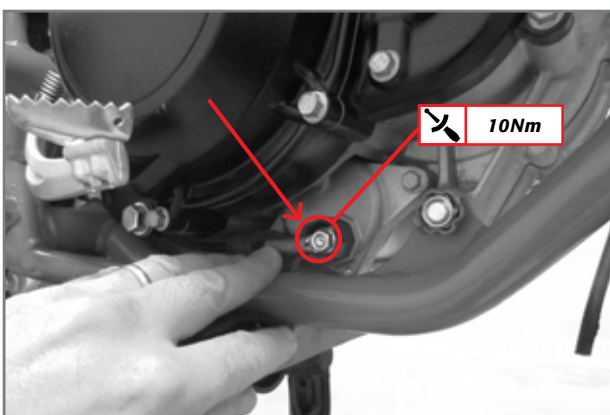
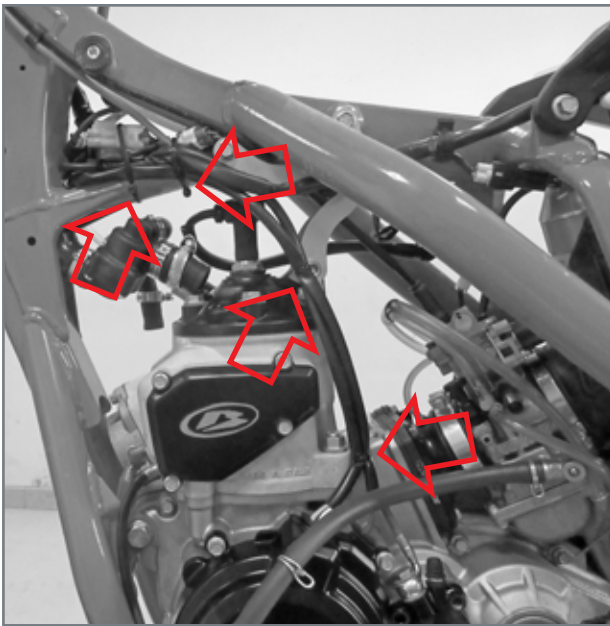
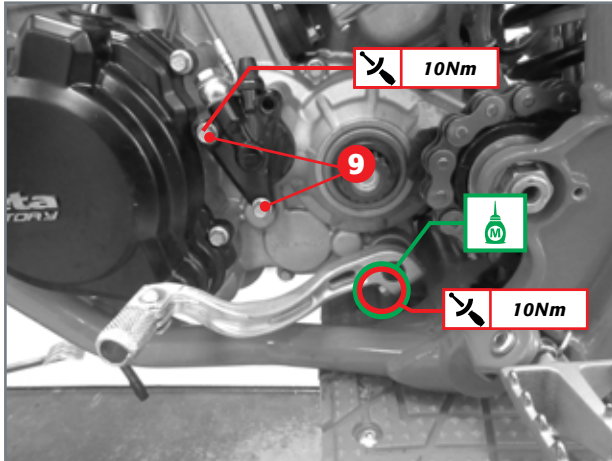
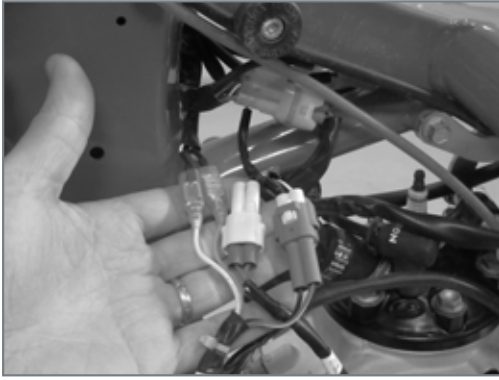
- Connect the connector **7**.



- Feed through the cables as shown; secure them to the metal cable gland as shown in the figure.



Connect the connector **8** to the electrical system and secure the cable as shown in the figure.



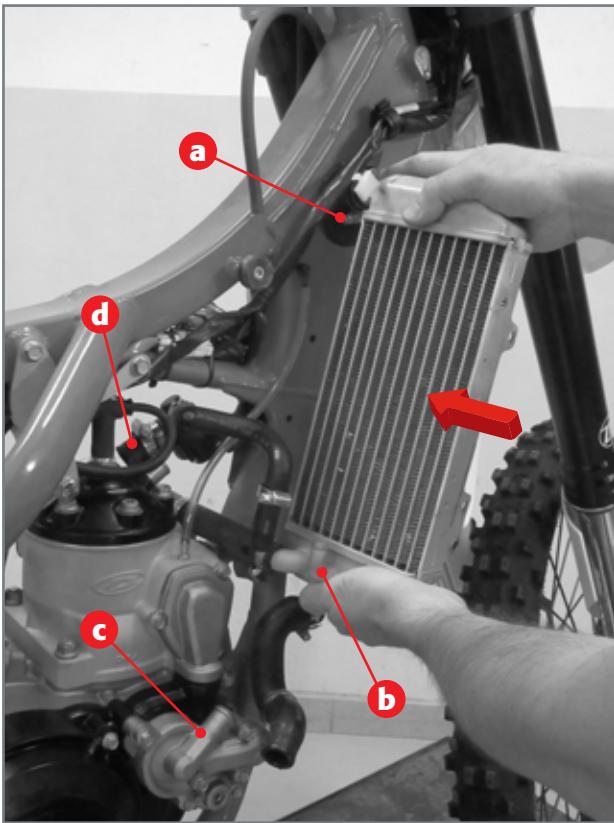
Connect the engine ignition unit to the electrical system.

The Faston connectors must be connected according to the corresponding colours (white cable with white cable, yellow cable with yellow cable).

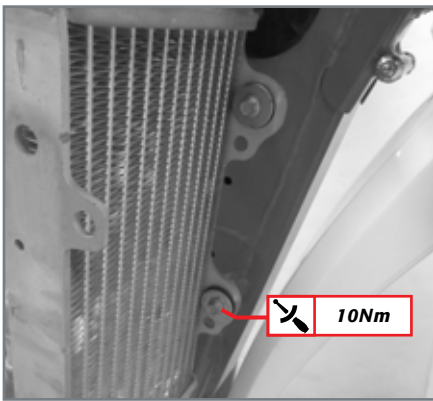
- Apply the unit clutch actuator to the two **9** fixing screws. Tighten to 10Nm.
- Apply the gearbox lever and fasten the screw at 10Nm by applying a medium strength thread-locker.

Secure the electrical system to the clutch pipe and frame as shown in the figure using plastic clamps.

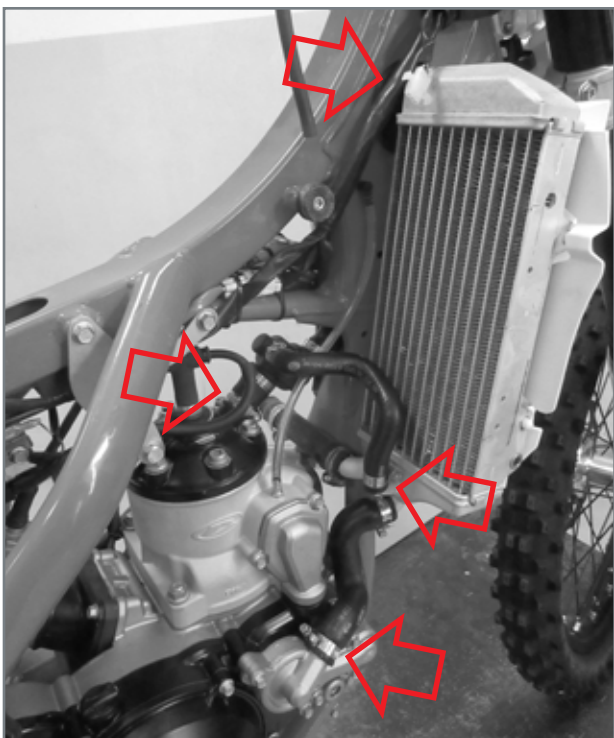
- Apply the start motor cable and tighten the nut to the indicated torque. Cover the connection using the specific protective cap.



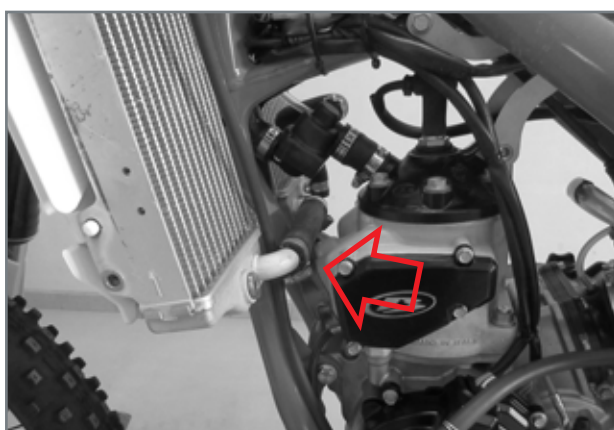
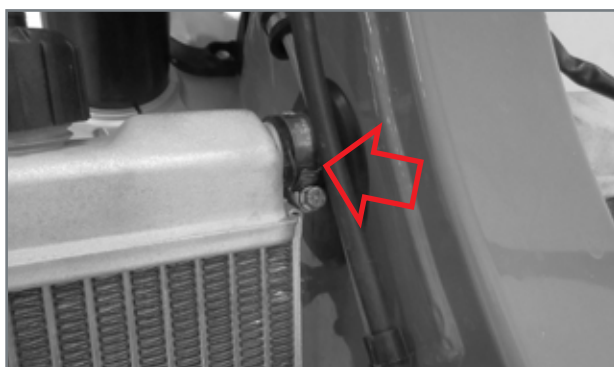
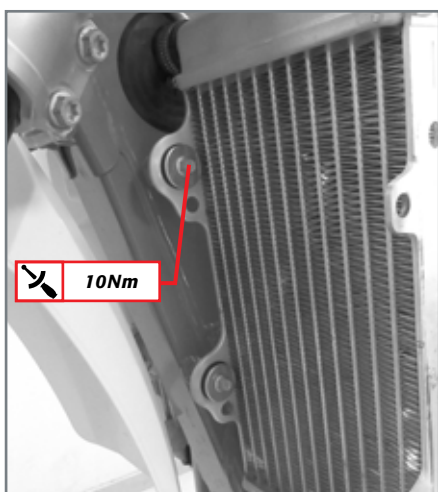
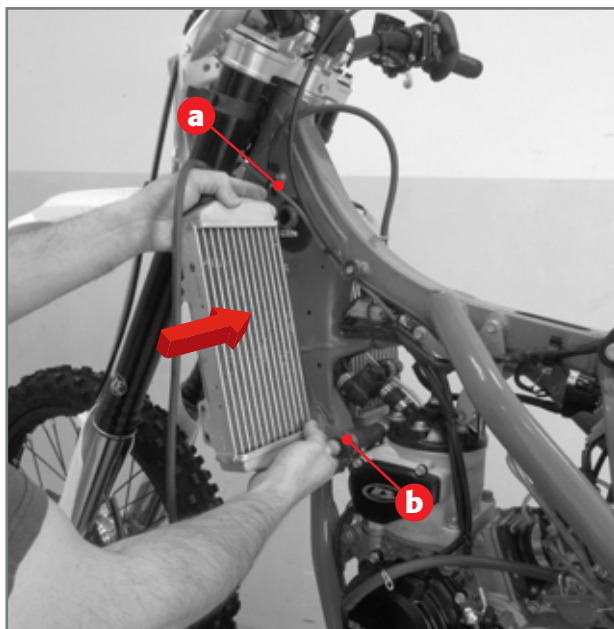
Apply the right radiator to the frame. The operation is easier if pipes are inserted observing the order shown in the figure.



Apply the fixing screws and tighten them to the specified torque.



Tighten the clamps indicated.



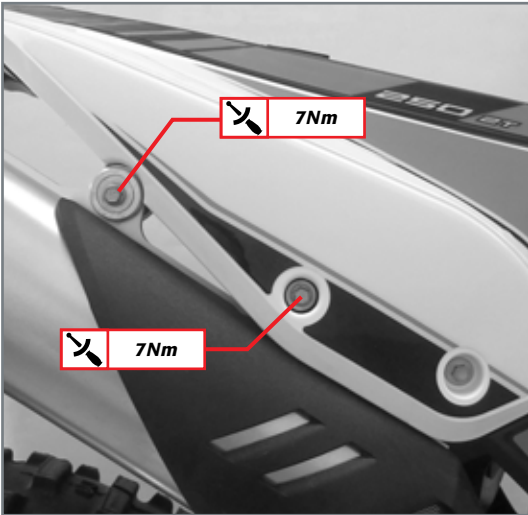
Apply the left radiator to the vehicle. The operation is easier if pipes are inserted observing the order shown in the figure.

Apply the fixing screws and tighten them to the specified torque.

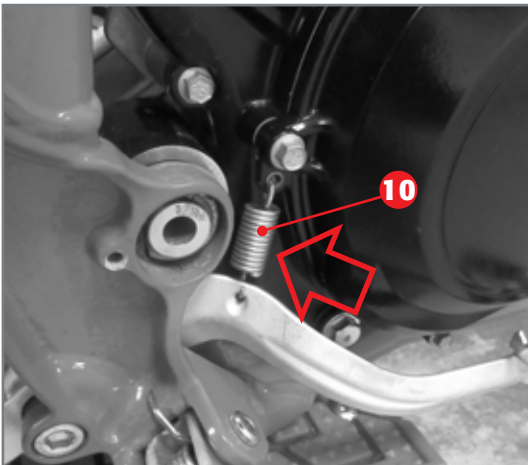
Tighten the clamps indicated.

Apply the radiator grids paying attention to their correct insertion.

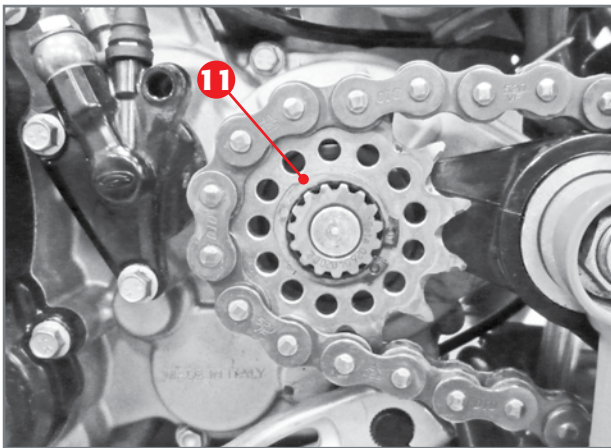
Insert the liquid coolant. Remember to keep the vehicle in vertical position. To optimize draining tilt the vehicle slightly to the right.



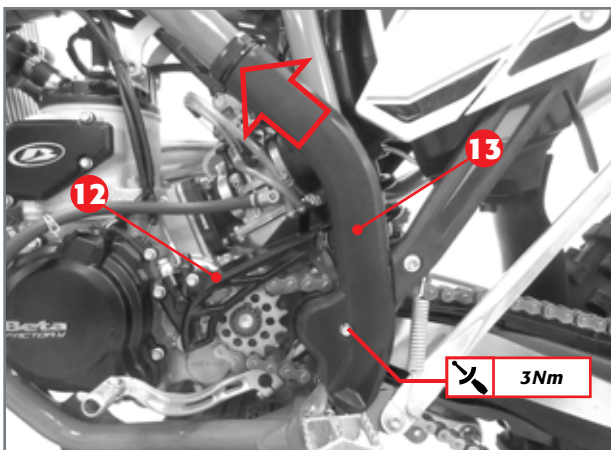
- Apply the exhaust expansion by first assembling the front springs and then applying the two fixing screws.
- Apply the silencer and fasten the two fixing screws to the indicated torque. Fasten the expansion fixing screws to the frame at 7Nm.



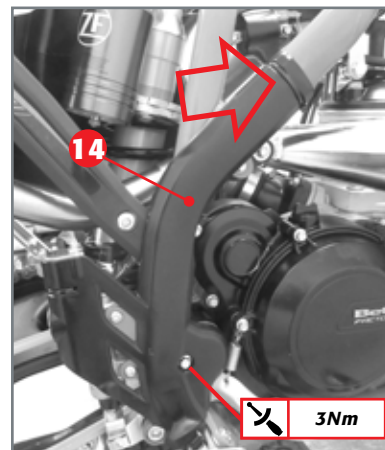
- Apply the Kickstart lever (optional). Apply the medium-strength threadlocker on the screw and tighten at 25Nm. Apply the brake pedal return spring **10**.

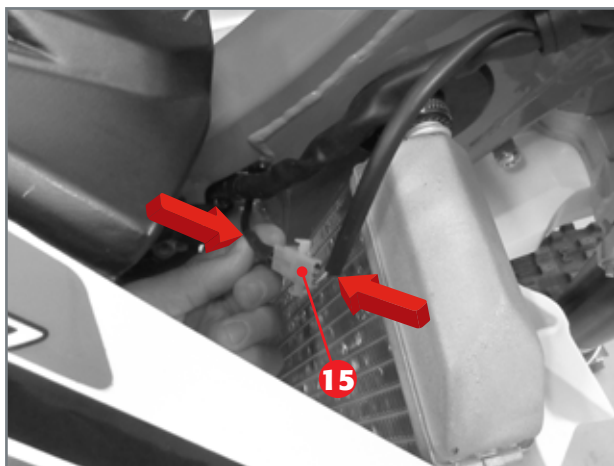


- Insert the pinion in the chain and fasten it onto the gearbox outlet shaft. Assemble the relative circlip **11**, checking it is in its seat.

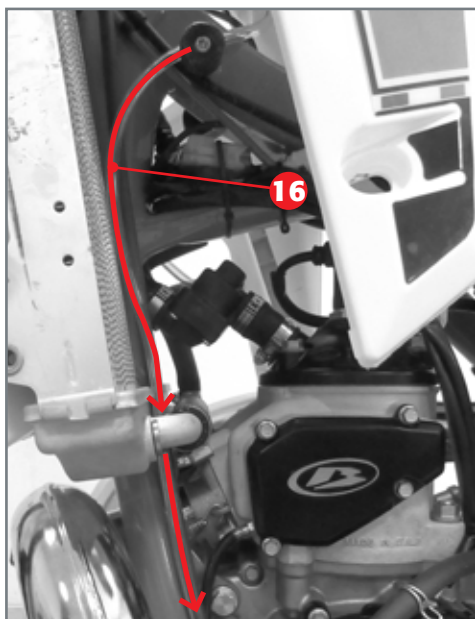


- Apply the pinion guard **12** and the frame side guards **13** and **14**. Fasten the screws to the indicated torque and apply the fixing straps between the side guards and frame.



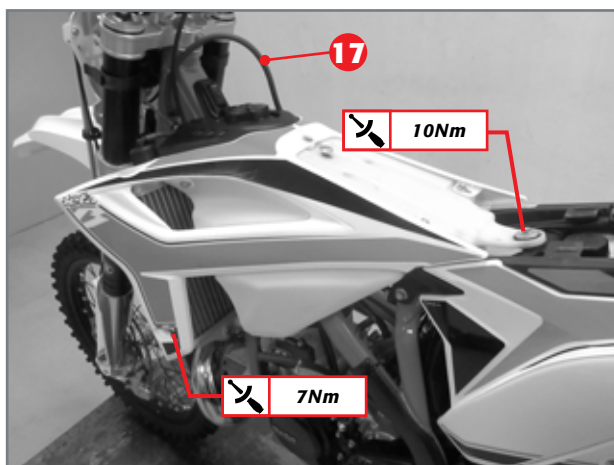


Place the tank on the vehicle and connect connector **15**.



Insert pipe **16** observing its path as shown in the figure.

Push the tank towards the front and downwards.



Tighten the tank screws to the indicated torque. Reconnect pipe **17** to the tank.



Reconnect the tank to the carburetor and secure the tube using the specific tube straps.

- Grease the rear fastener and tighten the screws at the indicated torque values.
- Apply the seat.

ATTENTION!

Disconnecting the mixer tube from the intake manifold could cause air to get into the tube itself. To avoid any lubrication problems with the thermal unit and crankshaft, use fuel with a 1% blend for the first fill-up.

Use the oil recommended on page 112 in the "Recommended lubricants and liquids" table.

- Apply the seat.
- Reapply the engine guard plate with the two fixing screws, once the motorcycle is removed from the stand. Tighten to the specified torque.

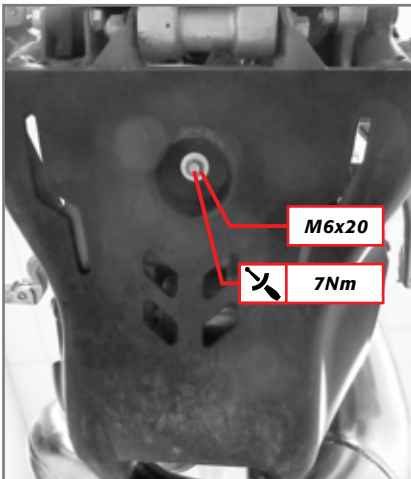
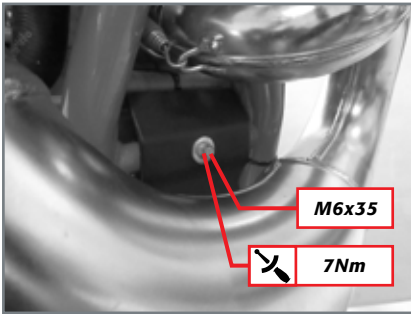


TABLE OF ENGINE COMPONENTS TIGHTENING TORQUES

<i>Fixing</i>	<i>Diameter x Length</i>	<i>Quantity</i>	<i>Threadlocker</i>	<i>Torque [Nm]</i>	<i>Notes</i>
Outer side right crankcase half					
<i>Kickstarter lever (optional)</i>	<i>M6 x 20</i>	<i>2</i>	<i>Medium-strength threadlocker</i>	<i>10</i>	<i>Optional</i>
Inner side right crankcase half					
<i>Desmodromic control bearing fixing</i>	<i>M5 x 8</i>	<i>1</i>	<i>Medium-strength threadlocker</i>	<i>6</i>	
Crankshaft					
<i>Securing the half-shoulders</i>	<i>M6 x 12</i>	<i>1</i>	<i>High-strength threadlocker</i>	<i>5</i>	
Gearshift					
<i>Stop cam</i>	<i>M6 x 30</i>	<i>1</i>	<i>Medium-strength threadlocker</i>	<i>10</i>	
<i>Gear stopping device lever</i>	<i>M6 x 20</i>	<i>1</i>	<i>Medium-strength threadlocker</i>	<i>10</i>	
<i>Gearshift lever</i>	<i>M6 x 25</i>	<i>1</i>	<i>Medium-strength threadlocker</i>	<i>10</i>	
Electric kickstarter device					
<i>Starter motor</i>	<i>M6 x 25</i>	<i>2</i>	<i>Medium-strength threadlocker</i>	<i>10</i>	
Pedal kickstarter device - Optional					
<i>Securing the lever</i>	<i>M8 x 26</i>	<i>1</i>	<i>Medium-strength threadlocker</i>	<i>25</i>	
<i>Kickstarter lever</i>	<i>M6 x 12</i>	<i>2</i>	<i>Medium-strength threadlocker</i>		
Clutch primary transmission					
<i>Primary transmission pinion nut</i>		<i>1</i>	<i>Medium-strength threadlocker</i>	<i>160</i>	
<i>Drum nut and clutch case</i>		<i>1</i>	<i>Medium-strength threadlocker</i>	<i>120</i>	<i>Do not use pneumatic device</i>
<i>Clutch cap</i>	<i>M6 x 25</i>	<i>6</i>		<i>10</i>	
<i>Clutch actuator</i>	<i>M6 x 20</i>	<i>2</i>		<i>10</i>	
<i>Clutch actuator</i>	<i>M6 x 30</i>	<i>1</i>		<i>10</i>	
<i>Outer clutch cover</i>	<i>M6 x 20</i>	<i>2</i>		<i>10</i>	
<i>Outer clutch cover</i>	<i>M6 x 50</i>	<i>3</i>		<i>10</i>	<i>In common with inner clutch cover</i>
<i>Inner clutch cover</i>	<i>M6 x 20</i>	<i>2</i>		<i>10</i>	
<i>Inner clutch cover</i>	<i>M6 x 30</i>	<i>2</i>		<i>10</i>	
<i>Inner clutch cover</i>	<i>M6 x 50</i>	<i>3</i>		<i>10</i>	<i>In common with outer clutch cover</i>
<i>Inner clutch cover</i>	<i>M6 X 60</i>	<i>2</i>		<i>10</i>	<i>In common with water pump cover</i>



<i>Fixing</i>	<i>Diameter x Length</i>	<i>Quantity</i>	<i>Threadlocker</i>	<i>Torque [Nm]</i>	<i>Notes</i>
Counterweight unit					
Counterweight	M8 X 15	1	Medium-strength threadlocker	30	
Water pump					
Cover	M6 x 60	2		10	<i>In common with inner clutch cover</i>
Cover	M6 x 30	2		10	
Impeller	M5 x 12	1	Medium-strength threadlocker	6	
Exhaust valve control					
Flange	M6 x 20	3	Medium-strength threadlocker	10	
Cover	M5 x 20	2	Medium-strength threadlocker	6	
Complete control rocker arm	M5 x 12	1	Medium-strength threadlocker	6	
Control lever	M5 x 20	1	Medium-strength threadlocker	6	
Booster bearings	M6 x 16	2	Medium-strength threadlocker	10	
Right cover	M5 x 16	3		6	
Left cover	M5 x 16	4		6	
Ignition system					
Spark plug	M14 x 1.25	1		28	
Pick-up unit	M5 x 12	2	Medium-strength threadlocker	6	
Stator	M6 x 25	2	Medium-strength threadlocker	10	
Flywheel nut		1	Medium-strength threadlocker	60	
Cover	M6 x 20	2		10	
Cover	M6 x 25	3		10	
Cylinder					
Cylinder nuts		4		30	
Head					
Head screws	M8 x 35	6		27	
Crankcase half					
Crankcase half screws	M6 x 50	10		10	
Crankcase half screws	M6 x 40	3		10	
Intake					
Reed valve	M6 x 25	4		10	
Oil drain					
Cap		1		15	



TABLE OF FRAME/ENGINE TIGHTENING TORQUES

<i>Fixing</i>	<i>Diameter x Length</i>	<i>Quantity</i>	<i>Threadlocker</i>	<i>Torque [Nm]</i>	<i>Notes</i>
<i>Engine pins</i>	<i>Special</i>	<i>2</i>		<i>45</i>	
<i>Swingarm pin</i>	<i>M16 x 245</i>	<i>1</i>		<i>125</i>	
<i>Head connection bracket to frame. Front fixing</i>	<i>M8 x 16</i>	<i>4</i>	<i>Medium-strength threadlocker</i>	<i>35</i>	
<i>Head connection brackets to engine</i>	<i>M8 x 65</i>	<i>1</i>		<i>35</i>	

TABLE OF SUPERSTRUCTURE TIGHTENING TORQUES

<i>Fixing</i>	<i>Diameter x pitch [mm]</i>	<i>Length [mm]</i>	<i>Quantity</i>	<i>Threadlocker</i>	<i>Torque [Nm]</i>	<i>Notes</i>
<i>Tank to the frame (rear fixing)</i>	<i>M6 x 1</i>	<i>30</i>	<i>1</i>		<i>10</i>	<i>Application of grease</i>
<i>Tank side panel to the radiator</i>	<i>M6 x 1</i>	<i>20</i>	<i>2</i>		<i>7</i>	



RECOMMENDED ENGINE MAINTENANCE

The required engine maintenance only depends on the level of use and respect of the periodical inspections. The following intervals refer to normal use, as long as the engine has not worked in extraordinary conditions and that periodical inspections and interventions have been correctly carried out.

	30h	60h	90h
Coated clutch discs	I	-	R
Clutch springs length	I	-	R
Gearbox bearings	-	-	R
Case / clutch hub	I	-	-
Cylinder	-	I	-
Piston and segments	-	R	-
Connecting rod	-	-	R
Crankshaft bearings	-	-	R
Gearbox superficial appearance	-	-	I
Water pump oil seal	-	-	R
Exhaust valve	-	I/C	-
Reed valve shims	-	I	-
Spark plug	-	R	-

I = INSPECT AND REPLACE IF REQUIRED **R** = REPLACE **C** = Cleaning

RECOMMENDED LUBRICANTS AND LIQUIDS

APPLICATION	PRODUCT	QUANTITY
Gearbox and clutch	Liqui Moly racing 10W50	850ml*
Coolant liquid	Liqui Moly coolant ready mix raf12 plus	1300ml*
Mixer tank	Liqui Moly 2-STROKE MOTOR OIL, SELF-MIXING	550ml*
Fuel tank (only for running-in)	Liqui Moly 2-STROKE MOTOR OIL, SELF-MIXING	1% mix

* Refer to Use and Maintenance Manual for levels





Beta
motorcycles

BETAMOTOR S.P.A.
PIAN DELL'ISOLA, 72
50067 RIGNANO SULL'ARNO (FIRENZE) ITALIA
INFO@BETAMOTOR.COM WWW.BETAMOTOR.COM